

# MECHANICAL

## Scale Parts

# 8



*An ammo box used for shipping parts in 1946.*

**RICE LAKE**<sup>®</sup>  
WEIGHING SYSTEMS

To be the best by every measure<sup>®</sup>

[www.ricelake.com](http://www.ricelake.com)

# Table Of Contents

## MECHANICAL SCALE PARTS REPLACEMENT PARTS & KITS

### **Toledo®**

Price Index .....	14-15
Cross Reference.....	16-17
Individual Scale Parts.....	18-48
Kit Price Index .....	50
Kits.....	51-64

### **Fairbanks®**

Price Index .....	66-68
Cross Reference.....	69-73
Individual Scale Parts.....	74-126
Kit Price Index/Cross Reference .....	128
Kits.....	129-166

### **Howe**

Price Index .....	168
Cross Reference.....	169-170
Individual Scale Parts.....	171-196
Kit Price Index/Cross Reference .....	198
Kits.....	199-213

### **Cardinal®- Murphy**

Price Index .....	216
Cross Reference.....	217
Individual Scale Parts.....	218-229
Kit Price Index/Cross Reference .....	232
Kits.....	233-243

### **Thurman**

Price Index .....	246
Cross Reference.....	246
Individual Scale Parts.....	247-254
Kit Price Index .....	256
Kits.....	257-264

### **Hardy**

Price Index .....	266
Cross Reference.....	267
Individual Scale Parts.....	268-275
Kit Price Index/Cross Reference .....	278
Kits.....	279-281

### **Miscellaneous**

Baker/Weld-Tec.....	284-288
Canadian Scale Co. Ltd.....	289
Cardinal SCA Load Cell.....	290
Durline/Derlein .....	291-293
Electronic Flexures.....	294
Fairbanks Rocker Column Load Cells .....	295
Hardin .....	296
Rex.....	297
Rice Lake Load Cell Cups.....	298
Southwestern .....	299
Tip Connection Bolts .....	300
Toledo Digital Load Cells.....	301
Unibridge.....	302
Weighbridge.....	302
Weightronix .....	302
Winslow.....	303-307

### **Rice Lake Weighing**

Beam Scales .....	310-316
Pipe Lever Scales.....	318-325
Chairs/Stands/Trunnions & Bearings .....	326
Pipe Lever Stands .....	328
Girder Chairs .....	329
Hopper Scale Kits.....	332-335

### **Rice Lake/Powell**

Individual Powell Scale Parts .....	338-340
Portable & Pit Scales Kits .....	342-347

### **Technical support**

Pivots and Bearings.....	350-359
--------------------------	---------

# Shipping Information

FREIGHT SERVICES OFFERED	"SMALL PACK"	LTL	TRUCK LOAD
Nationwide Same Day Service	Y*	Y*	N
Same Day, Counter to Counter***	Y	N	N
Next Day (AM)	Y	Y	Y**
Next Day (END OF DAY)	Y	Y	Y**
2 Day	Y	Y	Y
3 Day	Y	Y	Y
Ground	Y	Y	Y
Canada	Y	Y	Y
Mexico	Y	Y	Y
Express Freight. (Air-over 150 lbs)	Y	Y	N
International (Sea)	Y	Y	Y
International (Air)	Y	Y	N

\* Subject to cost/distance

\*\* Subject to distance

\*\*\* Subject to flight availability and proximity of nearest airport

## Same Day Services

These services do not carry the same service guarantees that standard delivery schedules do.

## Determining Air Shipping Rates

When shipping via air services, carriers require that the shipping weight be determined by the greater of the actual weight of the boxed product or its dimensional shipping weight. The formula for calculating dimensional shipping weight is as follows:  $L \times W \times H / 166$  for domestic air shipments and  $L \times W \times H / 139$  for international air shipments. RLWS takes the added precaution of double boxing some of our electronic products and balances. This may result in dimensional weight charges by the carrier when shipping by air. Even with this added precaution, we suggest that you always ship high precision and fragile products via air service.

## Small Parcel Services

We ship with internationally recognized parcel carriers based on delivery time and services offered.

## Forwarders

We can provide service through a forwarder of our choice, or select one of your preferred forwarders.

AIR FREIGHT: UPS Supply Chain Solutions, Expeditors and DSV

OCEAN FREIGHT: Expeditors, Intermodal Caribbean Express (I.C.E) and Crowley Int'.

Overseas ocean freight. Call for estimated delivery time.

## TRUCKING SERVICES

### LTL

Full service LTL coverage for the Continental United States, Puerto Rico, Canada and Mexico.

### Various Full Truckload Providers

For the contiguous United States, Alaska, Canada and Mexico





# Signed Sealed Delivered... It's yours!

**On average, regardless of carrier, 2% of all freight is damaged in transit. Don't let the delivery person slip away. And don't get left holding the bag.**

Rice Lake merchandise is packaged carefully to arrive at your location on time, intact, and in perfect working order. We don't ship damaged goods, and we work with many of the most reputable national carriers. But know this—anytime a package is sent, as many as 2 out of 100 will be mishandled. To be sure your business doesn't take the hit for someone else's mistake—INSPECT before you sign.

Whether or not the product itself has been damaged, remember—your signature accepts the delivery as is, releasing the carrier and supplier of all liability, unless you take action:

- Make note of any damage to the packaging, no matter how slight, including re-packaging, water damage, scratches to paint, etc. Take photos if possible to back up any necessary claims.
- Do not accept or sign for as “unchecked”—this is not an acceptable disclaimer.
- Where damage to contents is obvious, take photos and refuse the shipment.

Notify your supplier immediately with the claim number provided by the driver. Noting the condition of your delivery upon receipt is the only recourse when making a damage claim. Follow these steps and you'll get replacement merchandise faster, keep costs down, and ensure the carrier is held responsible for their mistakes, not you, and not your supplier.

**RICE LAKE**<sup>®</sup>  
WEIGHING SYSTEMS

To be the best by every measure<sup>®</sup>

800-472-6703  
[www.ricelake.com](http://www.ricelake.com)  
[m.ricelake.com](http://m.ricelake.com)

# Terms and Conditions

The terms "Buyer," "Authorized Reseller," and "Customer" as used herein, shall mean the party placing the purchase order with Rice Lake Weighing Systems. No contractual relationship between Rice Lake Weighing Systems and said party shall arise until such time as a purchase order has been accepted by Rice Lake Weighing Systems and such acceptance has been indicated on a written acknowledgment. Tenders which do not stipulate an acceptance period shall not be binding. Orders shall be subject to Rice Lake Weighing Systems' standard terms and conditions as printed below, subject to correction for clerical errors.

These Sales Terms and Conditions shall be binding if declared applicable in the tender or in the order acknowledgement. Any conditions stipulated by the Buyer which are in contradiction to these Sales Terms and Conditions shall only be valid if expressly acknowledged by Rice Lake Weighing Systems in writing.

## 1. Prices

(a) Rice Lake Weighing Systems (RLWS) prices are net 30 days EX Works RLWS plant. Orders are subject to approval of our credit department with rights reserved to change or withdraw credit terms without notice and to terminate any orders when invoices for work done thereon have gone unpaid for 60 days.

(b) Prices do not include taxes of any kind by federal, state, municipality or other governmental authority, which RLWS may be required to collect or pay with respect to the sale or shipment of goods sold hereunder. Regardless of when any such taxes are determined or become payable, all taxes would be the responsibility of the Customer and would be in addition to the prices quoted hereon.

(c) This quotation is made upon the basis of the cost of materials and labor as of the date of this quotation. A change in such costs shall give RLWS the right to alter prices to reflect such changes in cost.

## 2. Shipment, Title, Risk of Loss

(a) All shipments are EX Works point of shipment. Title and risk of loss or damage passes to the Customer upon presentation of the goods to the Customer's carrier at RLWS's facility, except that title and risk of loss or damage as to Customer's partially manufactured parts and raw materials delivered to RLWS, and as to jigs, fixtures and tools specially ordered for the Customer shall at all times remain with the Customer.

(b) RLWS does not carry fire insurance upon jigs, fixtures and tooling built by RLWS for Customers or supplied to RLWS by Customers, nor does RLWS carry insurance upon raw materials supplied to RLWS by Customers. Customers assume all risk of loss, damage or destruction of jigs, fixtures, tooling or raw materials belonging to the Customer in RLWS custody caused by fire, water, gas, acts of God, strikes, insurrection, riots or by acts of the civil or military authorities and whether or not such loss, damage or destruction was the result of our negligence or misconduct or that of our agents or employees. The Customer agrees to indemnify and hold RLWS harmless from all direct and consequential costs and damages resulting from such loss.

(c) Except as hereinabove stated, we agree to maintain all jigs, fixtures and tooling built by RLWS in working condition for their normal life only, except that our liability in this respect shall not extend more than one year after the completion of the most recent production order.

## 3. Quantity, Materials and Tolerances

(a) Unless dimensions are limited by a specific tolerance, it is understood that the production variations as published by RLWS will be acceptable.

(b) RLWS will not be responsible for color, thickness variations, or flaws in sheets or parts from which fabrications are made, nor for other material variations beyond our control.

(c) RLWS assumes no responsibility for loss or damage occurring by reason of delay or inability to deliver caused by fires, strikes, accidents, embargoes, car shortages, delays of carriers, insurrection, riots, acts of the civil or military authorities, nor will we assume responsibility for any reason whatever for damages of any kind on account of failure to deliver at the time specified. The Customer shall indemnify and hold RLWS harmless from all direct and consequential costs and damages resulting from such loss or delay.

(d) Unless otherwise specified, delivery of 10 percent more or less of completed parts than the quantity specified shall constitute fulfillment of this order and any excess not exceeding 10 percent shall be accepted and paid for by the Customer.

(e) In the event any raw material specified for incorporation into the product covered by this proposal shall become unavailable, RLWS shall notify the Customer and the Customer may direct RLWS to substitute available material for that originally specified, it being understood and agreed that the Customer shall assume any and all consequences resulting from such substitution.

## 4. Patents

If this quotation covers parts made specifically for the Customer, the Customer agrees to indemnify and hold RLWS harmless against any loss resulting from infringement of patents or trademarks, or from claims of such infringements and shall pay all legal and defense costs incurred by RLWS in the defense of such actions.

## 5. Software

Unless specifically otherwise stated, any and all software associated or part of any product sold, loaned on trial or demonstration to the Customer is to be considered proprietary to RLWS. The Customer agrees not to duplicate for distribution or to sell or distribute in any way without the prior written consent of RLWS.

## 6. Changes And Cancellation: Rejection, Claims

(a) Orders placed with RLWS are not subject to cancellation, change or reduction in amount, or suspension of deliveries except with RLWS's consent and upon terms that indemnify RLWS against loss. Unless confirmed in writing, all verbal agreements are void.

(b) RLWS will not be responsible for changes in design, deliveries or other instructions, unless they are furnished in writing. The Customer agrees to pay for all tooling charges caused by changes in design or specifications.

# Terms and Conditions

(c) Samples submitted shall be deemed approved unless written rejection is received within two weeks of submission.

(d) Manufactured parts will be shipped and billed as they are produced.

(e) Claims for shortage or rejections for defects must be made within 10 days of receipt of goods. Credit will be rendered on such defective parts after we have had an opportunity to inspect them, provided they are returned to our factory, transportation charges prepaid, within 30 days, and provided they have not been altered or defaced in any way.

## 7. Tooling and Designing

(a) In consideration of the engineering service necessary in the designing of jigs, fixtures and tooling not being charged for, but being quoted on the basis of labor and material only, and not at their fair market value, such jigs, fixtures and tooling shall remain in our possession for at least one year. Thereafter, the Customer desiring delivery of such jigs, fixtures and tooling shall pay an engineering charge of 50 percent of the original price of said jigs, fixtures and tooling and accept same as is.

(b) When requested, we will submit suggestions concerning design and construction of parts, but we will not accept responsibility of liability for the practicability of these suggestions if adopted by the Customer.

## 8. Delivery and Adjustment to Price

(a) If the Customer requests that the goods be manufactured and shipped on a date (or dates) earlier than originally agreed to by RLWS and the Customer, and RLWS agrees to the earlier date (or dates), any increase in the cost of performance incurred by RLWS resulting from earlier manufacture and shipment will be included in an adjustment of the purchase price to be made by RLWS and will be paid by the Customer.

(b) Should shipments be held beyond scheduled date for convenience of the Customer, goods will be billed and charges will be made for warehousing, trucking, and other expenses incident to such delay. Reasonable and sufficient care is taken by RLWS in crating its goods. RLWS cannot be held responsible for breakage after having received "in good order" receipts from the transportation carrier. All claim for loss and damage must be made by the Customer to the carrier, but we will assist insofar as practical in securing satisfactory adjustment of such claims.

## 9. Payment and Liens

(a) All invoices shall be due and payable when submitted for payment in accordance with the revisions of RLWS terms. No withholding of funds, back charges or credits against amounts otherwise due to RLWS will be permitted unless specifically agreed to in writing by RLWS. Settlement of any amounts due Customer will be negotiated as separate items and not as offsets against amounts otherwise due to RLWS from the Customer for products sold hereunder.

(b) Any unpaid account for work done shall constitute a lien on any jigs, fixtures, manufactured parts, and raw materials in RLWS possession. In the event any account remains open and unpaid for 90 days, RLWS reserves the right to use the Customer's jigs and fixtures to make parts therefrom, and to sell or dispose of manufactured parts and raw materials.

(c) The Customer shall not assign or transfer any rights or obligations arising from this proposal, or monies payable thereunder, without the prior written consent of RLWS, and any such assignment or transfer made without such written consent shall be deemed null and void.

## 10. Additional Provisions

(a) Errors—Stenographic and clerical errors are subject to correction.

(b) These terms and conditions constitute the entire contract between the Customer and RLWS, transcending any oral arrangements or representations which may be inconsistent therewith.

(c) This quotation is made under and shall be governed by the laws of the state of Wisconsin.

## 11. Resale of Rice Lake Weighing Systems Products

In order to ensure compliance with the U.S. Export Administration Regulations we ask you to comply with the following:

(a) The Customer shall not export or re-export Rice Lake Weighing System products, either directly or indirectly, in contravention of any applicable law, statute or regulation and will first obtain any required licenses or authorizations from the relevant government authority when necessary as prescribed by law.

(b) The Customer confirms that it is familiar with and complies with the relevant national and international export control regulations and embargo regulations. The Customer furthermore confirms that it is in particular familiar with and complies with the U.S. Department of Commerce, Export Administration Regulations; U.S. Department of Treasury, OFAC Sanctions; the U.S. Department of Defense, ITAR requirements and the U.S. Department of State regulations.

(c) If deemed necessary, Rice Lake Weighing Systems, in individual cases may make further requests from the Customer for information required for export compliance.

(d) Should it be necessary for the Customer to obtain an export license from the appropriate authorities pursuant to the aforementioned regulations, the Customer shall apply for such a license autonomously and at their own expense.

**The foregoing warranties are exclusive and in lieu of all other express and implied warranties whatsoever, including but not limited to implied warranties of merchantability and fitness for a particular purpose. RLWS shall not be subject to any other obligations or liabilities whatsoever with respect to parts manufactured or supplied by RLWS or services rendered by it.**

**Anything herein to the contrary notwithstanding, RLWS shall not be liable for incidental and consequential damages, and in substitution for all remedies which the Customer may have under any applicable law. The Customer's sole and exclusive remedy against RLWS for any breach of warranty or any other breach relating to goods delivered pursuant hereto shall be for repair or replacement (at RLWS's option) of the goods or parts effected by such breach.**

# Warranty and Limitation of Liability

## Warranties

### Standard Product Limited Warranty

Rice Lake Weighing Systems (Rice Lake) warrants that all Rice Lake brand equipment and systems properly installed by an Authorized Reseller or original equipment manufacturer (OEM) will operate per written specifications as confirmed by the authorized reseller/OEM and accepted by Rice Lake. All systems and components are warranted against defects in materials and workmanship for one (1) year from the date of shipment from Rice Lake, unless otherwise stated in the product catalog or manual.

Rice Lake warrants that the equipment sold hereunder will conform to the current written specifications authorized by Rice Lake. Rice Lake warrants the equipment against faulty workmanship and defective materials. If any equipment fails to conform to these warranties, **Rice Lake will, at its option, repair or replace such goods returned within the warranty period subject to the following conditions:**

- Upon discovery by the Customer of such nonconformity, Rice Lake will be given prompt written notice with a detailed explanation of the alleged deficiencies.
- Individual electronic components returned to Rice Lake for warranty purposes must be packaged to prevent electrostatic discharge (ESD) damage in shipment. Packaging requirements are listed in the publication, "Protecting Your Components From Static Damage in Shipment," available from the Rice Lake Equipment Return Department.
- Examination of such equipment by Rice Lake confirms that the non-conformity actually exists, and was not caused by accident, misuse, neglect, alteration, improper installation, improper repair, or improper testing. Rice Lake shall be the sole judge of all alleged nonconformities.
- Such equipment has not been modified, altered, or changed by any person other than Rice Lake or its duly authorized repair agents.
- Rice Lake will have a reasonable time to repair or replace the defective equipment. The Customer is responsible for shipping the product to Rice Lake. Rice Lake is responsible for shipping the product back to the Customer.
- In no event will Rice Lake be responsible for travel time or on-location repairs, including assembly or disassembly of equipment. Nor will Rice Lake be liable for the cost of any repairs made by others.
- On all intrinsically safe equipment, any field repair or modifications voids any and all warranties expressed or implied and void F.M. approval.
- Any loose hardware, screws, washers or non-ESD bags of hardware stored inside indicator will void warranty. This could cause harm to repair technician or damage CPU board.
- If just the board is sent in for repair, the serial number of the product the board is from should accompany the board.

**These warranties exclude all other warranties, expressed or implied, including without limitation warranties of merchantability or fitness for a particular purpose. Neither Rice Lake nor the authorized reseller will, in any event, be liable for incidental or consequential damages at the point of use.**

**Rice Lake and the Customer agree that Rice Lake's sole and exclusive liability hereunder is limited to repair or replacement of such goods. In accepting this warranty, the Customer waives any and all other claims to warranty.**

**Should the seller be other than Rice Lake, the Customer agrees to look only to the seller for warranty claims.**

No terms, conditions, understanding, or agreements purporting to modify the terms of this warranty shall have any legal effect unless made in writing and signed by a corporate officer of Rice Lake and the Customer.

### Custom Software Limited Warranty

Rice Lake Weighing Systems (Rice Lake) warrants that (a) the software will perform in accordance with the specification and accompanying written endorsement by the Customer for a period of 90 days from the date of receipt; (b) any hardware accompanying the software will be free from defects in materials and workmanship under normal use and service for a period of one (1) year from the date of shipment from Rice Lake; and (c) the Customer should perform inspection and testing of software products prior to installation.

This limited warranty is void if failure of the software or hardware has resulted from accident, abuse, misapplication, or incorrect Customer specification. Any replacement software will be warranted for the remainder of the original warranty period or 30 days, whichever is longer.

If the software fails to conform to these warranties, Rice Lake will, at its option, repair or replace such goods returned within the warranty period subject to the following conditions:

- Upon discovery by the Customer of such nonconformity, Rice Lake will be given prompt written notice with a detailed explanation of the alleged deficiencies.
- Examination of software by Rice Lake confirms that the nonconformity exists, and was not caused by accident, misuse, neglect, alteration, improper installation, improper repair, improper testing, or incorrect Customer specification. Rice Lake shall be the sole judge of all alleged nonconformities.
- Rice Lake will have a reasonable time to repair or replace the software. The Customer is responsible for shipping charges both ways.
- In no event will Rice Lake be responsible for travel time or on-location repairs, including assembly or disassembly of equipment. Nor will Rice Lake be liable for the cost of any repairs made by others.

**These warranties exclude all other warranties, expressed or implied, including without limitation warranties of merchantability or fitness for a particular purpose. Neither Rice Lake nor the authorized reseller will, in any event, be liable for incidental or consequential damages at the point of use.**

**Rice Lake and Customer agree that Rice Lake's sole and exclusive liability hereunder is limited to repair or replacement of such goods. In accepting this warranty, the Customer waives any and all other claims to warranty.**

**Should the seller be other than Rice Lake, the Customer agrees to look only to the seller for warranty claims.**

No terms, conditions, understanding, or agreements purporting to modify the terms of this warranty shall have any legal effect unless made in writing and signed by a corporate officer of Rice Lake and the Customer.

# Warranty and Limitation of Liability

## Return Policies

Our commitment to our Customers states that if any standard product purchased from Rice Lake does not work, or if the incorrect product is shipped, **return it in its original shipping carton with all accessories in “like new” condition** for full credit or replacement within 30 days of purchase. **Electronic components returned to Rice Lake must be properly packaged to prevent electrostatic discharge (ESD) damage in shipment.** Packaging requirements are listed in the publication, “Protecting Your Components From Static Damage in Shipment,” available online or from our Returns Department. This policy and the 30-day limit also apply to any products drop-shipped directly from the manufacturer.

Please note that if an incorrect quantity of product was shipped, Rice Lake must be contacted within 10 days of the purchase. Upon notification, we will immediately correct the situation.

**A restocking charge will apply if equipment is not in like-new condition.** The restocking charge is directly proportional to the amount of time and material required to return the item to resalable condition—we will make every effort to do this quickly and economically. Equipment that has been abused and/or shows signs of excessive wear and cannot be reconditioned and resold will not be accepted for return or credit after excessive wear or has been modified.

### As Applied to Drop Shipments

All Rice Lake return guidelines apply to products drop-shipped directly from the manufacturer. If a perceived error occurs, Rice Lake will investigate to the best of our ability to determine if the error occurred prior to shipping, during shipping, or at the end user site. If our records and subsequent investigation indicate that the shipment was correct when it left our factory, our responsibility extends only to the authorized reseller, not their end user. Our standard product warranty notes that our coverage extends only to equipment and systems **properly installed by an authorized reseller.**

### Obtaining an RMA

A return authorization number (RMA) is required for all materials being returned to Rice Lake for credit. Flat rate repairs require purchase orders at time of RMA issuance.

When returning equipment for repair or warranty reimbursement consideration, these simple steps will help to expedite your request:

1. Call our Returns Department.
2. Please have your customer number and both the item description and problem for a repair.
3. Please have the original sales order or invoice number for items to be returned for credit or warranty. NOTE: See return policy
4. An RMA number will be given for eligible returns. This RMA number may also be faxed or emailed per your request.

## Return Shipments Outside United States for repair, warranty, calibration or other services and re-export.

### For shipment to the USA:

1. The commercial invoice must include the following statement:
  - a. “These goods are being returned for maintenance under”
    - i. Goods Made in the USA -- “HTS 9801.00.1012”
    - ii. Goods NOT made in the USA -- “HTS 9801.00.2500”
2. The commercial invoice must list items individually and include the fair market value of the item based on its present condition for customs purposes only.
3. Please reference original RLWS commercial invoice number and date item was purchased if applicable.
4. Please note that failure to follow these procedures may cause delay and will certainly incur extra charges that will NOT be absorbed by Rice Lake.

## Return Shipments Outside United States other than for repair, or service work not being returned.

### For shipment to the USA:

1. The commercial invoice must include the following statement:
  - i. Goods Made in the USA -- “HTS 9801.00.1045”
  - ii. Goods NOT made in the USA -- “HTS 9801.00.2500”
2. The commercial invoice must list items individually and include the fair market value of the item based on its present condition for customs purposes only.
3. Please reference original RLWS commercial invoice number and date item was purchased if applicable.
4. Please note that failure to follow these procedures may cause delay and possible reduction in your refund.
5. Please be advised that you may qualify for a refund of your duties and should contact your local customs authority for instructions and forms.

## Special Order, Modified, Non-Catalog, or Non-Stock Items

Due to the added resources and difficulty in reselling special or non-standard products, returns or credit are not allowed for special order equipment, special software programs, equipment physically modified or altered in the field, discrete electronic components, relays, manuals, or opened software packages.

## Test Weights

All weights returned for credit will be assessed a restocking charge because of the required inspection and verification. Credit is not allowed for serialized weights, calibration or traceable services performed on weights.

## Balances

Balances returned for credit within 30 days of purchase may be subject to a restocking fee if assessed by balance manufacturer.



# Warranty and Limitation of Liability

## Carrier Product Damage

As part of our commitment to customer satisfaction and in accordance with ISO 9001 standards, we make every attempt to pack our products so they will arrive in new condition.

Occasionally due to rough handling or carelessness, product may arrive in a damaged condition. When this happens, don't assume that the shipment left Rice Lake in that condition or that the original packing was not sufficient.

The receiver, whether it is the authorized reseller or their Customer, is responsible for making a notation of damaged or missing items when signing the carrier's delivery receipt. If you or your Customer are not sure whether there is damage, we suggest adding a statement "CONDITION UNKNOWN" to the delivery receipt. In the event that damage or missing items are not properly documented at time of receipt, the carrier is relieved of responsibility and the receiver is then responsible for the cost to get the product back to new condition.

After the damage or shortage has been properly noted with the carrier, contact Rice Lake immediately and keep all the original packaging material for inspection by the carrier's representative. It is also helpful in the claim process to take pictures of the condition of the packaging and damage.

When drop-shipping items to your Customers, it is imperative that you advise them of their responsibility in accepting shipments from common carriers. Even if the equipment is not expected to be installed or used for a period of time, the shipment must be inspected at time of receipt in order to preserve their rights for making a claim.

## How to Prepare a Balance for Shipment

The best and most effective method for shipping a balance at any time and for any reason is to use the original manufacturer's packaging materials and subsequently double box it as described below. Teach your Customers to retain the packing set. Please remember that due to the nature of the equipment, new packaging materials can be very expensive.

In the event that the original manufacturer's packaging materials are not available, follow these instructions for top loading balances.

1. Remove the weighing platform cover, support buttons, weighing platform, floor plate, and other devices installed in the weighing chamber. Pack these pieces individually in bubble wrap and tape the wrapping closed. Follow this same procedure for AC adapters and power cords. Please note that AC adapters and power cords are necessary to adequately evaluate the problem.
2. Examine the device (refer to the operating instructions) and if necessary, re-install or tighten any shipping screws/retaining devices to prevent damage to the weighing mechanism during shipment.
3. If the floor plate is not removable, ensure it is securely in place and cannot come loose during shipment, even if the balance is inverted. Do NOT invert the balance to test the security of the floor plate.
4. Clean the device of any loose debris or potential contaminants to our testing facility.
5. Prepare and sign a Statement of Decontamination (form #0679). This form MUST be included in a separate packing list envelope on the outside of the box with the "Statement of Decontamination Form" statement clearly visible.
6. Using scotch tape or "speed" tape, tape all the glass doors on the device CLOSED. Be sure the tape is securely affixed and will not come off during shipment. Please note that on some devices, the glass breeze break around the weighing chamber can actually be disassembled and packed separate prior to shipment. Refer to the manufacturer's operating instructions. If this is a feature of the device being return, disassemble the breeze break and pack it in its own packing material and box.
7. Use a large box that will provide a minimum of 3 inches of space around the device for loose-fill packing material.
8. Place a padding of foam or Styrofoam (at least 1" thick) at the bottom of the box.
9. Place the balance in a large plastic bag and seal the bag closed.
10. Please put the device on top of the foam padding or Styrofoam from step 8 above.
11. Ensure that there is at least three inches of clearance between the top of the balance and the top of the box.
12. Using generous amounts of anti-static loose-fill packing material, fill all the spaces around the balance. Shake the box to cause the material to settle and add additional loose fill as necessary.
13. Place the small box containing all the items from step 1 above on top of the loose fill covering the balance. Add additional loose fill to completely cover all items within the box.
14. Double pack this box in another box that will again provide an additional two inches of space around the inner box. Fill all existing space between the inner and outer box with copious amounts of anti-static loose fill packing material.
15. Seal the box and include all the necessary documentation on the outside of the box. Don't forget the Decontamination Form (form #0679) from step 5 above.

## Repair Service Policies

Our Service Department is staffed Monday through Friday from 6:30 A.M. to 6:30 P.M., and Saturday from 8:00 A.M. to noon, Central time. For those utilizing the conveniences of the internet, we have an e-mail address dedicated to technical support. Please contact RLWS at [service@ricelake.com](mailto:service@ricelake.com) for answers to your technical questions and the status of repair products during normal business hours.

## Standard Repair Service Policy and Rates

We provide quality and timely repairs for the products we sell. Flat rate repair is offered for selected models of indicators, printers, and remote displays. Prior to returning a product for repair, our Returns Department will work with you to determine some key factors that will help RLWS better serve you. Please provide the following via phone to extensions 5348 or an RMA form.

# Warranty and Limitation of Liability

- Customer number: without a customer number we cannot issue an RMA number.
- Ship-to address: your customer number will bring up the bill-to address. You must inform RLWS of the ship-to address if it's different than the bill-to address.
- **Original sales and invoice orders: Required on warranty claims.**
- Freight type: unless stated otherwise, we ship the device back to you utilizing the same freight type in which we received it. If Rice Lake is responsible for freight charges, the carrier will be selected at the sole discretion of Rice Lake.
- **Definition of product and problem: please provide as much detail as possible regarding the type of product, application, and problem.**
- Purchase order number for flat rate repair: once we receive the equipment and the RMA, equipment for flat rate repair will be processed immediately. Other equipment will be evaluated and a minimum \$45 evaluation charge will apply.

You may be asked about the possibility of a new replacement product. It may be in your Customer's best interest to explore the option of purchasing a new product if the repair will exceed 50% of authorized reseller net price, since new products carry full warranty benefits.

Please note that our hourly service rate on all current Rice Lake products is \$125.00/hour. There is a 120-day limited warranty on parts and workmanship performed and noted under the scope of the specific repair.

## Balance Repair Policy and Rates

We offer repair support on the following balance models:

- All Rice Lake brand models

Once we receive the equipment and the RMA form, an estimate will be prepared.

A minimum charge of one hour will apply.

Please note that the hourly service rate on all balances is \$125.00/hour. All balance repairs are covered by a 90-day limited warranty on parts and workmanship performed and noted under the scope of the specific repair. Balances must be packaged to adequately protect them from damage in transit. Please refer to "How to Prepare a Balance for Shipment" available on our website and from our Returns Department.

## Test Weights

No returns will be accepted for items that are specifically modified for the Customer's requirements. Examples of such modifications may include, but not necessarily limited to:

1. Weights that have been specifically built to the Customer's specifications.
2. Standard product specifically modified to the Customer's specifications.
3. Standard product engraved with serial numbers at the customer's request.
4. Laboratory procedure charges.
5. Laboratory documentation fees.

## Load Cell Evaluation Policy, Repairs, and Rates

We support, service, repair and perform warranty evaluations on all Rice Lake brand load cells. We also provide repair evaluation for other manufacturers' load cells through each manufacturer's established service policies.

## Power Conditioning Policy

Rice Lake Weighing Systems recommends the installation of AC and/or DC transient protection which has proven to be effective in significantly reducing both the frequency and degree of damage caused by AC and/or DC transient voltage occurrences. Rice Lake Weighing Systems does not warrant or guarantee any transient protection device against damage or repair sold by it or any of its representatives or authorized resellers. Rice Lake Weighing Systems does not warrant or guarantee any scale-related or other electrical/electronic device against damage or repair which is intended to be protected by any transient protection device sold by it or any of its representatives or authorized resellers. Any damage or repair expense resulting from a transient strike or occurrence including the transient device itself, as well as the components intended to be protected, will not be at the expense of Rice Lake Weighing Systems. No other warranty or guarantees—express or implied—contrary to this written policy are supported or acknowledged by Rice Lake Weighing Systems.

## Field Service Rate Policy

For field service, we provide the services of highly-trained professionals for the following rate: \$1080.00 list per work day (not to exceed eight work hours). Additional daily hours are prorated at \$200.00/hour.

An additional 50% charge is added for services performed on Saturday and Sunday. The authorized reseller is responsible for travel expenses between Rice Lake, Wisconsin and the job location, regardless of the mode of transportation. Meals, lodging, and shipment of special equipment to and from the on-site location are billed to you at cost.

# Warranty and Limitation of Liability

## Exchange Board Policy

### Exchange Procedures

Simply call Rice Lake Weighing Systems' Service Department and specify the exchange circuit board you require. We issue a Return Authorization number for your return and immediately ship you a reconditioned circuit board.

Upon receipt of your returned product, an inspection is made to ensure that it can be rebuilt or repaired. If it meets the inspection/analysis criteria for our exchange program, a credit is immediately applied to your account. Credit is not issued on any returned product that, upon inspection and analysis by our Service Department, is determined to be unrepairable or obsolete. Circuit boards that have been physically altered or modified are not eligible for exchange. If your return does not qualify under these guidelines, you are contacted and disposition of your return is mutually agreed upon.

Discontinued products' exchange boards may have limited availability.

### Circuit Board Inspection/Analysis

All incoming boards are subject to an inspection to determine if they are eligible for our exchange program. A returned board is considered eligible for the exchange board program provided it:

- has all its traces intact.
- does not contain corrosion, burn marks, or lightning damage.

- has not been field-repaired using incorrect soldering or service techniques.
- has not been painted or coated with a foreign substance.
- If sense traces are cut, no core credit.

Upon passing inspection, a credit for your returned board is immediately applied to your account.

### Warranty

We offer a 120-day limited warranty on exchange circuit boards. The replacement board exchange list price is 80% of the new board list price. All level 1, 2, 3, and 4 authorized resellers receive a 25% discount off of the board exchange list price.

**Note: An \$85.00 exchange board credit is given when a usable board is returned**

### REPAIR BOARD EXCHANGE EXAMPLE:

#### IQ plus® 355

Exchange Board List .....	\$332.00
LESS 25% Authorized Reseller Discount.....	\$249.00
Exchange Board Credit.....	\$85.00
Final Net Price .....	\$164.00

### COMPARE AND SAVE:

#### IQ plus® 355

New Board List.....	\$425.00
LESS Max Discount.....	\$269.75
You Save .....	\$105.75

## EXCHANGE CIRCUIT BOARDS

Part #	Model	Board Type	Exchange List Price	Authorized Reseller Net	FINAL NET Price*
<b>Indicators</b>					
99345	120 reconditioned, external connector.....	CPU .....	\$188.00.....	\$141.00.....	\$100.00**
99346	120 reconditioned, internal connector.....	CPU .....	188.00.....	141.00.....	100.00**
64736	UMC222 reconditioned .....	DISP/CPU .....	396.00.....	297.00.....	212.00
31436	IQ plus® 310A reconditioned .....	DISP/CPU .....	516.00.....	387.00.....	302.00
31438	IQ 310A reconditioned .....	P/S.....	300.00.....	225.00.....	140.00
68442	IQ plus® 355 reconditioned .....	DISP/CPU .....	332.00.....	249.00.....	164.00
68439	IQ plus® 390 reconditioned .....	DISP/CPU .....	356.00.....	267.00.....	182.00
23033	UMC555 reconditioned, RFI.....	CPU .....	396.00.....	312.00.....	227.00
85930	420 reconditioned.....	CPU .....	376.00.....	282.00.....	197.00
94559	420 HE reconditioned .....	CPU .....	400.00.....	300.00.....	215.00
88811	IQ plus® 510 reconditioned .....	CPU .....	500.00.....	375.00.....	289.00
83132	520 reconditioned .....	CPU .....	456.00.....	342.00.....	257.00
88810	IQ plus® 590 reconditioned .....	CPU .....	356.00.....	267.00.....	182.00
19278	UMC 600/IQ 700 reconditioned, RFI.....	CPU .....	520.00.....	390.00.....	305.00
68440	IQ plus® 710 reconditioned, ver. 2.0.....	DISP/CPU .....	500.00.....	375.00.....	290.00
105923	720i reconditioned .....	CPU .....	600.00.....	450.00.....	365.00
40645	IQ plus® 800/810 recond., single channel, SMT.....	CPU .....	500.00.....	375.00.....	290.00
22775	IQ plus® 810 reconditioned .....	P/S.....	488.00.....	366.00.....	281.00
101399	820i dual chn. reconditioned.....	CPU .....	796.00.....	597.00.....	512.00
97267	820i signal chn. reconditioned.....	CPU .....	680.00.....	510.00.....	425.00
83133	920i® reconditioned.....	CPU .....	660.00.....	495.00.....	410.00
100345	320IS CPU board reconditioned .....	CPU .....	396.00.....	297.00.....	212.00
114529	DWM IV motherboard reconditioned.....	CPU .....	450.00.....	175.00.....	N/A**
114530	DWM IV A/D board reconditioned.....	A/D.....	270.00.....	135.00.....	N/A**
114531	DWM IV display board reconditioned .....	DISP.....	190.00.....	135.00.....	N/A**
<b>Remote Displays</b>					
71629	F Series reconditioned.....	CPU .....	336.00.....	252.00.....	167.00
85932	LaserLight® reconditioned .....	CPU .....	292.00.....	219.00.....	134.00
<b>Bench Scales</b>					
36782	CW-80 reconditioned .....	CPU .....	408.00.....	306.00.....	221.00
71628	IQ plus® 2100 reconditioned .....	CPU .....	284.00.....	213.00.....	128.00

\* After the \$85.00 exchange board credit has been issued to your account. Board exchange list prices are subject to change without notice based on 80% ratio to new board pricing.

\*\*The 80% exchange list price or the \$85.00 exchange credit may not to these boards



# USING YOUR MECHANICAL SCALE PARTS CATALOG

The *Rice Lake Weighing Systems Mechanical Scale Parts* catalog contains the most comprehensive selection of replacement parts and kits available. All parts are newly manufactured by Rice Lake Weighing Systems and consist of high-grade tool steel. Our stringent Quality Assurance program ensures conformance to exacting tolerances. If you need a part not listed, call us with the main lever casting number. We may have it available as a used or reconditioned part via our nationwide replacement parts network. The catalog format is designed to enable you to quickly reference a wide range of mechanical scale parts information. Replacement parts and kits are grouped by manufacturer and color coded for easy access.

## REPLACEMENT PARTS

### PRICE INDEX

If you already know your Rice Lake Weighing Systems part number, refer to the parts price index to quickly find the page number(s) where the part can be located and the suggested list price.

### CROSS REFERENCE

If you know the scale manufacturer's original part number, this section cross-references it to the Rice Lake Weighing Systems part number and the page number(s) where the part can be located.

### INDIVIDUAL SCALE PARTS

The individual scale parts section provides information that will verify if the part meets required specifications. Each part is presented with the original scale manufacturer's part number (if available), part size, a brief description, the suggested list price and, in most cases, drawings. Several models of Toledo and Fairbanks scales are presented with an illustrated parts breakdown to aid in the identification of parts.

## QUICK PARTS ORDERING

When ordering parts or kits, the following guidelines will help to ensure you receive the correct replacement parts.

- Identify the manufacturer, size, capacity and number of sections in your scale. One pair of main levers constitutes a section, as illustrated below.
- Know the scale's main lever casting number. Main levers are the main load bearing levers in the scale, located directly under the I-beams. Casting numbers will be found cast into the lever, or in the case of steel levers, stamped in or stenciled on. A wire brush may be necessary to help identify the number. Point □ below identifies typical casting number locations. If you are having difficulty finding the casting number, check all of the main levers.

## KITS

Kits provide everything needed to rebuild the scale suspension and/or pivots and bearings, returning them to their original operating performance.

### PRICE INDEX

If you know your Rice Lake Weighing Systems kit part number, refer to the kit price index to quickly find the price and the page number(s) where it can be located. A kit selection is offered for each scale manufacturer listed, with the exception of Exact Weight.

### CROSS REFERENCE

Original Fairbanks and Howe kit numbers are cross-referenced to the Rice Lake Weighing Systems part number and the page number(s). Cardinal-Murphy and Hardy kits are referenced by capacity to the Rice Lake Weighing Systems part number and page number(s).

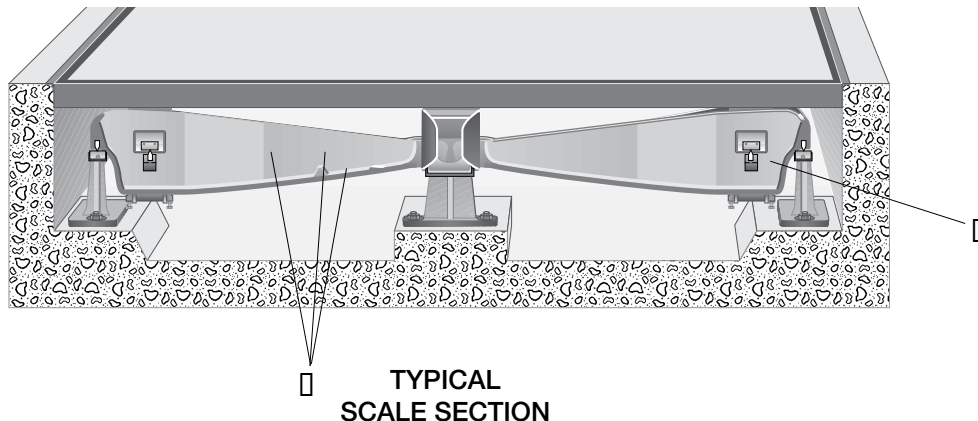
### INDIVIDUAL KITS

Refer to the individual kits section for a comprehensive selection of scale kits. Each kit listed is referenced to the scale type, model(s) and size(s). For motor truck scales, kit numbers and part breakouts are given at the top of the page. Suspension kits follow the pivot and bearing kits for the same scale model(s).

- If you can't find a casting number from any main lever, use the casting number from one of the suspension parts, such as the saddle or trunnion block. Measure the distance between the pivots and identify the type of pivots. Point □ below identifies the location of suspension parts.

Note: Although main lever casting numbers are not indexed or cross referenced in our catalog, they are shown at the top of Individual Scale Parts pages.

- Be careful not to use the transverse lever casting number, as many different transverse levers can be used with the same main levers. Transverse lever casting numbers are not illustrated in this catalog.
- Be careful not to give the lever multiple such as M=6 or X=6. Many different types of levers have the same multiple.



TYPICAL  
SCALE SECTION

# TOLEDO

TOLEDO

# Toledo Price Index

By Rice Lake Part Number

**TOLEDO**

RL PART #	SUGG. LIST	PAGE #
10797	\$32.00	32
11417	\$30.00	22
11419	\$32.00	22
11421	\$45.00	22
11423	\$58.00	22
14656	\$1.50	XX
14746	\$2.00	XX
15232	\$1.10	XX
15263	\$1.10	33
15276	\$6.00	25
22251	\$15.00	39
22252	\$110.00	39
22268	\$410.00	39
22269	\$80.00	39
22271	\$85.00	39
22272	\$235.00	39
22273	\$245.00	39
22274	\$110.00	39
*22275	\$1275.00	39
22276	\$637.00	39
22277	\$910.00	39
30302	\$365.00	39
33915	\$910.00	39
69784	\$86.00	36
71043	\$91.00	36
71602	\$132.00	36
99155	\$256.00	27
100268	\$295.00	37
100269	\$365.00	37
100270	\$375.00	37
101102	\$315.00	37
101169	\$85.00	39
101563	\$132.00	36
104164	\$318.00	37
108202	\$5.00	40
108612	\$62.00	40
108662	\$7.50	37
108663	\$12.00	37
108684	\$8.00	37
108895	\$89.00	40
108927	\$166.00	37
108928	\$166.00	37
109234	\$148.00	37
109270	\$134.00	40
109695	\$5.00	40
109323	\$34.00	40
130407	\$70.00	40
130408	\$64.00	40

RL PART #	SUGG. LIST	PAGE #
131376	\$94.00	40
H655P	\$35.00	32
H624	\$47.00	33
H691	\$35.00	33
P701	\$52.00	33
P702	\$50.00	33
P705	\$135.00	36
P707	\$109.00	36
P716P	\$38.00	32
T101	\$27.00	23
T102	\$33.00	23,19
T103	\$31.00	23
T104	\$36.00	23
T105	\$29.00	XX
T105SS	\$48.00	XX
T106	\$33.00	23
T109	\$30.00	23
T110	\$29.00	XX
T111	\$31.00	23
T112	\$31.00	XX
T113	\$26.00	23
T114	\$26.00	XX
T116	\$20.00	23
T116SS	\$33.00	XX
T117	\$19.00	19,21
T118	\$19.00	XX
T122P	\$31.00	19,28
T123P	\$32.00	28
T124P	\$32.00	28
T125	\$31.00	24
T126	\$33.00	24
T127	\$38.00	24
T128	\$38.00	24,33
T129	\$40.00	24,33
T130	\$42.00	24,33
T131	\$41.00	24
T132P	\$36.00	32
T133P	\$33.00	32
T134P	\$51.00	32
T135P	\$32.00	28
T136L	\$23.00	26
T137C	Reference RL Part #11423	
T138	\$45.00	23
T139	\$47.00	23
T140	\$29.00	XX

RL PART #	SUGG. LIST	PAGE #
T141	\$14.00	26
T142L	\$24.00	26
T143	\$29.00	XX
T145P	\$52.00	29
T146P	\$56.00	29
T147P	\$72.00	29
T148P	\$90.00	XX
T149P	\$23.00	XX
T150P	\$40.00	19,28
T151P	\$29.00	28
T152P	\$42.00	XX
T153P	\$44.00	28
T154	\$140.00	34
T155	\$148.00	34
T156	\$140.00	34
T159P	\$54.00	XX
T160P	\$46.00	XX
T161P	\$42.00	28
T162	\$53.00	23
*T163	\$55.00	XX
T165P	\$32.00	32
T166P	\$45.00	31
T167P	\$98.00	31
T168P	\$39.00	30
T169P	\$49.00	30
T170P	\$150.00	31
T171P	\$187.00	XX
T173P	\$48.00	XX
T174P	\$69.00	XX
T175P	\$55.00	XX
T176P	\$44.00	31
T177P	\$50.00	31
T178P	\$52.00	31
T179P	\$57.00	31
T180P	\$75.00	31
T181P	\$43.00	31
T182P	\$127.00	31
T183P	\$63.00	XX
T184P	\$89.00	31
T185P	\$52.00	XX
T187P	\$56.00	XX
T188P	\$37.00	28
T189P	\$56.00	XX
T190P	\$56.00	30

\*Item obsolete or discontinued. When remaining stock is depleted, published prices are withdrawn and the item is subject to a special order quote.

XX Call for Details

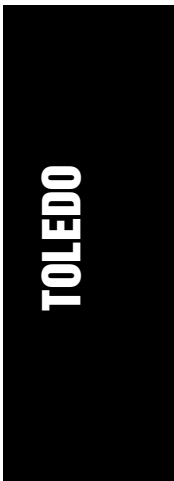
# Toledo Price Index

By Rice Lake Part Number

RL PART #	SUGG. LIST	PAGE #	RL PART #	SUGG. LIST	PAGE #	RL PART #	SUGG. LIST	PAGE #
T190PSS	\$95.00	30	T230	\$24.00	30	T539	\$15.00	XX
T191P	\$95.00	XX	T231P	\$48.00	32	T542	\$14.00	XX
T192P	\$120.00	XX	T232P	\$49.00	32	T545	\$15.00	XX
T193P	\$120.00	XX	T233P	\$51.00	XX	T546	\$28.00	XX
T194P	\$75.00	31	T235	\$8.50	XX	T547	\$90.00	34
T195P	\$42.00	29	T236	\$14.00	XX	T548	\$62.00	34
T196P	\$44.00	29	T237	\$15.00	XX	T550	\$15.00	XX
T197P	\$48.00	29	T239P	\$40.00	19,21	*T550SS	\$29.00	XX
T198P	\$64.00	29	T241P	\$74.00	30	T553	\$210.00	24
T199P	\$98.00	29	T245	\$44.00	27	T554	\$84.00	26
T200	\$19.00	30	T246	\$43.00	27	T555	\$82.00	24
T201	\$57.00	XX	T251	\$18.00	19	T556	\$82.00	24
T201SS	\$73.00	XX	T252	\$16.00	19	T557	\$145.00	XX
T202P	\$94.00	31	T253	\$17.00	19	T558P	\$63.00	32
T203P	\$44.00	XX	T254P	\$16.00	21	T559	\$325.00	XX
T204	\$19.00	30	T255	\$12.00	21	T560P	\$46.00	XX
T207	\$210.00	35	T256	\$26.00	21	T561	\$235.00	XX
T208	\$220.00	35	T257	\$24.00	21	T562P	\$45.00	32
T209	\$230.00	35	T258	\$26.00	21	T563	\$94.00	XX
T210L	\$125.00	35	T259	\$8.00	21	*T566	\$65.00	XX
T211	\$110.00	35	T260P	\$40.00	21,19	T567	\$108.00	XX
T212	\$135.00	35	T261	\$23.00	21	T568P	\$47.00	XX
T213L	\$105.00	35	T524	\$13.00	21,19	T569	\$25.00	XX
T214P	\$110.00	XX	T529	\$98.00	34	T571	\$59.00	XX
T215L	\$42.00	26	T530	\$62.00	34	T572	\$33.00	24
T216	\$47.00	XX	T531	\$66.00	34	T573	\$61.00	XX
T217	\$17.00	26	T533P	\$25.00	25	T574	\$44.00	XX
T218P	\$31.00	28,19	T536	\$9.00	XX			
T219	\$58.00	XX	T537	\$26.00	XX			
T220L	\$39.00	26	T537SS	\$41.00	XX			
T221	\$21.00	26	T538	\$14.00	XX			
T222	\$45.00	27	T538SS	\$22.00	XX			
T227	\$40.00	XX						
T229	\$24.00	30						

\*Item obsolete or discontinued. When remaining stock is depleted, published prices are withdrawn and the item is subject to a special order quote.

XX Call for Details





# Toledo Cross Reference

By Equivalent Toledo Number

<b>EQUIV. TOLEDO #</b>	<b>RL PART #</b>	<b>PAGE #</b>
470.....	T533P .....	25
2016.....	T535P .....	XX
3030.....	15244 .....	XX
3101.....	69784 .....	36
3102.....	71043 .....	36
3103.....	P707 .....	36
3104.....	P705 .....	36
3105.....	P716P .....	32
3107.....	H655P .....	32
3108.....	H691 .....	33
3109.....	10797 .....	32
3110.....	P701 .....	33
3111.....	P702 .....	33
4018.....	T217 .....	26
4020.....	T107 .....	XX
4440.....	T255 .....	21
5334.....	T220L .....	26
5339.....	T537 .....	25
5350.....	T222 .....	27
6008.....	T251 .....	19
7369.....	T117 .....	19,21
7443.....	T112 .....	XX
7743.....	T111 .....	23
7967.....	T221 .....	26
8618.....	T142L .....	26
8619.....	T141 .....	26
8631.....	T150P .....	28,19
8946.....	T188P .....	28
9046.....	T114 .....	XX
9547.....	T539 .....	XX
10256.....	T205P .....	XX
10504.....	T103 .....	23
11780.....	T124P .....	28
11783.....	T122P .....	19,28
11785.....	T135P .....	28
14661.....	T157P .....	XX
14662.....	T116 .....	23
14764.....	T246 .....	27
14772.....	T159P .....	XX
16232.....	T542 .....	XX
16444.....	T172P .....	XX
16742.....	T118 .....	XX
17211.....	T111 .....	23
17212.....	T109 .....	23
17213.....	T104 .....	23
17214.....	T245 .....	27
17215.....	T215L .....	26
17217.....	99155 .....	27
17228.....	T538 .....	XX
17231.....	T113 .....	23
17251.....	T151P .....	28
17806.....	T101 .....	23
17871.....	T158P .....	XX
17874.....	T550 .....	XX
17918.....	T102 .....	19,23

<b>EQUIV. TOLEDO #</b>	<b>RL PART #</b>	<b>PAGE #</b>
18399.....	T178P .....	31
18690.....	T234 .....	XX
19539.....	T105 .....	XX
19652.....	T106 .....	23
19660.....	T163 .....	XX
19837.....	T107SS.....	XX
19839.....	T103SS.....	XX
19844.....	T113SS.....	XX
19845.....	T151PSS.....	XX
19846.....	T101SS.....	XX
21004.....	T140 .....	XX
21005.....	T136L .....	26
21032.....	T532 .....	XX
21614.....	T546 .....	XX
21620.....	T133P .....	32
21713.....	T545 .....	XX
21739.....	T550SS.....	XX
21741.....	T539SS.....	XX
21743.....	T140SS.....	XX
21744.....	T136LSS.....	XX
21745.....	T150PSS.....	XX
21747.....	T157PSS.....	XX
21748.....	T159PSS.....	XX
21753.....	T102SS.....	XX
21754.....	T109SS.....	XX
21755.....	T116SS.....	XX
22063.....	T233P .....	XX
22239.....	T227 .....	XX
22398.....	T101 .....	23
22461.....	T162 .....	23
22483.....	T132P .....	32
22501.....	T161P .....	28
22503.....	T170P .....	31
22506.....	T171P .....	XX
22507.....	T167P .....	31
22535.....	T168P .....	30
22544.....	T169P .....	30
22710.....	22098 .....	XX
22906.....	T216 .....	XX
23013.....	T241P .....	30
23036.....	T149P .....	XX
23048.....	T135P .....	28
23125.....	T227SS.....	XX
23153.....	T122P .....	19,28
23154.....	T122PSS.....	XX
23236.....	T124PSS.....	XX
23275.....	T530 .....	34
23282.....	T548 .....	34
23443.....	T531 .....	34
23565.....	T203P .....	XX
23603.....	T208 .....	35
23607.....	T202P .....	31
23608.....	T211 .....	35
23609.....	T213L .....	35
23610.....	T155 .....	34

<b>EQUIV. TOLEDO #</b>	<b>RL PART #</b>	<b>PAGE #</b>
23615.....	T184P .....	31
23616.....	T156 .....	34
23620.....	T181P .....	31
23622.....	T529 .....	34
23624.....	T180P .....	31
23627.....	T547 .....	34
23631.....	T179P .....	31
23651.....	T207 .....	35
23662.....	T209 .....	35
23666.....	T182P .....	31
23667.....	T210L .....	35
23668.....	T212 .....	35
23669.....	T154 .....	34
23674.....	T194P .....	31
23829.....	T166P .....	31
23939.....	T152P .....	XX
23940.....	T145P .....	29
23941.....	T146P .....	29
23942.....	T147P .....	29
23943.....	T148P .....	XX
23944.....	T139 .....	XX
23945.....	T551 .....	XX
23947.....	15276 .....	25
23975.....	T219 .....	XX
23976.....	T190P .....	30
23977.....	T191P .....	XX
24321.....	T200 .....	30
24322.....	T230 .....	30
24328.....	T229 .....	30
24601.....	T173P .....	XX
24603.....	T187P .....	XX
24605.....	T185P .....	XX
24607.....	T183P .....	XX
24609.....	T175P .....	XX
24880.....	T138 .....	23
24898.....	T192P .....	XX
24899.....	T189P .....	XX
25041.....	T186P .....	XX
25648.....	T176P .....	31
25649.....	T177P .....	31
25748.....	T193P .....	XX
26829.....	T204 .....	30
27184.....	T143 .....	XX
28799.....	T152P .....	XX
29063.....	T160P .....	XX
29415.....	T554 .....	26
29433.....	T201 .....	XX
29674.....	T537SS.....	XX
29675.....	T104SS.....	XX
29678.....	T538SS.....	XX
29680.....	T111SS.....	XX
29685.....	T177PSS.....	XX
30170.....	T174P .....	XX
32343.....	T153P .....	28
32344.....	T153PSS.....	XX

\*Item obsolete or discontinued. When remaining stock is depleted, published prices are withdrawn and the item is subject to a special order quote.

XX Call for Details



# Toledo Cross Reference

By Equivalent Toledo Number

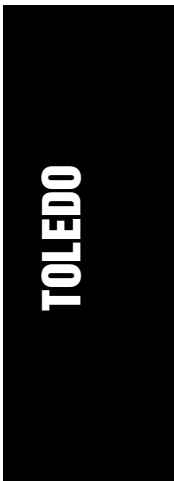
EQUIV. TOLEDO #	RL PART #	PAGE #
32351.....	T123P.....	28
33952.....	T567.....	XX
33967.....	T214P.....	XX
34656.....	T225.....	XX
36018.....	T168PSS.....	XX
37786.....	T169PSS.....	30
39154.....	T165P.....	32
39285.....	T130.....	33,24
39770.....	T105SS.....	XX
39805.....	T189PSS.....	XX
39806.....	T201SS.....	XX
39924.....	T573.....	XX
39926.....	T196P.....	29
39931.....	T199P.....	29
39947.....	T569.....	XX
39955.....	T198P.....	29
39956.....	T195P.....	29
39957.....	T197P.....	29
41891.....	T570.....	XX
46186.....	T125.....	24
46188.....	T126.....	24
46189.....	T127.....	24
46190.....	T131.....	24
46899.....	T134P.....	32
47027.....	T129.....	33,24
47030.....	T128.....	24,33
47238.....	T232P.....	32
47241.....	T231P.....	32
47560.....	T536.....	XX
47561.....	T235.....	XX
47572.....	T236.....	XX
47574.....	T238.....	XX
47581.....	T237.....	XX
49809.....	T150P.....	19,28
49811.....	T218P.....	19,28
49820.....	T252.....	19
49827.....	T253.....	19
49839.....	T260P.....	19,21
49854.....	T239P.....	19,21
49857.....	11423.....	22
49862.....	T524.....	19,21
49868.....	11417.....	22

EQUIV. TOLEDO #	RL PART #	PAGE #
49869.....	11419.....	22
49870.....	11421.....	22
65922.....	T106SS.....	XX
66022.....	T190PSS.....	30
72294.....	T555.....	24
72315.....	T560P.....	XX
72369.....	T562P.....	32
72422.....	T561.....	XX
73124.....	T558P.....	32
73162.....	T556.....	24
73672.....	T557.....	XX
73684.....	T563.....	XX
73687.....	T553.....	24
73688.....	T559.....	XX
75337.....	T124P.....	28
75449.....	T226SS.....	XX
75564.....	T123PSS.....	XX
75565.....	T123P.....	28
75936.....	T135P.....	28
75997.....	T122PSS.....	28
77126.....	T568P.....	XX
77195.....	T574.....	XX
80261.....	T254P.....	21
80278.....	T258.....	21
80280.....	T257.....	21
80282.....	T256.....	21
80284.....	T261.....	21
80285.....	T259.....	21
81405.....	T577.....	XX
92959.....	T529.....	34
92960.....	T547.....	34
106921.....	T566.....	XX
12765100A.....	T255.....	21
127666.....	11417.....	22
127667.....	11419.....	22
127668.....	11421.....	22
127698.....	T258.....	21
127699.....	T257.....	21
12770000A.....	T256.....	21
12824100A.....	T259.....	21
235156.....	T572.....	24
235157.....	T571.....	XX

EQUIV. TOLEDO #	RL PART #	PAGE #
10010400A.....	22252.....	39
10010600A.....	22276.....	39
10010900A.....	22275.....	39
10011300A.....	22274.....	39
10011400A.....	22269.....	39
10011500A.....	22273.....	39
10011500B.....	22272.....	39
10011700A.....	22251.....	39
10011800A.....	22268.....	39
10015600A.....	22277.....	43
MN21018.....	130408.....	40
MN31797.....	108895.....	40
MN32058.....	109270.....	40
MN61063-13.....	108684.....	37
MZ0909000004.....	22301.....	XX
MZ0909000005.....	108202.....	40
MZ0909000012.....	109695.....	XX
R-653.....	14746.....	XX
R1278.....	22303.....	XX
TA000088-008.....	100268.....	37
TA000088-012.....	101102.....	37
TA000088-015.....	104164.....	37
TA000088-026.....	100269.....	37
TA000088-035.....	100270.....	37
TA200712-2.....	108663.....	37
TA200764.....	71602.....	36
TA200814.....	101563.....	36
TA200937-2.....	109234.....	37
TA200937-3.....	108927.....	37
TA200937-4.....	108928.....	37
TA203173.....	.....	41
TN200050.....	108612.....	40
TN201975.....	131376.....	40

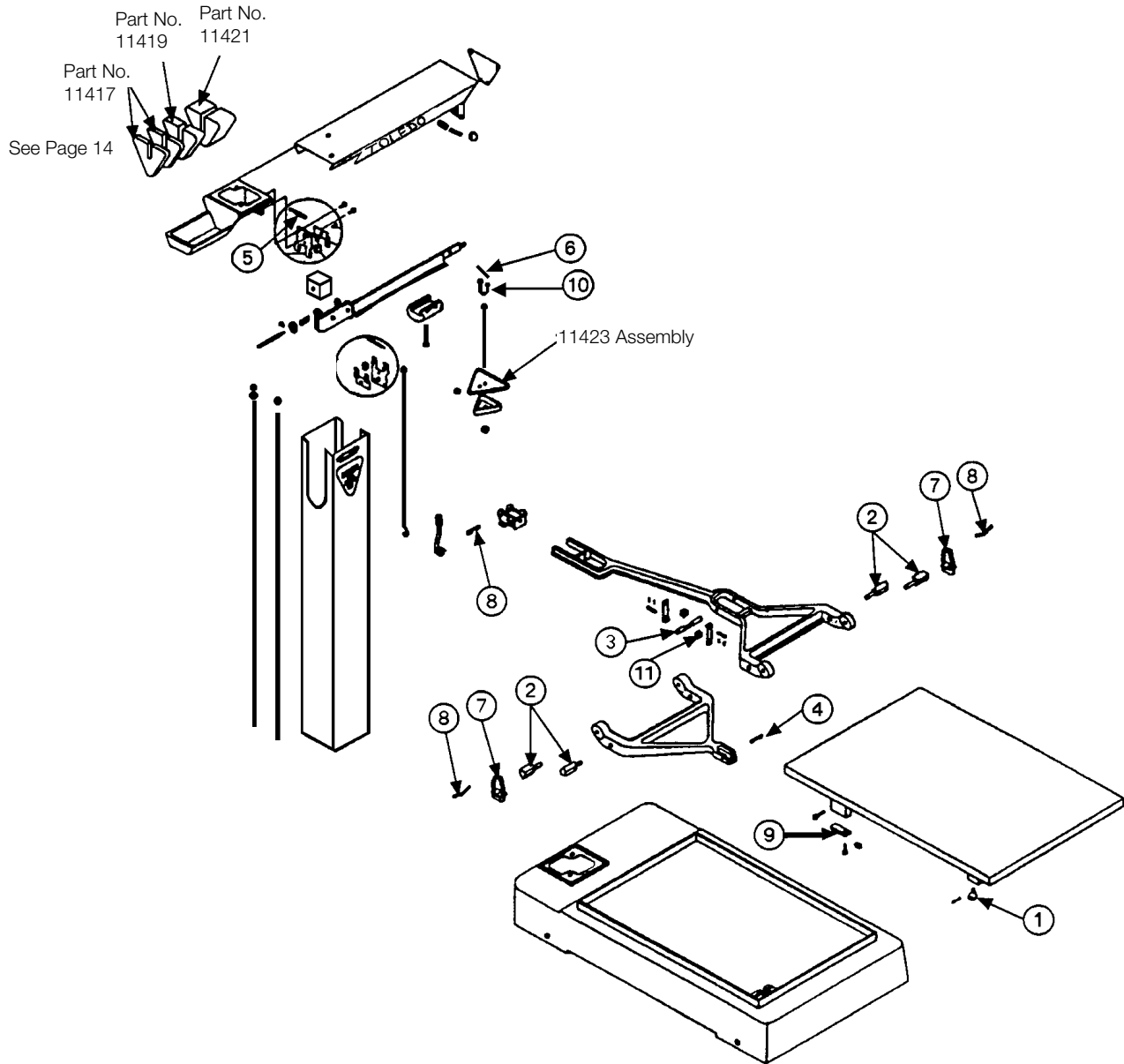
\*Item obsolete or discontinued. When remaining stock is depleted, published prices are withdrawn and the item is subject to a special order quote.

XX Call for Details




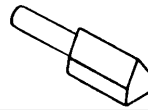
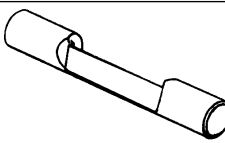
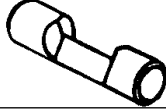
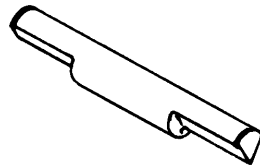


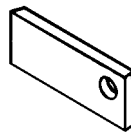


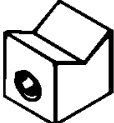
# Toledo Scale Parts Reference

For Model 4180 Portable Beam Scale



# Individual Toledo Scale Parts

For Model 4180 Portable Beam Scale

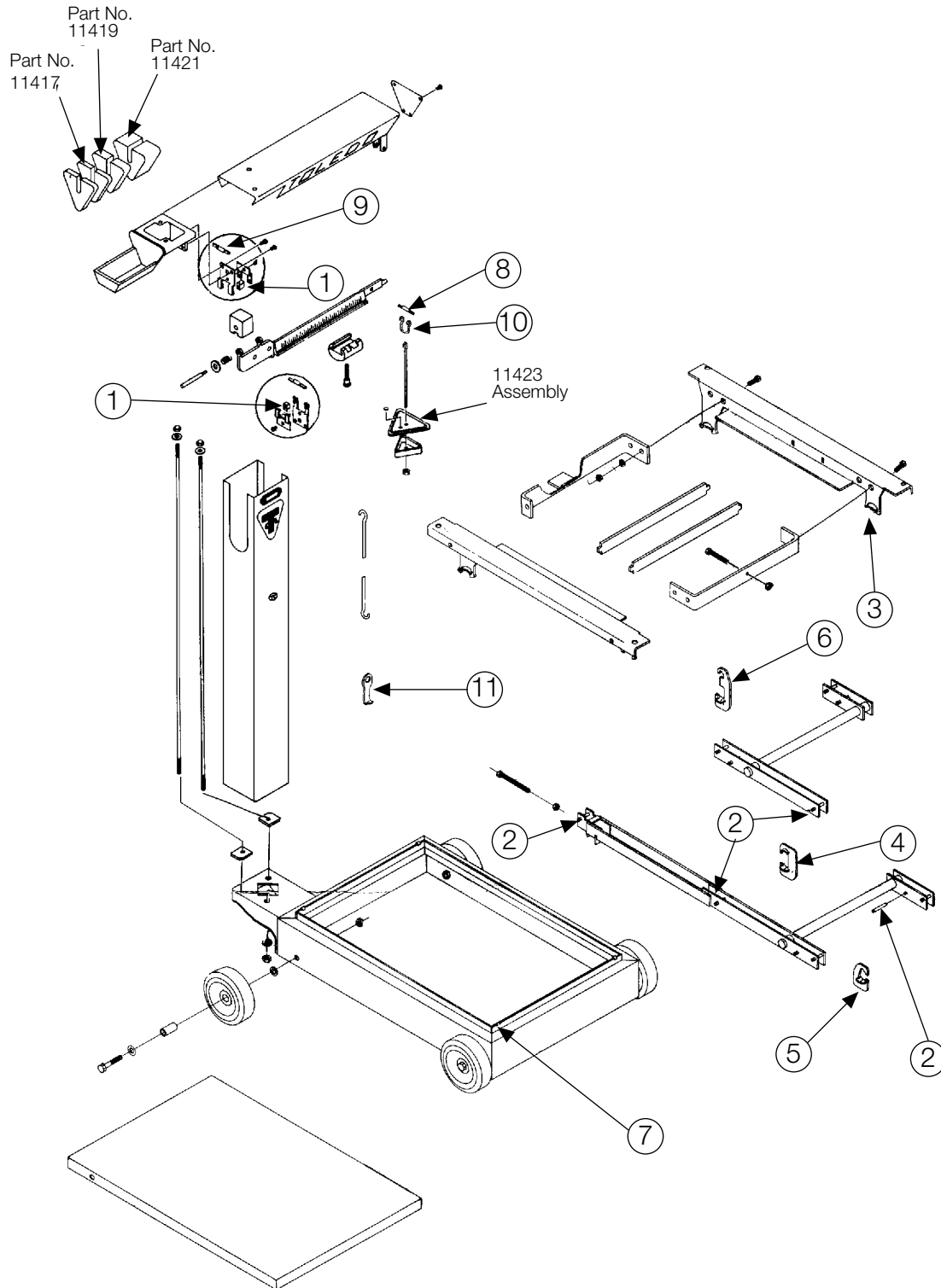
REF	RL PART #	QTY	DESCRIPTION	SUGG. LIST	
*1	T102	2	EQUIV. TOLEDO NO. 17918 SIZE: 7/8" DIA LOAD BEARING, FRONT	\$33.00	
2	T122P	8	EQUIV. TOLEDO NO. 11783, 23153 SIZE: 13/16" H x 1/2" DIA x 2 3/4" L PIVOT, LOAD & FULCRUM	\$31.00	
3	T150P	1	EQUIV. TOLEDO NO. 49809, 8631 SIZE: 19/32" DIA LARGE END x 4" L PIVOT EDGE: 2 1/32" PIVOT, CENTER LONG LEVER	\$40.00	
*4	T218P	2	EQUIV. TOLEDO NO. 49811 SIZE: 5/16" x 3/4" PIVOT EDGE x 1 1/16" L PIVOT, NOSE IRON & SHORT LEVER	\$31.00	
*5	T239P	2	EQUIV. TOLEDO NO. 49854 SIZE: 5/16" x 9/16" PIVOT EDGE x 2 1/8" L PIVOT, FULCRUM & LOAD BEAM	\$40.00	
*6	T260P	1	EQUIV. TOLEDO NO. 49839 SIZE: 5/16" x 9/16" PIVOT EDGE x 1 15/16" L TIP PIVOT, BEAM	\$40.00	
*7	T251	4	EQUIV. TOLEDO NO. 6008 SIZE: 3/16" x 1 1/16" W x 2" L (INSIDE) LOOP & BEARING ASSEMBLY	\$18.00	
*8	T252	4	EQUIV. TOLEDO NO. 49820 SIZE: 5/16" x 2 5/16" L LOOP PIN	\$16.00	
*9	T253	2	EQUIV. TOLEDO NO. 49827 SIZE: 3/16" x 3/4" x 2" L HOLE SIZE: 1/4" BEARING, LOAD REAR	\$17.00	
10	T524	1	EQUIV. TOLEDO NO. 49862 SIZE: 1" W x 1 3/4" H TIP, LOOP, BEAM	\$13.00	
*11	T117	2	EQUIV. TOLEDO NO. 7369 SIZE: 1/2" x 1/2" x 1/2" BEARING, CENTER CONNECTION	\$19.00	

ORDER KIT NO. T-68-K

TOLEDO


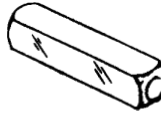
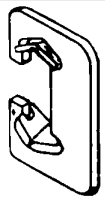

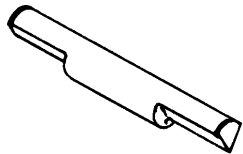

# Toledo Scale Parts Reference

For Model 4181 & 4182 Portable Beams and Ohaus D500M



# Individual Toledo Scale Parts

For Model 4181 and 4182 Portable Beams

REF	RL PART #	QTY	DESCRIPTION	SUGG. LIST	
*1	T117	4	EQUIV. TOLEDO NO. 7369 SIZE: 1/2" x 1/2" x 1/2" HOLE SIZE .201" BEARING-BEAM, LOAD & FULCRUM	\$19.00	
2	T254P	1	EQUIV. TOLEDO NO. 80261 SIZE: 5/16" SQ x 1 5/8" L PIVOT, LOAD, FULCRUM & NOSE Fits Models 4181 and 4182	\$16.00	
3	T255	4	EQUIV. TOLEDO NO. 4440, 12765100A SIZE: 3/16" x 3/4" W x 1 5/16" L BEARING, LOAD & ALL LOOPS Fits Models 4181 and 4182	\$12.00	
4	T256	1	EQUIV. TOLEDO NO. 80282, 12770000A SIZE: 3/16" x 2 1/8" W x 3 1/2" L CENTER LOOP ASSEMBLY Fits Models 4181 and 4182	\$26.00	
5	T257	2	EQUIV. TOLEDO NO. 127699 (80280 OLD) SIZE: 3/16" x 2 1/8" W x 2 7/8" L SHORT FULCRUM HOOK ASSEMBLY Fits Models 4181 and 4182	\$24.00	
6	T258	2	EQUIV. TOLEDO NO. 127698 (80278 OLD) SIZE: 3/16" x 2 1/8" W x 4 3/4" L LONG FULCRUM HOOK ASSEMBLY Fits Models 4181 and 4182	\$26.00	
7	T259	4	EQUIV. TOLEDO NO. 80285, 12824100A SIZE: 5/16" DIA x 1/4" L SUPPORT FULCRUM HOOK Fits Models 4181 and 4182	\$8.00	
*8	T260P	1	EQUIV. TOLEDO NO. 49839 SIZE: 5/16" x 9/16" PIVOT EDGE x 1 15/16" L TIP PIVOT, BEAM	\$40.00	
*9	T239P	2	EQUIV. TOLEDO NO. 49854 SIZE: 5/16" x 9/16" PIVOT EDGE x 2 1/8" L FULCRUM & LOAD BEAM PIVOT	\$40.00	
10	T524	1	EQUIV. TOLEDO NO. 49862 SIZE: 1" W x 1 3/4" H TIP LOOP, BEAM	\$13.00	
11	T261	1	EQUIV. TOLEDO NO. 80284 NOSE IRON HOOK	\$23.00	

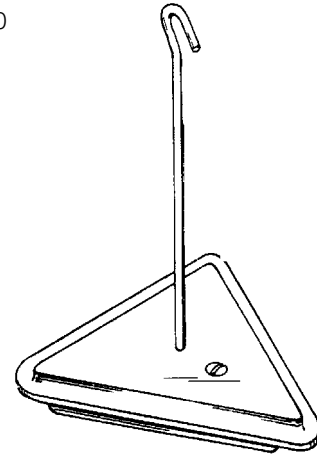
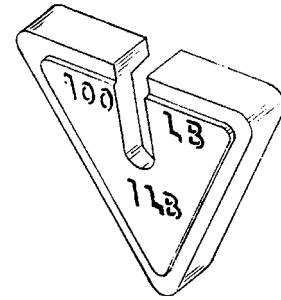
ORDER KIT NO. T-80-K

TOLEDO

# Individual Toledo Scale Parts

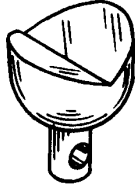
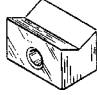
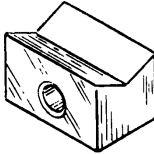
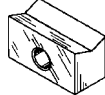
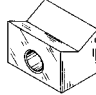
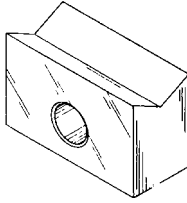
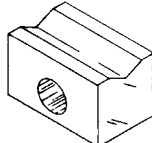
Counterpoise Weights & Hangers for models 4180, 4181, 4182

RL PART #	DESCRIPTION	SUGG. LIST
11417	EQUIV. TOLEDO NO. 127666 (49868 OLD) WEIGHT: 100 x 1 LB COUNTERPOISE WEIGHT	\$30.00
11419	EQUIV. TOLEDO NO. 127667 (49869 OLD) WEIGHT: 200 x 2 LB COUNTERPOISE WEIGHT	\$32.00
11421	EQUIV. TOLEDO NO. 127668 (49870 OLD) WEIGHT: 500 x 5 LB COUNTERPOISE WEIGHT	\$45.00
11423	EQUIV. TOLEDO NO. 127665 (49857 OLD) WEIGHT: 14 OZ COUNTERPOISE HANGER	\$58.00



# Individual Toledo Scale Parts

## Bearings

RL PART #	DESCRIPTION	SUGG. LIST	
T101	EQUIV. TOLEDO NO. 17806, 22398 SIZE: 1 3/16" DIA FULCRUM & LOAD BEARING, USED IN INDUSTRIAL BENCH & PORTABLE DIALS, ETC	\$27.00	
*T102	EQUIV. TOLEDO NO. 17918 SIZE 7/8" DIA BENCH & PORTABLE DIALS, ETC.	\$33.00	
*T103	EQUIV. TOLEDO NO. 10504 SIZE: 21/32" DIA	\$31.00	
*T116	EQUIV. TOLEDO NO. 14662 SIZE: 1/2" x 1/2" x 13/16" L HOLE SIZE: .201"	\$23.00	
T113	EQUIV. TOLEDO NO. 17231 SIZE: 5/8" x 3/4" x 13/16" L HOLE SIZE: .323"	\$26.00	
*T111	EQUIV. TOLEDO NO. 17211 (7743 OLD) SIZE: 5/8" x 3/4" x 1 5/32" L HOLE SIZE: .323"	\$31.00	
T109	EQUIV. TOLEDO NO. 17212 SIZE: 5/8" x 3/4" x 1 15/16" L HOLE SIZE: .323"	\$30.00	
T106	EQUIV. TOLEDO NO. 19652 SIZE: 7/8" x 7/8" x 1 1/4" L HOLE SIZE: .394"	\$33.00	
T104	EQUIV. TOLEDO NO. 17213 SIZE: 7/8" x 1 1/4" x 2" L HOLE SIZE: .515"	\$36.00	
*T138	EQUIV. TOLEDO NO. 24880 SIZE: 7/8" x 1 1/4" x 1 1/2" L HOLE SIZE: .515"	\$45.00	
*T139	EQUIV. TOLEDO NO. 23944 SIZE: 1" x 1 1/4" x 2" L HOLE SIZE: .515"	\$47.00	
T162	EQUIV. TOLEDO NO. 22461 SIZE: 1 1/4" x 1 3/4" x 2" L HOLE SIZE: 5/8" PIN T569 PIN & T570 SNAP RING	\$53.00	

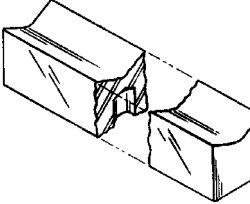
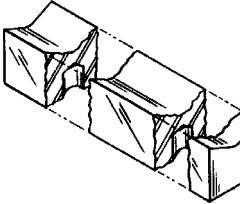
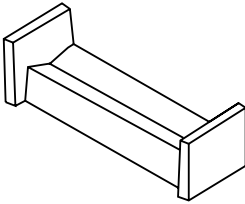
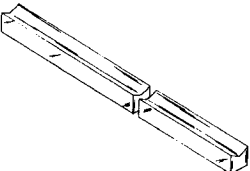
TOLEDO



# Individual Toledo Scale Parts

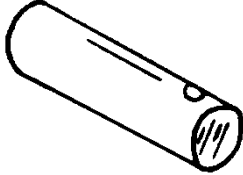
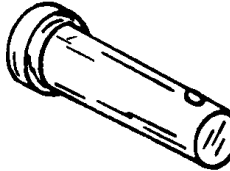
## Bearings

TOLEDO

RL PART #	DESCRIPTION	SUGG. LIST	
T128	EQUIV. TOLEDO NO. 47030 SIZE: 5/8" x 5/8" x 3 15/16" L	\$38.00	
T129	EQUIV. TOLEDO NO. 47027 SIZE: 5/8" x 5/8" x 4 11/16" L 1/4" HOLE	\$40.00	
T130	EQUIV. TOLEDO NO. 39285 SIZE: 5/8" x 5/8" x 5 5/8" L	\$42.00	
T125	EQUIV. TOLEDO NO. 46186 SIZE: 5/8" x 5/8" x 2" L 3/16" HOLES 1 1/4 C TO C	\$31.00	
*T572	EQUIV. TOLEDO NO. 235156 SIZE: 5/8" x 5/8" x 2 5/8" L 3/16" HOLES 1 1/2 C TO C	\$33.00	
*T126	EQUIV. TOLEDO NO. 46188 SIZE: 5/8" x 5/8" x 2 3/4" L 3/16" HOLES 1 1/2 C TO C	\$33.00	
*T127	EQUIV. TOLEDO NO. 46189 SIZE: 5/8" x 5/8" x 3 5/8" L 1/4" HOLES 2 1/4 C TO C	\$38.00	
*T131	EQUIV. TOLEDO NO. 46190 SIZE: 5/8" x 5/8" x 5 1/4" L 1/4" HOLES 3 1/4 C TO C	\$41.00	
*T556	EQUIV. TOLEDO NO. 73162 SIZE: 5/8" x 5/8" x 2 3/4" L FRICTION PLATES INCLUDED 1/4" HOLES 1 1/2 C TO C	\$82.00	
*T555	EQUIV. TOLEDO NO. 72294 SIZE: 5/8" x 5/8" x 3 5/8" L FRICTION PLATES INCLUDED 1/4" HOLES 2 1/4 C TO C	\$82.00	
*T553	EQUIV. TOLEDO NO. 73687 SIZE: 13/16" x 13/16" x 8 3/8" L TOTAL LENGTH: 16 3/4" GROUND IN SETS OF TWO FITS SADDLE BLOCK NO. 73668 & 94003	\$210.00	

# Individual Toledo Scale Parts

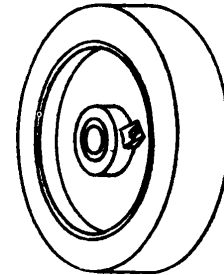
Pins For Bearing On Built-In, Livestock, Cabinets

RL PART #	DESCRIPTION	SUGG. LIST	
15276	HEADS 30, 31, 32, 33, 40 EQUIV. TOLEDO NO. 23947 SIZE: 5/16" DIA x 1 5/8" OVERALL LENGTH HOLE SIZE: 1/8", 1 1/4" CENTER TO CENTER MODELS: 2242, 2282	\$6.00	
*T537	EQUIV. TOLEDO NO. 5339 SIZE: 1/2" DIA x 3" OVERALL LENGTH HOLE SIZE: 3/16" MODELS: 2171, 2271, 2410, 2420, 2430 PIN USE COTTER KEY PN 15244	\$26.00	

TOLEDO

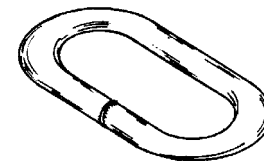
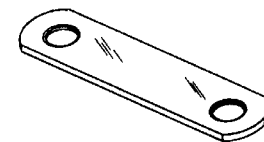
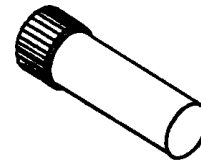
# Individual Toledo Scale Parts

RL PART #	DESCRIPTION	SUGG. LIST
T554	EQUIV. TOLEDO NO. 29415 WHEEL: 6" x 3/4" BORE HUB: 1 5/8" USED ON 2181, 4200 SERIES	\$76.00

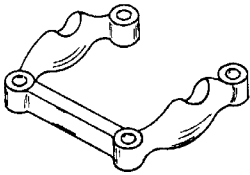
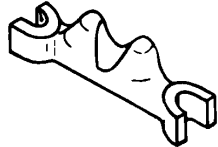
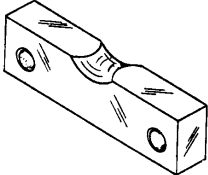
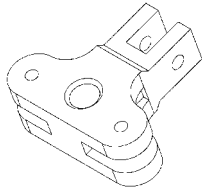


For Built-In And Livestock Scales

RL PART #	DESCRIPTION	SUGG. LIST
T141	EQUIV. TOLEDO NO. 8619 SIZE: 5/16" x 1" L MODELS: 31-1800, 31-1890, 2181, 2481, 2881, 8800 PIN, USE WITH T142L & T246	\$14.00
T217	EQUIV. TOLEDO NO. 4018 SIZE: 7/16" x 2" L MODELS: 2151, 2191 PIN, USE WITH T215L & T245	\$17.00
T221	EQUIV. TOLEDO NO. 7967 SIZE: 5/8" DIA x 2 7/16" L MODELS: 31-1700, 31-2700, 2171, 2271, 2410, 2420, 2430 PIN, USE WITH T220L	\$21.00
T136L	EQUIV. TOLEDO NO. 21005 SIZE: 1/8" x 1" x 4 3/8" L HOLE SIZE: 7/16" MODELS: 31-0850, 31-0860, 2030, 2031, 2041 2061, 2071, 2081, 2091, 0860, 0867, 0869, 0890 LINK, SUSPENSION	\$23.00
T142L	EQUIV. TOLEDO NO. 8618 SIZE: 5/16" x 2 1/4" OVERALL LENGTH MODELS: 31-1800, 31-1890, 2181, 2481, 2881, 8800 LOOP OR LINK, USED WITH T141 & T246	\$24.00
T215L	EQUIV. TOLEDO NO. 17215 SIZE: 1/2" x 3 1/4" OVERALL LENGTH MODELS: 2151, 2191 LOOP OR LINK, USE WITH T217 & T245	\$42.00
*T220L	EQUIV. TOLEDO NO. 5334 SIZE: 5/8" x 3 3/8" INSIDE LENGTH MODELS: 31-700, 31-2700, 2171 2271, 2410, 2420, 2430, LOOP, USE WITH T221 PIN & T222 BAR	\$39.00




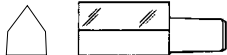


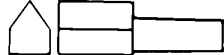
# Individual Toledo Scale Parts

RL PART #	DESCRIPTION	SUGG. LIST	
T246	EQUIV. TOLEDO NO. 14764 SIZE: 15/16" H x 2 7/8" W x 3 1/8" L MODELS: 31-1800, 31-1890, & 2181, 2481, 2881, 8800 BRACKET-LINK, USE WITH T141 & T142L	\$43.00	
T245	EQUIV. TOLEDO NO. 17214 SIZE: 1" x 1 1/4" x 4 1/2" L MODELS: 2151, 2191, & 31-SERIES FLOOR SCALES BAR, LINK, USE WITH T215L	\$44.00	
T222	EQUIV. TOLEDO NO. 5350 SIZE: 3/4" x 1 1/4" x 4 5/8" L HOLE SIZE: 7/16" MODELS: 2171, 2271, 2410, 2420, 2430, 31-1700, 31-2700 BAR, LINK, USE WITH T220L	\$45.00	
99155	EQUIV. TOLEDO NO. 17217 SIZE: 2" x 5 1/8 H x 5 5/8 YOKE: USE BEARING: T104 PIN: T537 LINK: T215L LINK PIN: T217	\$256.00	

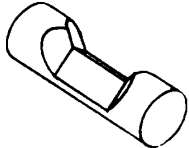
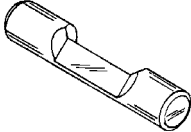
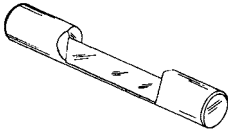
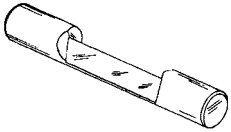
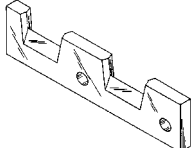
**TOLEDO**

# Individual Toledo Scale Parts

## Tapered Shank Pivots

RL PART #	DESCRIPTION	SUGG. LIST	
T122P	EQUIV. TOLEDO NO. 11783, 23153 SIZE: 1/2" DIA x 13/16" H x 2 3/4" L	\$31.00	
*T188P	EQUIV. TOLEDO NO. 8946 SIZE: 1/2" DIA x 13/16" H x 2 3/16" L	\$37.00	
*T123P	EQUIV. TOLEDO NO. 75565, 32351 SIZE: 13/32" DIA x 5/8" H x 2" L	\$32.00	
*T124P	EQUIV. TOLEDO NO. 11780, 75337 SIZE: 1/4" DIA x 7/16" H x 1 17/32" L	\$32.00	
*T135P	EQUIV. TOLEDO NO. 11785, 75936 (23048 OLD) SIZE: 1/4" DIA x 7/16" H x 1 13/16" L	\$32.00	

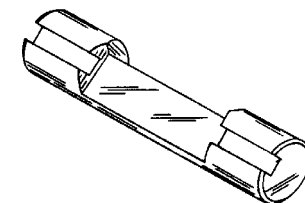
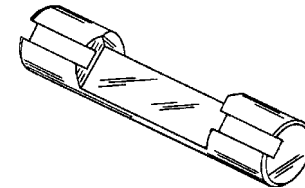
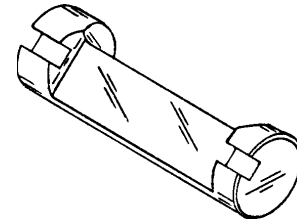
## Pivots

RL PART #	DESCRIPTION	SUGG. LIST	
*T218P	EQUIV. TOLEDO NO. 49811 SIZE: .342" (11/32") x 1 1/2" L PIVOT EDGE: 3/4"	\$31.00	
T151P	EQUIV. TOLEDO NO. 17251 SIZE: 1/2" DIA LARGE END x 2" L PIVOT EDGE: 7/8" USED IN PORTABLE MODELS, LONG LEVER NOSE	\$29.00	
T150P	EQUIV. TOLEDO NO. 8631, 49809 SIZE: 19/32" DIA LARGE END x 4" L PIVOT EDGE: 2 1/32"	\$40.00	
T161P	EQUIV. TOLEDO NO. 22501 SIZE: 5/8" DIA LARGE END x 2 13/16" L PIVOT EDGE: 1 5/16"	\$42.00	
T153P	EQUIV. TOLEDO NO. 32343 SIZE: 1/4" THICK x 1" H x 4 1/4" L MODELS: 2031, 2041, 2061, 2071, 2081, 2091, 2181, 2481, 2881 PIVOT, NOSE IRON, BENCH & PORT	\$44.00	

# Individual Toledo Scale Parts

## Pivots

RL PART #	DESCRIPTION	SUGG. LIST
*T195P	EQUIV. TOLEDO NO. 39956 SIZE: 7/8" x 2 1/32" PIVOT EDGE x 3 1/4" L MODELS: 2352, 2372, 2382 SERIES: 2-5	\$42.00
T196P	EQUIV. TOLEDO NO. 39926 SIZE: 7/8" x 2 3/4" PIVOT EDGE x 4 1/8" L MODELS: 2352, 2372, 2382 SERIES: 20-24-30-40-50	\$44.00
T197P	EQUIV. TOLEDO NO. 39957 SIZE: 1 1/8" x 2 1/32" PIVOT EDGE x 3 1/4" L MODELS: 2352, 2372, 2382, SERIES: 6-8-10-20 USE WEDGE T204	\$48.00
*T198P	EQUIV. TOLEDO NO. 39955 SIZE: 1 1/8" x 3 11/16" PIVOT EDGE x 5 1/4" L MODELS: 2352, 2372, 2382 SERIES: 24-30-40-50-60-80-100	\$64.00
*T199P	EQUIV. TOLEDO NO. 39931 SIZE: 1 3/8" x 5 5/16" PIVOT EDGE x 7 1/8" L MODELS: 2352, 2372, 2382 SERIES: 60-80-100	\$98.00
*T145P	EQUIV. TOLEDO NO. 23940 SIZE: 3/4" x 2 1/32" PIVOT EDGE x 3 3/4" L USED IN #0-SERIES CAPACITY 500 TO 2000 LB USE WEDGE T200 HOPPER SCALE	\$52.00
T146P	EQUIV. TOLEDO NO. 23941 SIZE: 7/8" x 2 1/32" PIVOT EDGE x 3 15/16" L USED IN #1-SERIES CAPACITY 2000 TO 5000 LB USE WEDGE T200 HOPPER SCALE	\$56.00
*T147P	EQUIV. TOLEDO NO. 23942 SIZE: 1 1/8" x 3 15/16" L PIVOT EDGE: 2 1/32" USED IN #2-SERIES CAPACITY 5,000 TO 10,000 LB HOPPER SCALE USE WEDGE T230	\$72.00

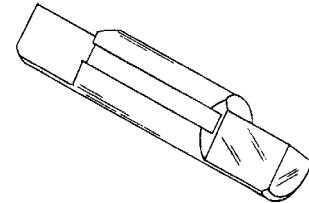
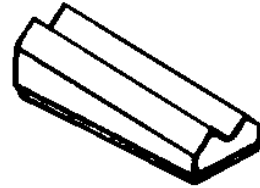


**TOLEDO**

# Individual Toledo Scale Parts

## Wedges For Round Pivots

RL PART #	DESCRIPTION	SUGG. LIST
T229	EQUIV. TOLEDO NO. 24328 SIZE: 5/16" W x 9/32" H x 1 1/8" L USE WITH T192P	\$24.00
*T230	EQUIV. TOLEDO NO. 24322 SIZE: 3/8" W x 5/16" H x 1 1/8" L USE WITH T193P	\$24.00
T200	EQUIV. TOLEDO NO. 24321 SIZE: 1/4" W x 3/16" H x 3/4" L USE WITH T145P, T146P, T168P, T169P & T190P	\$19.00
T204	EQUIV. TOLEDO NO. 26829 SIZE: 1/4" W x 3/16" H x 7/16" L	\$19.00
T168P	EQUIV. TOLEDO NO. 22535 SIZE: 3/4" x 3 1/2" L PIVOT EDGE: 7/8" USE T200 WEDGE	\$39.00
*T169P	EQUIV. TOLEDO NO. 22544 SIZE: 7/8" x 4 1/8" L PIVOT EDGE: 1 9/32" CENTER: 1 17/32" USE T200 WEDGE	\$49.00
*T241P	EQUIV. TOLEDO NO. 23013 SIZE: 7/8" x 4 3/16" L PIVOT EDGE: 1 1/4" CENTER: 1 21/32" USE WEDGE T204	\$74.00
*T190P	EQUIV. TOLEDO NO. 23976	\$56.00
*T190PSS	EQUIV. TOLEDO NO. 66022, STAINLESS STEEL SIZE: 1" x 4 3/8" L PIVOT EDGE: 1 5/16" USE T200 WEDGE	\$95.00



# Individual Toledo Scale Parts

## Pivots

RL PART #	DESCRIPTION	SUGG LIST	
T166P	EQUIV. TOLEDO NO. 23829 SIZE: 1 1/16" x 2 1/2" L MOTOR TRUCK SCALE PIVOT	\$45.00	
T181P	EQUIV. TOLEDO NO. 23620 SIZE: 7/8" x 2 7/16" L MOTOR TRUCK SCALE PIVOT	\$43.00	
T167P	EQUIV. TOLEDO NO. 22507 SIZE: 1 1/4" x 8 3/8" L MOTOR TRUCK SCALE PIVOT USE WEDGE T229	\$98.00	
*T170P	EQUIV. TOLEDO NO. 22503 SIZE: 1 3/4" x 8 1/2" L MOTOR TRUCK SCALE PIVOT	\$150.00	
*T179P	EQUIV. TOLEDO NO. 23631 SIZE: 3/4" x 4 3/8" L	\$57.00	
*T180P	EQUIV. TOLEDO NO. 23624 SIZE: 1" x 5 1/8" L MODELS: 2691, 2791	\$75.00	
*T194P	EQUIV. TOLEDO NO. 23674 SIZE: 1" x 5 5/8" L MODELS: 2691, 2791 (2780-2890 5 SEC. ONLY)	\$76.00	
*T176P	EQUIV. TOLEDO NO. 25648 SIZE: 1/2" x 3 1/4" L UPPER CENTER CONNECTION MODELS: 2151, 2191, 2242, 2282	\$44.00	
*T177P	EQUIV. TOLEDO NO. 25649 SIZE: 5/8" x 5 3/8" L LOWER CENTER CONNECTION MODELS: 2151, 2191, 2242, 2282	\$50.00	
T178P	EQUIV. TOLEDO NO. 18399 SIZE: 7/8" x 4 1/2" L MODELS: 2151, 2191, 2242, 2282 PIVOT, LOAD & FULCRUM	\$52.00	
*T184P	EQUIV. TOLEDO NO. 23615 SIZE: 1" x 6 3/4" L MODELS: 2691, 2791	\$89.00	
*T202P	EQUIV. TOLEDO NO. 23607 SIZE: 1" x 8" L	\$94.00	
T182P	EQUIV. TOLEDO NO. 23666 SIZE: 1 1/4" x 9 1/2" L MODELS: 2780, 2791, 2890	\$127.00	

**TOLEDO**

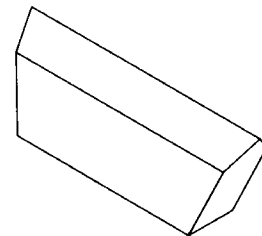
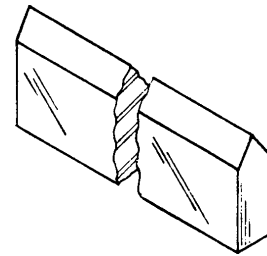


# Individual Toledo Scale Parts

## Pivots

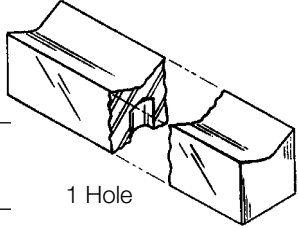
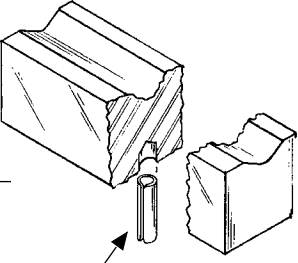
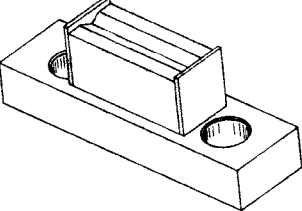
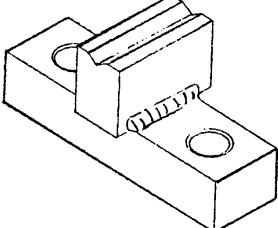
TOLEDO

RL PART #	DESCRIPTION	SUGG. LIST
T132P	EQUIV. TOLEDO NO. 22483 SIZE: 3/8" x 1" x 2 5/8" L MODELS: 2781-2891 EXTENSION LEVERS, TANK & HOPPER SCALES 2501-2601	\$36.00
T133P	EQUIV. TOLEDO NO. 21620 SIZE: 5/16" x 7/8" x 2 3/32" L MODELS: 2781-2891 EXTENSION LEVERS	\$33.00
T165P	EQUIV. TOLEDO NO. 39154 SIZE: 5/16" x 7/8" x 1 5/8" L MODELS: 2501, 2601 MOTOR TRUCK SCALES, TANK & HOPPER	\$32.00
*T558P	EQUIV. TOLEDO NO. 73124 SIZE: 9/16" x 1 3/8" x 6" L	\$63.00
T134P	EQUIV. TOLEDO NO. 46899 SIZE: 9/16" x 1 3/8" x 5 11/16" L	\$51.00
T232P	EQUIV. TOLEDO NO. 47238 SIZE: 9/16" x 1 3/8" x 4 3/4" L	\$49.00
T231P	EQUIV. TOLEDO NO. 47241 SIZE: 9/16" x 1 3/8" x 4" L	\$48.00
*T562P	EQUIV. TOLEDO NO. 72369 SIZE: 9/16" x 1 3/8" x 2 5/8" L	\$45.00
P716P	EQUIV. TOLEDO NO. 3105 SIZE: 1/2" x 1 1/8" x 6 1/2" PIVOT, PORTABLE VEHICLE	\$38.00
H655P	EQUIV. TOLEDO NO. 3107 SIZE: 1/2" x 1 1/8" x 4" PIVOT, PORTABLE VEHICLE	\$35.00
10797	EQUIV. TOLEDO NO. 3109 SIZE: 1/2" x 1 1/8" x 2 5/8" PIVOT, PORTABLE VEHICLE	\$32.00



# Individual Toledo Scale Parts

## Bearings

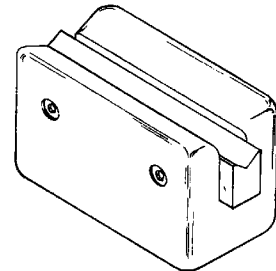
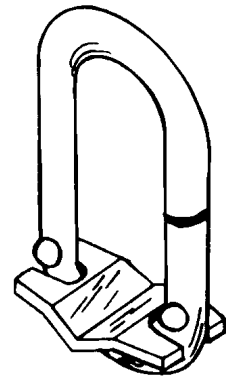
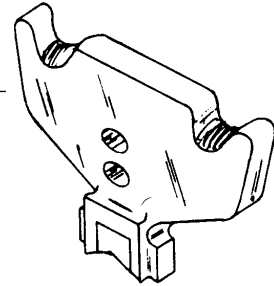
RL PART #	DESCRIPTION	SUGG. LIST	
T128	EQUIV. TOLEDO NO. 47030 SIZE: 5/8" x 5/8" x 3 15/16" L MODELS: 2691-2791 MOTOR TRUCK SCALES	\$38.00	 <p>1 Hole</p>
T129	EQUIV. TOLEDO NO. 47027 SIZE: 5/8" x 5/8" x 4 11/16" L	\$40.00	
T130	EQUIV. TOLEDO NO. 39285 SIZE: 5/8" x 5/8" x 5 5/8" L MODELS: 2592, 2692, 2792 MOTOR TRUCK-STEEL LEVER	\$42.00	
H624	EQUIV. TOLEDO NO.3106 SIZE: 1" x 1" x 6 1/2" BEARING, PORTABLE VEHICLE	\$47.00	
H691	EQUIV. TOLEDO NO. 3108 SIZE: 1" x 1" x 4" BEARING, PORTABLE VEHICLE	\$35.00	
			Part No. 15263
P701	EQUIV. TOLEDO NO. 3110 SIZE: 3/4" x 2 1/4" x 6" BEARING, PORTABLE VEHICLE 11/16" HOLES	\$52.00	
P702	EQUIV. TOLEDO NO. 3111 SIZE: 3/4" x 2 1/4" x 6" BEARING, PORTABLE VEHICLE 11/16" HOLES	\$50.00	

TOLEDO

# Individual Toledo Scale Parts

TOLEDO

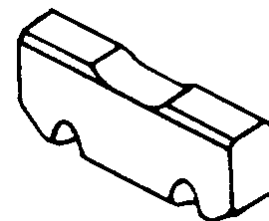
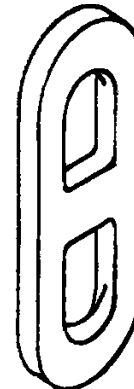
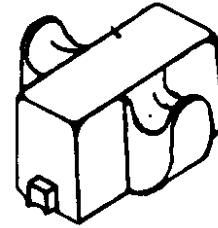
RL PART #	DESCRIPTION	SUGG. LIST
T547	EQUIV. TOLEDO NO. 23627, 92960 SIZE: 1 1/8" THICK AT BEARING x 3 1/8" H x 4 1/4" W MODELS: 2591, 2592, 2691, 2692, 2791, 2792 SUPPORT, CONNECTION LINK	\$90.00
T529	EQUIV. TOLEDO NO. 23622, 92959 SIZE: 5 1/2" x 4 3/8" BEARING: 5/8" x 5/8" x 1 3/8" MODELS: 2591, 2592, 2691, 2692, 2780, 2781, 2791, 2792, 2890, 2891 CASTING NO. 92959 SUPPORT, CONNECTION LINK	\$98.00
T548	EQUIV. TOLEDO NO. 23282 SIZE: 7/16" DIA x 2 3/4" INSIDE LENGTH MODELS: 2591, 2592, 2691, 2692, 2791, 2792 LINK WITH BEARING	\$62.00
T530	EQUIV. TOLEDO NO. 23275 SIZE: 7/16" DIA x 3 3/4" INSIDE LENGTH MODELS: 2591, 2592, 2691, 2692, 2792 LINK WITH BEARING	\$62.00
T531	EQUIV. TOLEDO NO. 23443 SIZE: 9/16" DIA x 3 3/4" INSIDE LENGTH MODEL: 2791 LINK WITH BEARING	\$66.00
T154	EQUIV. TOLEDO NO. 23669 SIZE: 5 11/16" OVERALL LENGTH WITH INSERT T130 MODELS: 7900-7951 FULCRUM BEARING RETAINER	\$140.00
T155	EQUIV. TOLEDO NO. 23610 SIZE: 4 11/16" OVERALL LENGTH WITH INSERT T129 MODELS: 6900-6951, 7900-7951 FULCRUM BEARING RETAINER	\$148.00
T156	EQUIV. TOLEDO NO. 23616 SIZE: 3 15/16" OVERALL LENGTH WITH INSERT T128 MODELS: 4900-4951, 5900-5951, 6900-6951, 7900-7951 FULCRUM BEARING RETAINER	\$140.00



# Individual Toledo Scale Parts

Motor Truck, Livestock & Built-In Platform Suspension Parts  
For Models: 2591, 2691, 2780, 2791, 2890

RL PART #	DESCRIPTION	SUGG. LIST
T207	EQUIV. TOLEDO NO. 23651 SIZE: 3 1/4" OVERALL LENGTH OF CASTING 4" OVERALL LENGTH OF BEARING WITH T128 BEARING INSERT MODELS: 2591 & 2592 SADDLE BLOCK 6 LB	\$210.00
T208	EQUIV. TOLEDO NO. 23603 SIZE: 4" OVERALL LENGTH OF CASTING 4 3/4" OVERALL LENGTH OF BEARING WITH T129 BEARING INSERT MODELS: 2691 & 2692 SADDLE BLOCK 6 LB	\$220.00
T209	EQUIV. TOLEDO NO. 23662 SIZE: 5" OVERALL LENGTH CASTING 5 3/4" OVERALL LENGTH OF BEARING WITH T130 BEARING INSERT MODELS: 2780, 2781, 2791, 2792, 2890, 2891 SADDLE BLOCK 10 LB 5 OZ	\$230.00
T213L	EQUIV. TOLEDO NO. 23609 SIZE: 7 3/8" INSIDE LENGTH MODELS: 2591, 2592, 2691, 2692 LINK 4 LB 4 OZ	\$105.00
T210L	EQUIV. TOLEDO NO. 23667 SIZE: 8 1/4" INSIDE LENGTH USED IN 50, 60 & 70-TON MODELS: 2791, 2792, 2780, 2781, 2890, 2891 LINK 6 LB 4 OZ	\$125.00
T211	EQUIV. TOLEDO NO. 23608 SIZE: 6 1/4" OVERALL LENGTH MODELS: 2591, 2592, 2691, 2692 TRUNNION BLOCK 5 LB	\$110.00
T212	EQUIV. TOLEDO NO. 23668 SIZE: 7" OVERALL LENGTH USED IN 50, 60, & 70-TON MODELS: 2780, 2781, 2791, 2792, 2890, 2891 TRUNNION BLOCK 6 LB 5 OZ	\$135.00

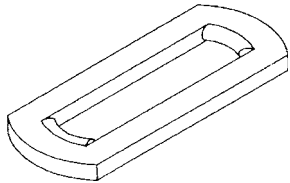
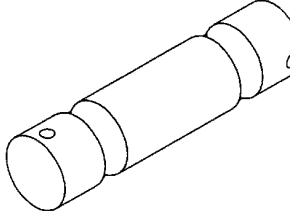
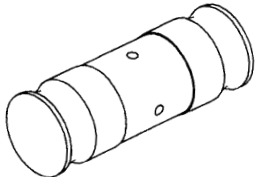
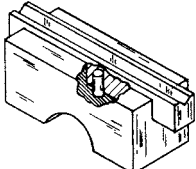


**TOLEDO**


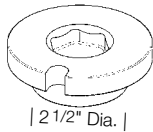

**SEE TOLEDO KITS SECTION FOR COMPLETE KITS**

# Individual Toledo Scale Parts

Built By Powell, All Steel

RL PART #	DESCRIPTION	SUGG. LIST	
69784	EQUIV. TOLEDO NO. 3101 SIZE: 3/4" THICK x 5" WIDE x 12 3/8" INSIDE: 8 1/8" LINK	\$86.00	
P705	EQUIV. TOLEDO NO. 3104 SIZE: 2" DIA x 8 1/8" LOWER TRUNNION PIN NEW STYLE 4 1/2" C TO C RADIUS	\$135.00	
P707	EQUIV. TOLEDO NO. 3103 SIZE: 2" DIA x 5 5/8" SADDLE BLOCK PIN UPPER, NEW STYLE	\$109.00	
71043	EQUIV. TOLEDO NO. 3102 SIZE: 2" x 2" x 5" SADDLE BLOCK ONLY NEW STYLE USE BEARING H624	\$91.00	

## Digital Load Cell Part

RL PART #	DESCRIPTION	SUGG. LIST	
71602	EQUIV. TOLEDO NO. TA200764 SIZE: 1 1/4" x 3 3/4" DIA RECEIVER CUP, UPPER W/O RING 72103, 22.5 TON FOR MODELS 7461, 7531, 7541, 7560-7562	\$132.00	
101563	EQUIV. TOLEDO NO. TA200814 SIZE: 1 1/4" x 3 3/4" DIA RECEIVER CUP, W/HEX 22.5 TON FOR MODELS 7461, 7531, 7541, 7560-7562	\$132.00	
156255	EQUIV. TOLEDO NO. 200835-1 SIZE: 1 1/2" x 3 3/4" DIA RECEIVER CUP, UPPER W/O RING PN 94272 45 TON	\$145.00	

# Individual Toledo Scale Parts

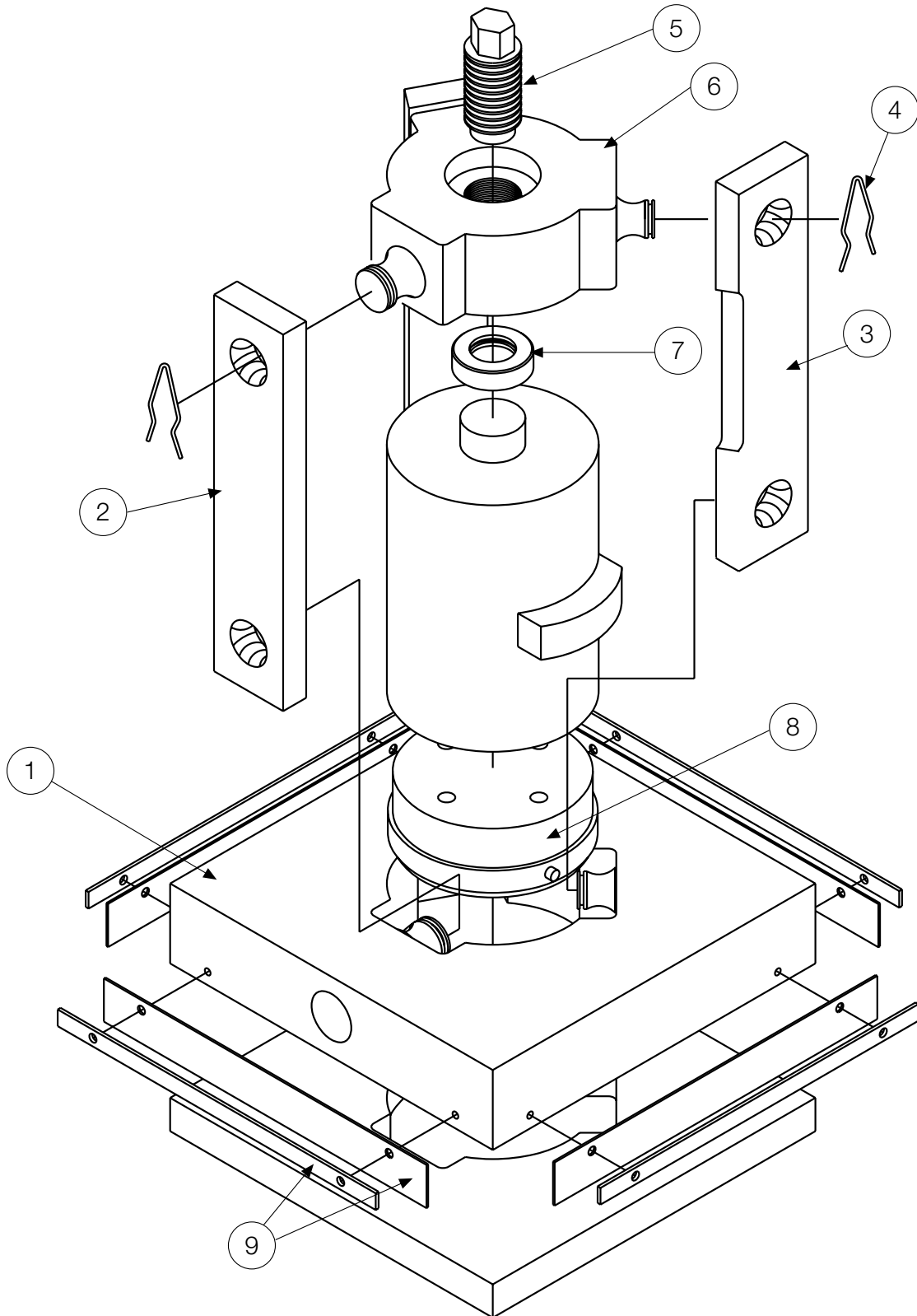
## Digital Load Cell Mount Parts

RL PART #	DESCRIPTION	SUGG. LIST	
156254	EQUIV. TOLEDO NO. TA205337 SIZE: 1 1/2" x 4 1/8" RECEIVER CUP, LOWER 45 TON	\$145.00	   2 3/4" Dia.
108684	EQUIV. TOLEDO NO. TN203173, MN61016-13 SIZE: 9/15" THICK X 1 3/4" ID X 3 1/2" OD GASKET/SEAL	\$8.00	
108663	EQUIV. TOLEDO NO. TA200712-2 SIZE: .062" THICK 15 GA SHIM	\$12.00	
108662	EQUIV. TOLEDO NO. MZ0904000063 SIZE: 1/2" DIA X 1 1/2" ROLL PIN	\$7.50	
109234	EQUIV. TOLEDO NO. TA200937-2 SIZE: 3/4" x 6" x 16" BASE PLATE, CENTER NO STOP	\$148.00	
108927	EQUIV. TOLEDO NO. TA200937-3 SIZE: 3/4" x 6" x 16" BASE PLATE, LEFT WITH STOP, PICTURED	\$166.00	
108928	EQUIV. TOLEDO NO. TA200937-4 SIZE: 3/4" x 6" x 16" BASE PLATE, RIGHT WITH STOP	\$166.00	
100268	EQUIV. TOLEDO NO. TA000088-008 SIZE: 8 FEET CABLE	\$295.00	
101102	EQUIV. TOLEDO NO. TA000088-012 SIZE: 12 FEET CABLE	\$315.00	
104164	EQUIV. TOLEDO NO. TA000088-015 SIZE: 15 FEET	\$318.00	
100269	EQUIV. TOLEDO NO. TA000088-026 SIZE: 26 FEET CABLE	\$365.00	
100270	EQUIV. TOLEDO NO. TA000088-035 SIZE: 35 FEET CABLE	\$375.00	

**TOLEDO**

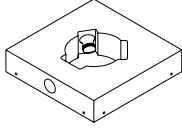
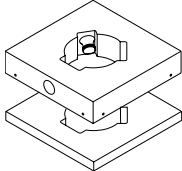




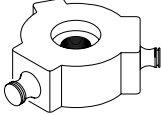

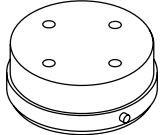
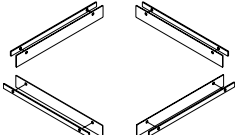
# Toledo Scale Parts Reference

For Bridgemaster Model 7500



# Individual Toledo Scale Parts

For Bridgmaster Model 7500

REF	RL PART #	QTY	DESCRIPTION	SUGG.LIST	
1	22277	1	EQUIV. TOLEDO NO. 10015600A SIZE: 3" HIGH x 14" x 14" LOCATING PLATE LINK PINS ON CENTER PIN PART # 22271 P.N. FOR PINS THAT FIT TOLEDO PLATES, 101169	\$910.00	
1	*22275	1	EQUIV. TOLEDO NO. 10010900A SIZE: 4 1/4" HIGH x 14" x 14" LOWER PLATE, WITH BOTTOM PLATE LINK PINS OFF CENTER PIN PART # 22271	\$1,275.00	
	33915 30302		Upper Plate Lower Plate	\$910.00 \$365.00	
2	22272	2	EQUIV. TOLEDO NO. 10011500B SIZE: 1" x 3" x 14 1/8" UN-NOTCHED LINKS	\$235.00	
3	22273	1	EQUIV. TOLEDO NO. 10011500A SIZE: 1" x 3" x 14 1/8" NOTCHED LINK	\$245.00	
4	22251	6	EQUIV. TOLEDO NO. 10011700A SIZE: FIT LINK PINS RETAINING CLIPS	\$15.00	
5	22274	1	EQUIV. TOLEDO NO. 10011300A SIZE: 1 3/4" - 12 THREAD x 4 3/16" CENTER SCREW 100K	\$110.00	
6	22276	1	EQUIV. TOLEDO NO. 10010600A SIZE: 3" THICK UPPER PLATE PIN PART # 22271	\$637.00	
7	22269	1	EQUIV. TOLEDO NO. 10011400A SIZE: 2 1/2" DIAMETER x 11/16" ADAPTOR RING WITH O-RING	\$88.00	
8	22268	1	EQUIV. TOLEDO NO. 10011800A SIZE: 6 7/16" DIAMETER x 2 9/16" BASE PLATE USE ALLEN HD CAP SCREW PN 15076 1/2" - 20" x 2 1/4"	\$410.00	
9	22252	4	EQUIV. TOLEDO NO. 10010400A SIZE: 1/16" x 1 5/8" x 14" SKIRT KIT	\$110.00	

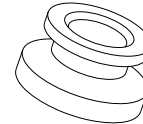
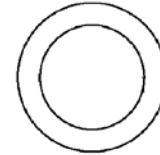
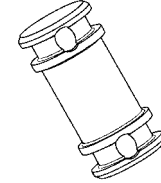
TOLEDO



# Individual Toledo Scale Parts

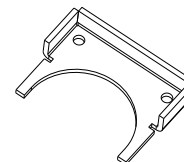
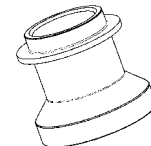
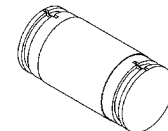
## Electronic Floor Scales

RL PART #	DESCRIPTION	SUGG. LIST
108612	EQUIV. TOLEDO NO. TN200050 SIZE: 0.593" DIA X 1.25" ROCKER PIN WITHOUT RINGS, 1 - 5 K SCALES, 250LB - 2.5K LOAD CELLS	\$62.00
130408	EQUIV. TOLEDO NO MN21018 SIZE: 0.593" DIA X 1.5" ROCKER PIN WITHOUT RINGS 10K SCALE 5K LOAD CELLS	\$64.00
131376	EQUIV TOLEDO NO. TN201975 SIZE: 0.875" DIA X 1.75" 20K SCALE, 10K LOAD CELLS	\$94.00
108202	EQUIV. TOLEDO NO. MZ0909000005 SIZE: .437" ID X .625" OD O RING FOR PN108612 & 131376 FOR MODEL 2158SS EZ-CLEAN 1 - 5 K 2256	\$5.00
109695	EQUIV. TOLEDO NO MZ0909000012 SIZE: 0.675" ID X 0.875" OD O-RING FOR 131376	\$5.00
130407	EQUIV. TOLEDO NO. MN21016 SIZE: 1.375" DIA X 0.750" H RECEIVER CUP FOR 130408	\$70.00

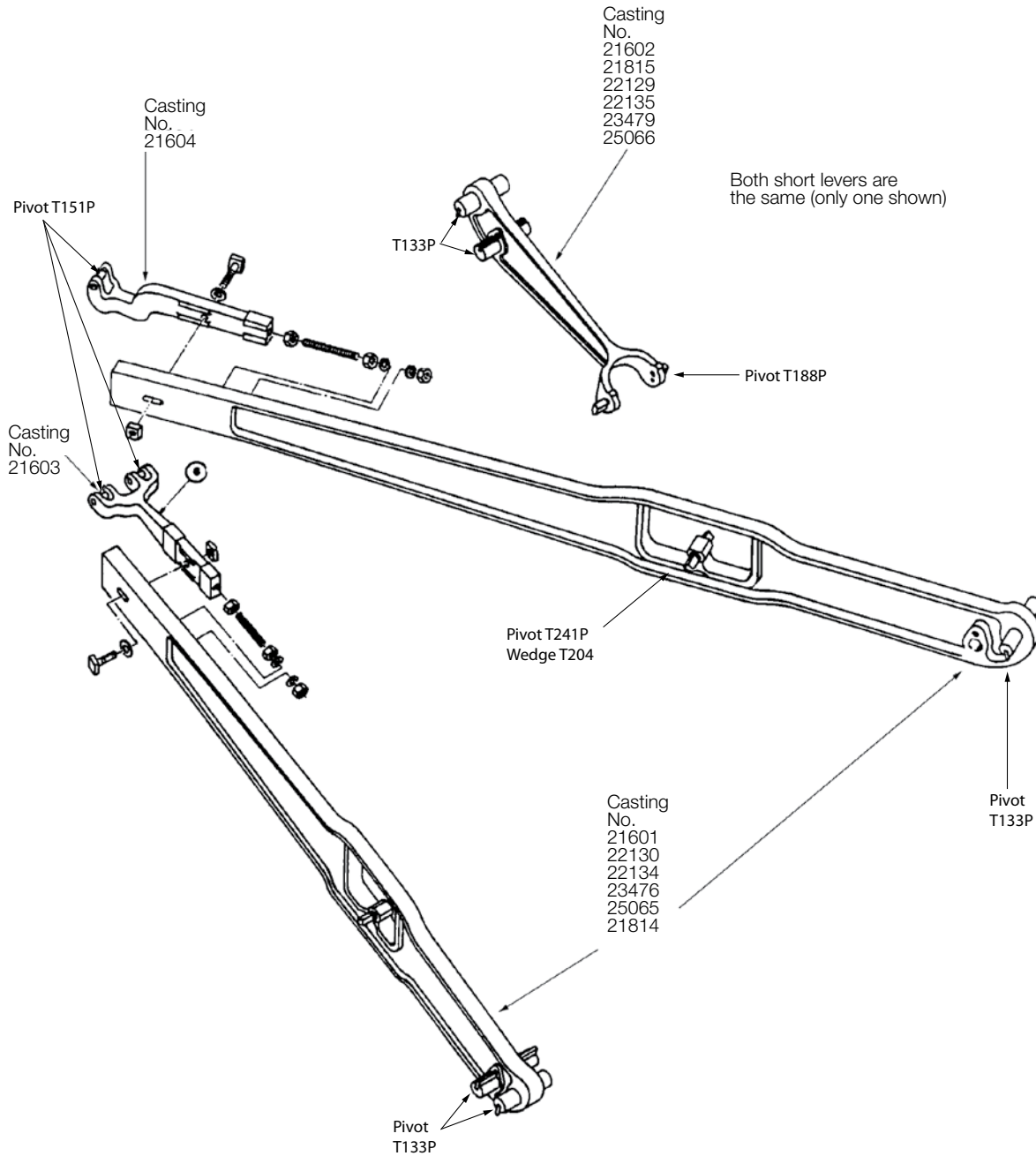


### MASSTRON TRUCK SCALES

RL PART #	DESCRIPTION	SUGG. LIST
108895	EQUIV. TOLEDO NO. MN31475 SIZE: 1 7/16" DIA X 3" H O RING PN 22301 ROCKER PIN WITHOUT RING 92988	\$89.00
109270	EQUIV. TOLEDO NO MN32058 SIZE: 2 3/4" DIA X 2 5/8" H RECEIVER CUP	\$179.00
109323	EQUIV. TOLEDO NO MN31790 SIZE: RETAINER FOR 109270	\$34.00



# Reconditioned Parts



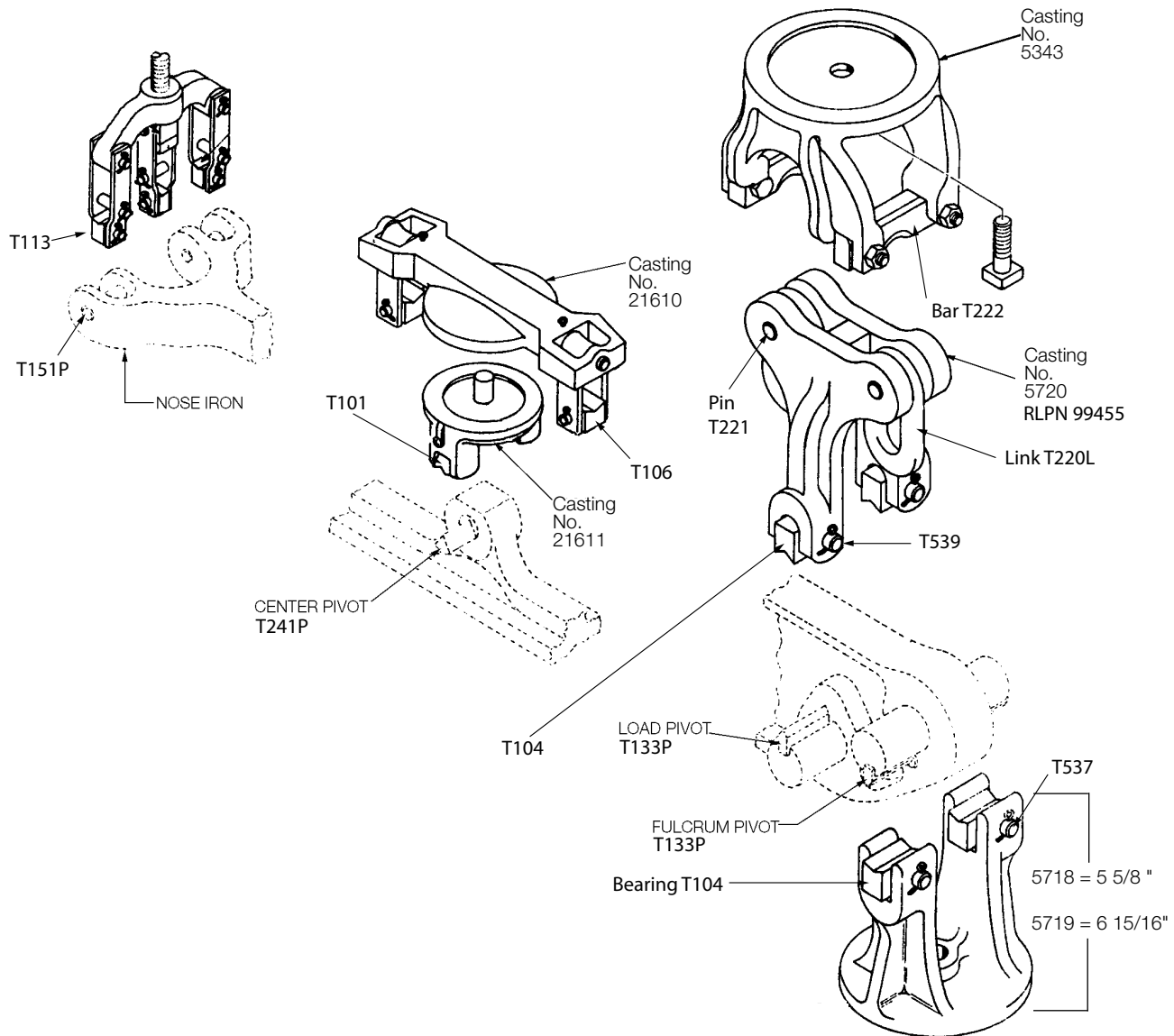
## Main Lever & Nose Iron

Call 715-234-9171 with Casting No. for Price & Availability

TOLEDO

# Reconditioned Parts

TOLEDO

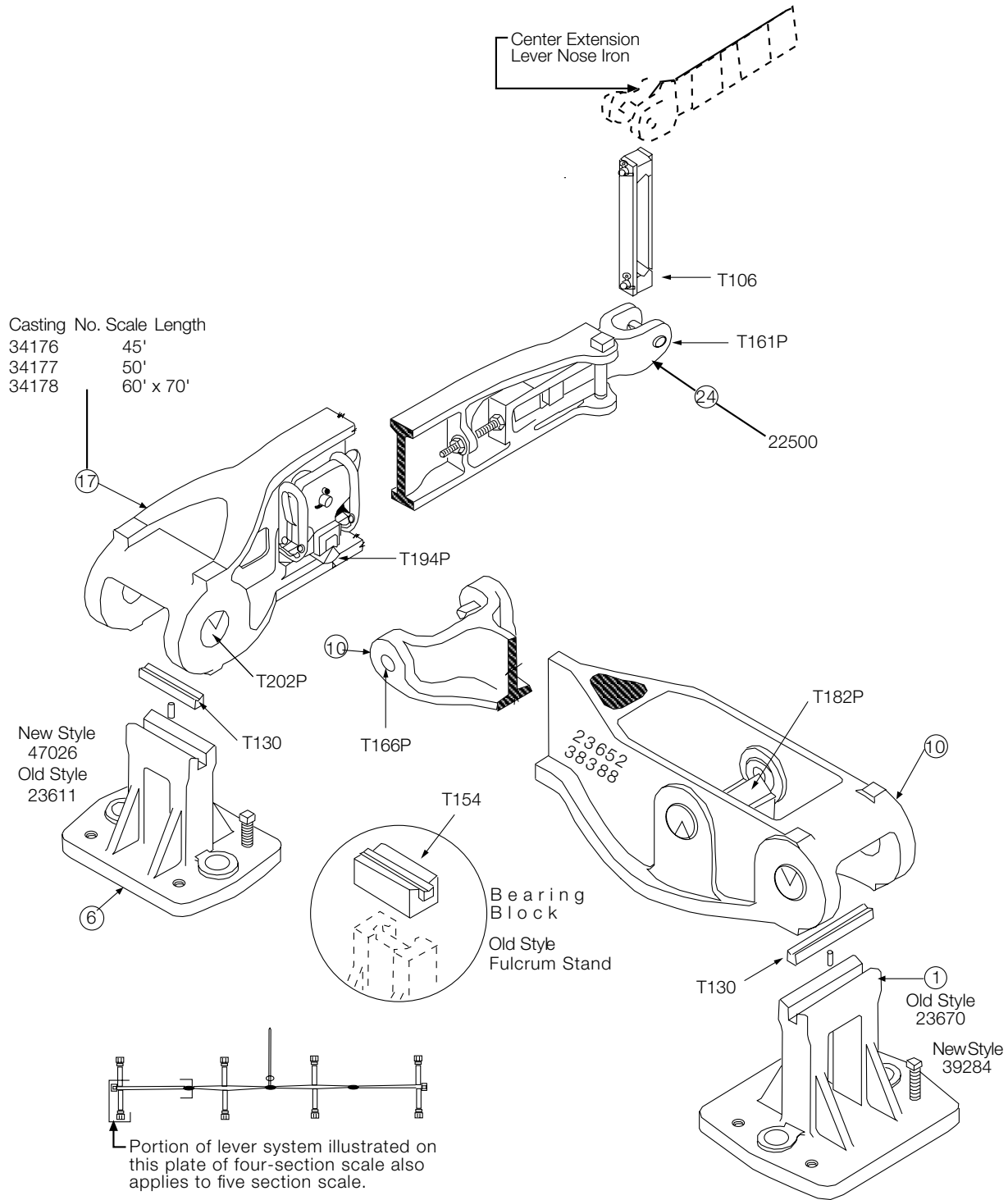


## Bracket, Stand & Yoke

Call 715-234-9171 with Casting No. for Price & Availability

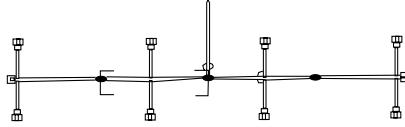
# Reconditioned Parts

**TOLEDO**

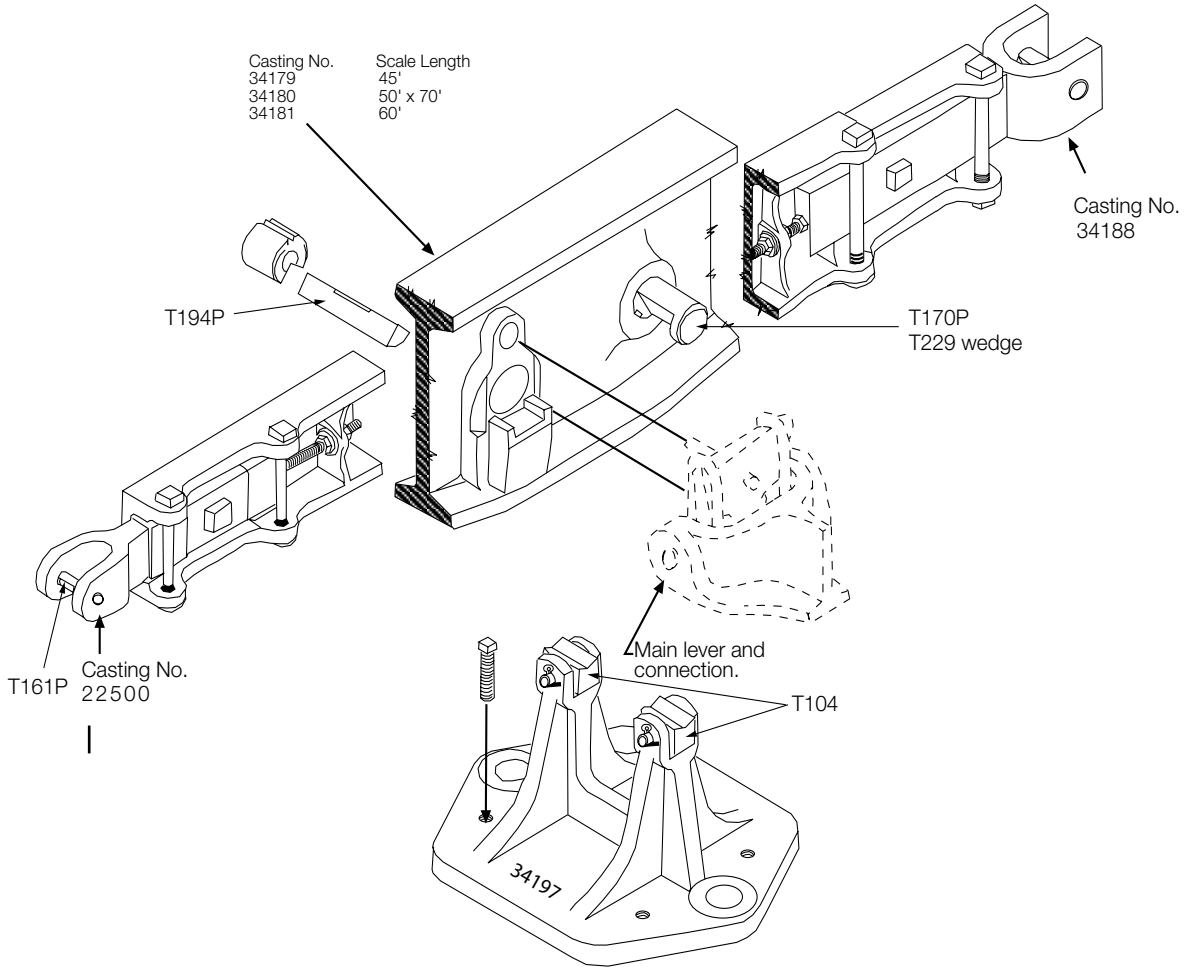


**Main Lever, End Extension, & Stands**  
 Call 715-234-9171 with Casting No. for Price & Availability

# Reconditioned Parts



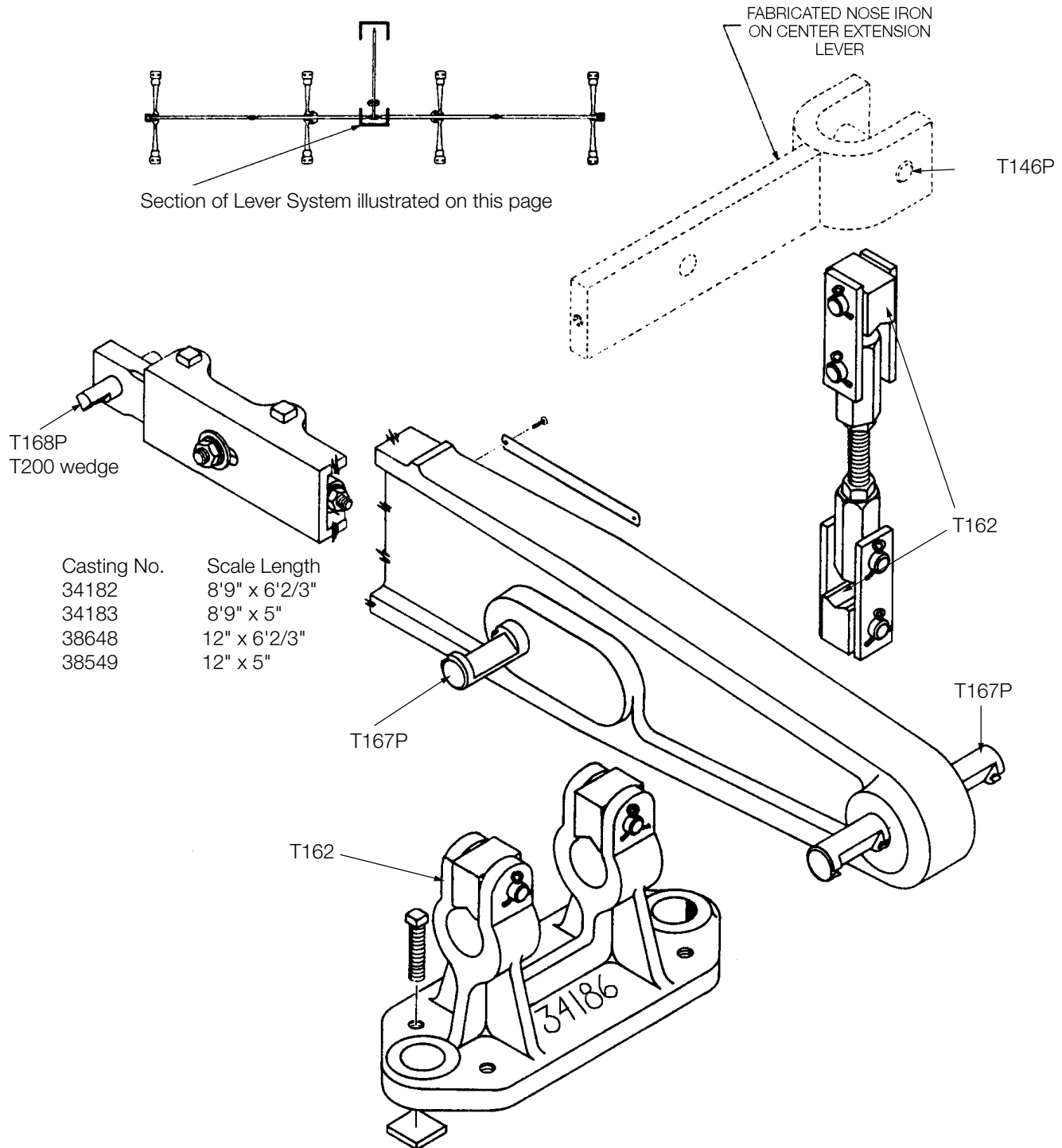
Portion of lever system illustrated on this plate of four-section scale. Also applies to five-section scale.



**Center Extension Lever, Nose Iron & Stand**  
 Call 715-234-9171 with Casting No. for Price & Availability

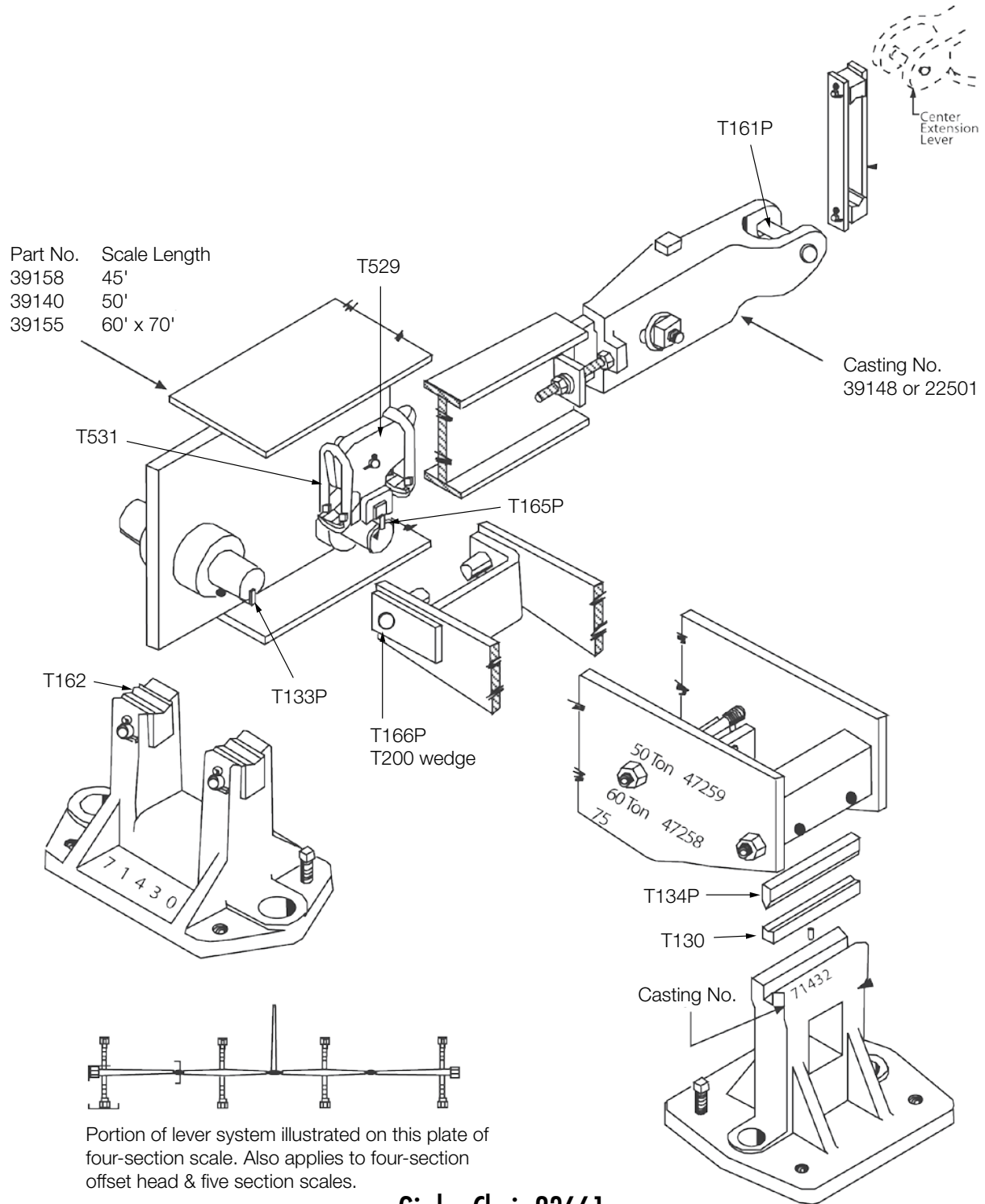
# Reconditioned Parts

**TOLEDO**



Transverse Lever (Cast), Stand & Connection  
 Call 715-234-9171 with Casting No. for Price & Availability

# Reconditioned Parts



Portion of lever system illustrated on this plate of four-section scale. Also applies to four-section offset head & five section scales.

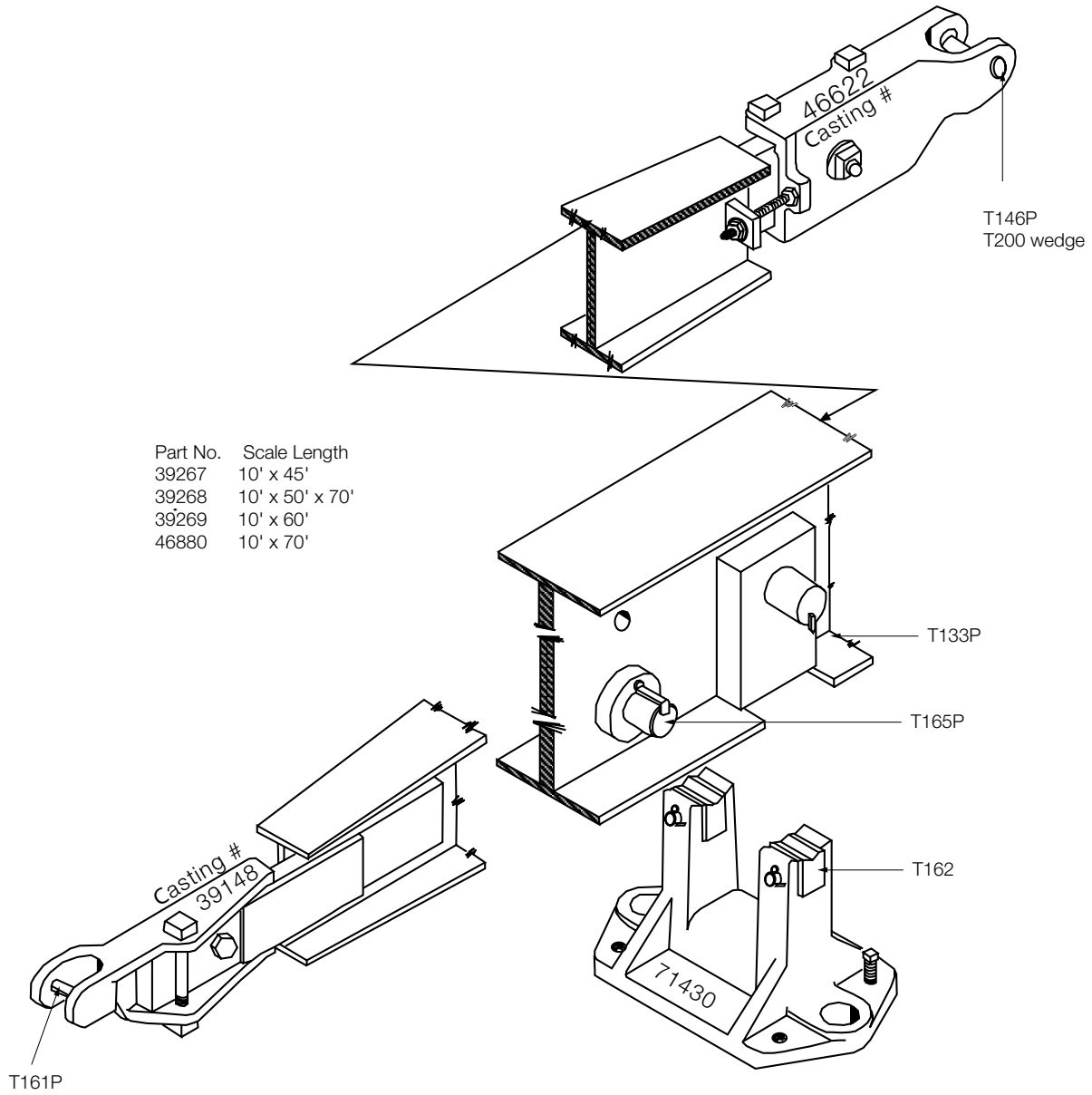
## Girdle Chair 23661

### Main Lever, End Extension, (Steel) Nose Iron & Stands

Call 715-234-9171 with Casting No. for Price & Availability

# Reconditioned Parts

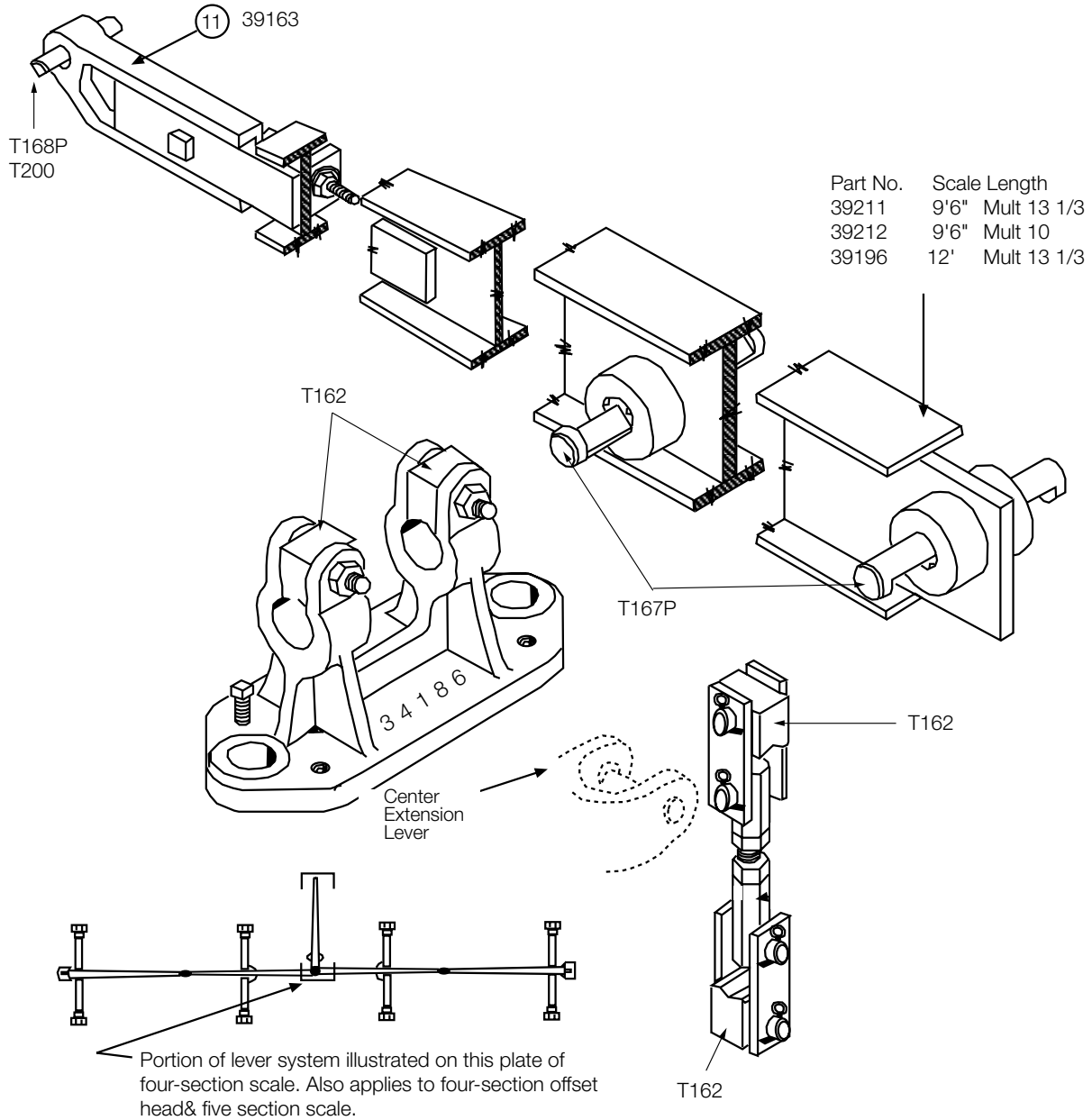
**TOLEDO**



Center Extension, Stand & Nose Irons  
 Call 715-234-9171 with Casting No. for Price & Availability



# Reconditioned Parts



**Transverse Lever, Nose Iron & Stand**  
 Call 715-234-9171 with Casting No. for Price & Availability

# TOLEDO KITS

TOLEDO

# Toledo Kit Price Index

By Rice Lake Part Number

<b>RL PART #</b>	<b>SUGG. LIST</b>	<b>PAGE #</b>
71020.....	\$1,906.00.....	61
71021.....	\$3,721.00.....	64
71062.....	\$6,106.00.....	64
71063.....	\$3,053.00.....	61
89051.....	\$1,321.00.....	60
107661.....	\$2,331.00.....	62
107663.....	\$5,088.00.....	63
107664.....	\$3,131.00.....	63
T-50-K.....	\$1,735.00.....	51
T-54-K.....	\$1,131.00.....	51
T-55-K.....	\$2,600.00.....	52
T-56-K.....	\$4,570.00.....	58
T-57-K.....	\$6,050.00.....	59
T-58-K.....	\$6,060.00.....	56
T-59-K.....	\$7,530.00.....	57
T-65-K.....	\$4,600.00.....	58
T-66-K.....	\$5,750.00.....	59

<b>RL PART #</b>	<b>SUGG. LIST</b>	<b>PAGE #</b>
T-67-K.....	\$3,500.00.....	53
T-69-K.....	\$2,120.00.....	53
T-70-K.....	\$2,200.00.....	54
T-71-K.....	\$2,300.00.....	55
T-72-K.....	\$3,590.00.....	54
T-73-K.....	\$3,830.00.....	55
T-74-K.....	\$2,850.00.....	53
T-76-K.....	\$3,000.00.....	54
T-77-K.....	\$2,975.00.....	55
P-1001K.....	\$2,811.00.....	62
P-1002K.....	\$4,070.00.....	62
P-1003K.....	\$1,291.00.....	60
P-1004K.....	\$2,035.00.....	60

\*Item obsolete or discontinued. When remaining stock is depleted, published prices are withdrawn and the item is subject to a special order quote.

XX Call for Details

# Kit No. T-54-K

Portable Dial, Models 2181, 2481, 2881 & 2184

EQUIV. TOLEDO # 85573

QTY	RL PART #	EQUIV. TOLEDO #	DESCRIPTION
8.....	T101 .....	17806 .....	BEARING
1.....	T109 .....	17212 .....	BEARING
1.....	T113 .....	17231 .....	BEARING
1.....	T116 .....	14662 .....	BEARING
8.....	T122P .....	11783 .....	PIVOT
8.....	T141 .....	8619 .....	PIN
8.....	T142L .....	8618 .....	LINK
1.....	T150P .....	8631 .....	PIVOT
1.....	T151P .....	17251 .....	PIVOT
1.....	T153P .....	32343 .....	PIVOT
4.....	T246 .....	14764 .....	BRACKET

**\$1,131.00** Sugg. List / 10 lb Ship Wt.

# Kit No. T-50-K

Pivot, Bearing & Suspension Levers, Models 2151, 2191, 2154 Lever Tronic, 31-Series, Floor Scales, Black & Gray Lines

QTY	RL PART #	EQUIV. TOLEDO #	DESCRIPTION
8.....	T104 .....	17213 .....	BEARING, LOAD, FULCRUM
1.....	T109 .....	17212 .....	BEARING, UPPER CENTER CONNECTION
1.....	T111 .....	17211 OR 7743 .....	BEARING, LOWER CENTER CONNECTION
1.....	T113 .....	17231 .....	BEARING, NOSE IRON
1.....	T151P .....	17251 .....	PIVOT, NOSE IRON
1.....	T176P .....	25648 .....	PIVOT, UPPER CENTER CONNECTION
1.....	T177P .....	25649 .....	PIVOT, LOWER CENTER CONNECTION
8.....	T178P .....	18399 .....	PIVOT, LOAD, FULCRUM
8.....	T215L .....	17215 .....	LINK
8.....	T217 .....	4018 .....	PIN
8.....	T245 .....	17214 .....	BAR

**\$1,735.00** Sugg. List / 20 lb Ship Wt.

# Kit No. T-55-K

Livestock & Built-In Scale Models 2171, 2271, 2410, 2420, 2430  
LONG LEVER CASTING #25065, 21814, 21601, 23476, 22134, 22130  
SHORT LEVER CASTING #25066, 21815, 21602, 23479, 22135, 22129

QTY	RL PART #	EQUIV. TOLEDO #	DESCRIPTION
4.....	T101 .....	17806 .....	BEARING
16.....	T104 .....	17213 .....	BEARING
4.....	T106 .....	19652 .....	BEARING
3.....	T113 .....	17231 .....	BEARING
16.....	T133P .....	21620 .....	PIVOT
3.....	T151P .....	17251 .....	PIVOT
2.....	T241P .....	23013 .....	PIVOT
4.....	T188P .....	8946 .....	PIVOT
8.....	T220L .....	5334 .....	LINK
8.....	T221 .....	7967 .....	PIN
8.....	T222 .....	5350 .....	BAR
16.....	T223 .....	R653.....	BOLT

**\$2,600.00** Sugg. List / 35 lb Ship Wt.

### Additional Parts For Transverse Lever, Stand & Connection On Models 2410 & 2420

QTY	RL PART #	EQUIV. TOLEDO #	DESCRIPTION
2.....	T102 .....	17918 .....	BEARING
4.....	T113 .....	17231 .....	BEARING
3.....	T168P .....	22535 .....	PIVOT

### Additional Parts For Transverse Lever, Reversing Levers, Stand & Connection On Model 2430

QTY	RL PART #	EQUIV. TOLEDO #	DESCRIPTION
2.....	T101 .....	17806 .....	BEARING
2.....	T106 .....	19652 .....	BEARING
4.....	T113 .....	17231 .....	BEARING
4.....	T162 .....	22461 .....	BEARING
2.....	T167P .....	22507 .....	PIVOT
2.....	T168P .....	22535 .....	PIVOT
1.....	T169P .....	22544 .....	PIVOT

# 15-Ton Motor Truck Scale Kits

TOLEDO

## Kit No. T-67-K

Pivots & Bearings, 2-Section, CAST LEVER SYSTEM With Main Lever #23644, Models 2591 & 4310

QTY	RL PART #	EQUIV. TOLEDO #	DESCRIPTION
2.....	T113.....	17231.....	BEARING, TIP, TRANSVERSE LEVER
7*.....	T156.....	23616.....	OLD STYLE FULCRUM BLOCK W/BEARING, T128 INSERT
OR**.....	T128.....	47030.....	NEW STYLE BEARING, INSERT ONLY
1.....	T168P.....	22535.....	PIVOT, TIP, TRANSVERSE LEVER
1.....	T179P.....	23631.....	PIVOT, LOAD, TRANSVERSE LEVER
2.....	T180P.....	23624.....	PIVOT, LOAD, END LEVER
12.....	T181P.....	23620.....	PIVOT, TIP, END LEVER, MAIN
11.....	T184P.....	23615.....	PIVOT, LOAD & FULCRUM, MAIN LEVERS
8.....	T530.....	23275.....	LINK
4.....	T548.....	23282.....	LINK
4.....	T207.....	23651.....	SADDLE BLOCK
4.....	T529.....	23622.....	SUPPORT BLOCK
2.....	T547.....	23627.....	SUPPORT BLOCK

**\$3,500.00** Sugg. List / 87 lb Ship Wt.

\* T156, OLD STYLE BLOCK WITH BEARING WILL BE SUPPLIED, UNLESS \*\*T128, NEW STYLE BEARING INSERT IS SPECIFIED. BEARING INSERT FROM THE OLD STYLE BLOCK CAN BE REMOVED FOR USE IN NEW STYLE SCALES

## Kit No. T-74-K

Pivots & Bearings, 2-Section, STEEL LEVER SYSTEM Models 2592 & 4311, Main Lever #47261

QTY	RL PART #	EQUIV. TOLEDO #	DESCRIPTION
2.....	T113.....	17231.....	BEARING, NOSE IRON, TRANSVERSE LEVER
4.....	T130.....	39285.....	BEARING, FULCRUM, MAIN LEVER
6.....	T133P.....	21620.....	PIVOT, FULCRUM, 4 ON END EXTENSION, 2 ON TRANSVERSE
4.....	T134P.....	46889.....	PIVOT, FULCRUM, MAIN LEVER
6.....	T162.....	22461.....	BEARING, FULCRUM, 4 ON END EXTENSION, 2 ON TRANSVERSE
4.....	T165P.....	39154.....	PIVOT, LOAD, END EXTENSION
8.....	T166P.....	23829.....	PIVOT, NOSE IRON, MAIN LEVER
1.....	T168P.....	22535.....	PIVOT, NOSE IRON, TRANSVERSE LEVER
4.....	T181P.....	23620.....	PIVOT, NOSE IRON, END EXTENSION LEVER
1.....	T190P.....	23976.....	PIVOT, LOAD, TRANSVERSE LEVER
4.....	T207.....	23651.....	SADDLE BLOCK OR LINK SUPPORT W/BEARING, T128 INSERT
4.....	T231P.....	47241.....	PIVOT, LOAD, MAIN, BEARING, MAIN LEVER LOAD
8.....	T530.....	23275.....	LINK
4.....	T548.....	23282.....	LINK
4.....	T529.....	23622.....	SUPPORT BLOCK
2.....	T547.....	23627.....	SUPPORT BLOCK

**\$2,850.00** Sugg. List / 67 lb Ship Wt.

## Kit No. T-69-K

Suspension Kit For T-67-K & T-74-K

QTY	RL PART #	EQUIV. TOLEDO #	DESCRIPTION
4.....	T207.....	23651.....	SADDLE BLOCK OR SUPPORT LINK
8.....	T213L.....	23609.....	LINK
4.....	T211.....	23608.....	TRUNNION BLOCK, BAR

**\$2,120.00** Sugg. List / 77 lb Ship Wt.

# 20-Ton Motor Truck & Axle Load Scales

TOLEDO

## Kit No. T-72-K

Pivots & Bearings, 2-Section, CAST LEVER SYSTEM With Main Lever #23633, Models 2691 & 4320

QTY	RL PART #	EQUIV. TOLEDO #	DESCRIPTION
2.....	T113 .....	17231 .....	BEARING, NOSE IRON, TRANSVERSE LEVER
4*	T155 .....	23610 .....	OLD STYLE FULCRUM BLOCK W/BEARING, T129 INSERT
OR**	T129 .....	47027 .....	NEW STYLE BEARING INSERT, ONLY
3.....	T156 .....	23616 .....	BEARING, FULCRUM
1.....	T168P .....	22535 .....	PIVOT, NOSE IRON
1.....	T179P .....	23631 .....	PIVOT, LOAD
2.....	T180P .....	23624 .....	PIVOT, LOAD
12.....	T181P .....	23620 .....	PIVOT, NOSE
3.....	T184P .....	23615 .....	PIVOT, FULCRUM
8.....	T202P .....	23607 .....	PIVOT, LOAD & FULCRUM
4.....	T208 .....	23603 .....	SADDLE BLOCK OR LINK SUPPORT W/BEARING, T129 INSERT
8.....	T530 .....	23275 .....	LINK
4.....	T548 .....	23282 .....	LINK
4.....	T529 .....	23622 .....	SUPPORT
2.....	T547 .....	23627 .....	SUPPORT

**\$3,590.00** Sugg. List / 96 lb Ship Wt.

\* T155 OLD STYLE BLOCK WITH BEARING WILL BE SUPPLIED, UNLESS \*\*T129 NEW STYLE BEARING INSERT IS SPECIFIED. BEARING INSERT FROM THE OLD STYLE BLOCK CAN BE REMOVED FOR USE IN NEW STYLE SCALES.

## Kit No. T-76-K

Pivots & Bearings, 2-Section, STEEL LEVER SYSTEMS, Models 2692 & 4321, Main Lever #47260

QTY	RL PART #	EQUIV. TOLEDO #	DESCRIPTION
2.....	T113 .....	17231 .....	BEARING, NOSE IRON, TRANSVERSE LEVER
4.....	T130 .....	39285 .....	BEARING, FULCRUM, MAIN LEVER
6.....	T133P .....	21620 .....	FULCRUM, 4 END EXTENSION & 2 TRANSVERSE LEVER
4.....	T134P .....	46889 .....	PIVOT, FULCRUM, MAIN LEVER
6.....	T162 .....	22461 .....	BEARING, FULCRUM, 4 END EXTENSION, 2 TRANSVERSE LEVER
4.....	T165P .....	39154 .....	PIVOT, LOAD, END EXTENSION LEVER
8.....	T166P .....	23829 .....	PIVOT, NOSE IRON, MAIN LEVER
1.....	T168P .....	22535 .....	PIVOT, NOSE IRON, TRANSVERSE LEVER
4.....	T181P .....	23620 .....	PIVOT, NOSE IRON, END EXTENSION LEVER
1.....	T190P .....	23976 .....	PIVOT, LOAD, TRANSVERSE LEVER
4.....	T208 .....	23603 .....	SADDLE BLOCK OR LINK SUPPORT W/BEARING, T129 INSERT
			BEARING, MAIN LEVER LOAD
4.....	T232P .....	47238 .....	PIVOT, LOAD, MAIN LEVER
8.....	T530 .....	23275 .....	LINK
4.....	T548 .....	23282 .....	LINK
4.....	T529 .....	23622 .....	SUPPORT
2.....	T547 .....	23627 .....	SUPPORT

**\$3,000.00** Sugg. List / 73 lb Ship Wt.

## Kit No. T-70-K

Suspension Kit For T-72-K & T-76-K

QTY	RL PART #	EQUIV. TOLEDO #	DESCRIPTION
4.....	T208 .....	23603 .....	SADDLE BLOCK OR LINK SUPPORT W/BEARING, T129 INSERT
4.....	T211 .....	23608 .....	TRUNNION BLOCK, BAR
8.....	T213L .....	23609 .....	LINK

**\$2,200.00** Sugg. List / 81 lb Ship Wt.

# 30-Ton Motor Truck & Axle Load Scales

TOLEDO

## Kit No. T-73-K

Pivots & Bearings, 2-Section, CAST LEVER SYSTEM With Main Lever #23652, Models 2791 & 4330

QTY	RL PART #	EQUIV. TOLEDO #	DESCRIPTION
2.....	T113 .....	17231 .....	BEARING, NOSE IRON
4*.....	T154 .....	23669 .....	OLD STYLE FULCRUM BLOCK W/BEARING, T130 INSERT
OR**.....	T130 .....	39285 .....	NEW STYLE BEARING, INSERT ONLY
2*.....	T155 .....	23610 .....	OLD STYLE FULCRUM BLOCK W/BEARING, T129 INSERT
OR**.....	T129 .....	47027 .....	NEW STYLE BEARING, INSERT ONLY
1*.....	T156 .....	23616 .....	OLD STYLE STAND BLOCK W/BEARING, T128 INSERT
OR**.....	T128 .....	47030 .....	NEW STYLE BEARING, INSERT ONLY
8.....	T166P .....	23829 .....	PIVOT, NOSE IRON
1.....	T168P .....	22535 .....	PIVOT, NOSE IRON, TRANSVERSE LEVER
1.....	T179P .....	23631 .....	PIVOT, LOAD
4.....	T181P .....	23620 .....	PIVOT, NOSE IRON
8.....	T182P .....	23666 .....	PIVOT, LOAD & FULCRUM
1.....	T184P .....	23615 .....	PIVOT, FULCRUM
2.....	T194P .....	23674 .....	PIVOT, LOAD
2.....	T202P .....	23607 .....	PIVOT, FULCRUM
4.....	T209 .....	23662 .....	SADDLE BLOCK OR LINK SUPPORT W/BEARING, T130 INSERT
8.....	T531 .....	23443 .....	LINK
4.....	T529 .....	23622 .....	SUPPORT
4.....	T548 .....	23282 .....	LINK
2.....	T547 .....	23627 .....	SUPPORT

**\$3,830.00** Sugg. List / 127 lb Ship Wt.

\* T154, T155, T156 OLD STYLE BLOCKS WITH BEARING WILL BE SENT.

\*\*T130, T129, & T128 NEW STYLE BEARING INSERTS ON REQUEST ONLY. THE BEARING INSERTS FROM OLD STYLE BLOCKS CAN BE REMOVED FOR USE IN NEW STYLE SCALES.

## Kit No. T-77-K

New Style Main Lever KC234517

Pivots & Bearings, 2-Section, STEEL LEVER SYSTEM, Models 2792, 4331 & 4332, Main Lever #47258

QTY	RL PART #	EQUIV. TOLEDO #	DESCRIPTION
2.....	T113 .....	17231 .....	BEARING, NOSE IRON, TRANSVERSE LEVER
4.....	T130 .....	39285 .....	BEARING, FULCRUM, MAIN LEVER
6.....	T133P .....	21620 .....	PIVOT, FULCRUM, 4 ON END EXTENSION, 2 TRANSVERSE
8.....	T134P .....	46889 .....	PIVOT, 4 FULCRUM & 4 LOAD, MAIN LEVER
6.....	T162 .....	22461 .....	BEARING, FULCRUM, 4 END EXTENSION , 2 TRANSVERSE
4.....	T165P .....	39154 .....	PIVOT, LOAD, END EXTENSION LEVER
8.....	T166P .....	23829 .....	PIVOT, NOSE IRON, MAIN LEVER
1.....	T168P .....	22535 .....	PIVOT, NOSE IRON, TRANSVERSE LEVER
4.....	T181P .....	23620 .....	PIVOT, NOSE IRON, END EXTENSION LEVER
1.....	T190P .....	23976 .....	PIVOT, LOAD, TRANSVERSE LEVER
4.....	T209 .....	23662 .....	SADDLE BLOCK OR LINK SUPPORT W/BEARING, T130 INSERT
8.....	T530 .....	23275 .....	LINK
4.....	T529 .....	23622 .....	SUPPORT
4.....	T548 .....	23282 .....	LINK
2.....	T547 .....	23627 .....	SUPPORT

**\$2,975.00** Sugg. List / 87 lb Ship Wt.

## Kit No. T-71-K

Suspension Kit For T-73-K & T-77-K

QTY	RL PART #	EQUIV. TOLEDO #	DESCRIPTION
4.....	T209 .....	23662 .....	SADDLE BLOCK OR LINK SUPPORT W/BEARING, T130 INSERT
8.....	T210L .....	23667 .....	LINK
4.....	T212 .....	23668 .....	TRUNNION BLOCK, BAR

**\$2,300.00** Sugg. List / 120 lb Ship Wt.



# 50- & 60-Ton Motor Truck Scales

TOLEDO

## Kit No. T-58-K

Pivots & Bearings, 4-Section, CAST LEVER SYSTEM Main Lever #23652, 38388, Models 2780, 2790, 4350, 4360

QTY	RL PART #	EQUIV. TOLEDO #	DESCRIPTION
4.....	T104 .....	17213 .....	BEARING, FULCRUM STAND
4.....	T106 .....	19652 .....	BEARING, END EXTENSION LEVER, STAND & CONNECTION
2.....	T113 .....	17231 .....	BEARING, TRANSVERSE LEVER STAND & CONNECTION
2*.....	T129 .....	47027 .....	NEW STYLE, BEARING, END EXTENSION LEVER FULCRUM
OR** ..	T155 .....	23610 .....	BEARING BLOCK W/BEARING, T129 INSERT
8*.....	T130 .....	39285 .....	NEW STYLE, BEARING, MAIN LEVER FULCRUM STAND
OR** ..	T154 .....	23669 .....	BEARING BLOCK W/BEARING, T130 INSERT
2.....	T146P .....	23941 .....	PIVOT, CENTER EXTENSION LEVER NOSE
4.....	T161P .....	22501 .....	PIVOT, 2 NOSE END EXT. LEVER & 2 CENTER EXT. LEVER
6.....	T162 .....	22461 .....	BEARING, TRANSVERSE LEVER, 4 ON CONNECTION 2 ON LOAD
16.....	T166P .....	23829 .....	PIVOT, MAIN LEVER NOSE
2.....	T167P .....	22507 .....	PIVOT, TRANSVERSE LEVER, LOAD & FULCRUM
1.....	T168P .....	22535 .....	PIVOT, TRANSVERSE LEVER NOSE
2.....	T170P .....	22503 .....	PIVOT, CENTER EXTENSION LEVER FULCRUM
16.....	T182P .....	23666 .....	PIVOT, MAIN LEVER, LOAD & FULCRUM
4.....	T194P .....	23674 .....	2 LOAD, END EXTENSION LEVER & 2 CENTER EXTENSION LEVER
2.....	T202P .....	23607 .....	PIVOT, END EXTENSION LEVER, FULCRUM
8.....	T209 .....	23662 .....	SADDLE BLOCK OR LINK SUPPORT W/BEARING T130
16.....	T531 .....	23443 .....	LINK, MAIN LEVER TIP
8.....	T529 .....	23622 .....	SUPPORT, MAIN LEVER TIP

**\$6,060.00** Sugg. List / 205 lb Ship Wt.

\* T129 & T130 NEW STYLE BEARING INSERT WILL BE SUPPLIED, UNLESS \*\*T155 & T154 OLD STYLE BEARING BLOCK WITH INSERTS T129 & T130 IS SPECIFIED.

## Kit No. T-65-K

Suspension Kit For T-58-K

QTY	RL PART #	EQUIV. TOLEDO #	DESCRIPTION
8.....	T209 .....	23662 .....	SADDLE BLOCK OR LINK SUPPORT WITH BEARING T130
16.....	T210L .....	23667 .....	LINK
8.....	T212 .....	23668 .....	TRUNNION BLOCK, BAR

**\$4,600.00** Sugg. List / 239 lb Ship Wt.

# 50- & 60-Ton Motor Truck Scales

TOLEDO

## Kit No. T-59-K

Pivots & Bearings, 5-Section, CAST LEVER SYSTEM Main Lever #23652, 38388, Models 2780, 2890, 4350, 4360

QTY	RL PART #	EQUIV. TOLEDO #	DESCRIPTION
6.....	T104 .....	17213 .....	BEARING, FULCRUM STAND, 2 ON SECONDARY CENTER EXTENSION LEVER & 4 ON CENTER EXTENSION LEVER
4.....	T106 .....	19652 .....	BEARING, NOSE, EXTENSION LEVER
2.....	T113 .....	17231 .....	BEARING, NOSE CONN, TRANSVERSE LEVER,
2*.....	T129 .....	47027 .....	NEW STYLE BEARING, END EXTENSION LEVER, FULCRUM
OR** .....	T155 .....	23610 .....	BEARING BLOCK W/BEARING, T129 INSERT
10* .....	T130 .....	39285 .....	NEW STYLE BEARING, MAIN LEVER FULCRUM STAND
OR** .....	T154 .....	23669 .....	BEARING BLOCK W/BEARING, T130 INSERT
3.....	T146P .....	23941 .....	PIVOT, NOSE, 1 ON SECONDARY CENTER EXTENSION LEVER 2 ON CENTER EXTENSION LEVER
4.....	T161P .....	22501 .....	PIVOT, NOSE, 2 ON END EXTENSION LEVER & 2 ON CENTER EXTENSION LEVER
6.....	T162 .....	22461 .....	BEARING, TRANSVERSE LEVER, 4 CONN, 2 LOAD
20.....	T166P .....	23829 .....	PIVOT, NOSE, MAIN LEVER
2.....	T167P .....	22507 .....	PIVOT, LOAD & FULCRUM, TRANSVERSE LEVER
1.....	T168P .....	22535 .....	PIVOT, NOSE, TRANSVERSE LEVER
1.....	T169P .....	23013 OLD # 22544 .....	PIVOT, NOSE, SECONDARY, CENTER LEVER
3.....	T170P .....	22503 .....	PIVOT, FULCRUM, 2 ON CENTER EXTENSION LEVER & 1 ON SECONDARY CENTER EXTENSION LEVER
20.....	T182P .....	23666 .....	PIVOT, FULCRUM & MAIN LEVER LOAD
5.....	T194P .....	23674 .....	PIVOT, LOAD, 2 ON END EXTENSION LEVER, 2 ON CENTER EXTENSION LEVER, 1 ON SECONDARY CENTER EXTENSION LEVER
2.....	T202P .....	23607 .....	PIVOT, FULCRUM, END EXTENSION LEVER
10.....	T209 .....	23662 .....	SADDLE BLOCK OR LINK SUPPORT W/BEARING, T130 INSERT
20.....	T531 .....	23443 .....	LINK, MAIN LEVER TIP
10.....	T529 .....	23622 .....	SUPPORT
4.....	T106 .....	19652 .....	BEARING, LOAD & POWER
2.....	T162 .....	22461 .....	BEARING, FULCRUM
1.....	T167P .....	22507 .....	PIVOT, FULCRUM
2.....	T169P .....	23013 OLD # 22544 .....	PIVOT, LOAD & POWER

**\$7,530.00** Sugg. List / 262 lb Ship Wt.

\* T129 & T130 NEW STYLE BEARING INSERTS WILL BE SUPPLIED, UNLESS \*\* T154 & T155 OLD STYLE BEARING BLOCKS WITH BEARING INSERTS T129 & T130 ARE SPECIFIED.

## Kit No. T-66-K

Suspension Kit For T-59-K

QTY	RL PART #	EQUIV. TOLEDO #	DESCRIPTION
10.....	T209 .....	23662 .....	SADDLE BLOCK OR LINK SUPPORT W/BEARING, T130 INSERT
20.....	T210L .....	23667 .....	LINK
10.....	T212 .....	23668 .....	TRUNNION BLOCK, BAR

**\$5,750.00** Sugg. List / 298 lb Ship Wt.

# 50-, 60- & 75\*-Ton Motor Truck Scales

TOLEDO

## Kit No. T-56-K

Pivots & Bearings, 4-Section, STEEL LEVER SYSTEM, Models 2781, 2784, 2891, 2875\*, 4350, 4353, 4360, 4352

Main Lever #KC234517

Main Lever #47258, 60 & 75 Ton

Main Lever #47259, 50 Ton

QTY	RL PART #	EQUIV. TOLEDO #	DESCRIPTION
4.....	T106 .....	19652 .....	BEARING
2.....	T113 .....	17231 .....	BEARING
8.....	T130 .....	39285 .....	BEARING
8.....	T133P .....	21620 .....	PIVOT, FULCRUM
16.....	T134P .....	46899 .....	PIVOT
2.....	T146P .....	23941 .....	PIVOT, NOSE
4.....	T161P .....	22501 .....	PIVOT, NOSE
14.....	T162 .....	22461 .....	BEARING
8.....	T165P .....	39154 .....	PIVOT, LOAD
16.....	T166P .....	23829 .....	PIVOT
2.....	T167P .....	22507 .....	PIVOT
1.....	T168P .....	22535 .....	PIVOT
16.....	T531 .....	23443 .....	LINK, MAIN LEVER TIP
8.....	T529 .....	23622 .....	SUPPORT, MAIN LEVER TIP
8.....	T209 .....	23662 .....	SADDLE BLOCK OR LINK SUPPORT W/BEARING, T130

**\$4,570.00** Sugg. List / 170 lb Ship Wt.

\*Add For Model 2875, 75-Ton:

QTY	RL PART #	EQUIV. TOLEDO #	DESCRIPTION
4.....	T106 .....	19652 .....	BEARING
2.....	T162 .....	22461 .....	BEARING

## Kit No. T-65-K

Suspension Kit For T-56-K

QTY	RL PART #	EQUIV. TOLEDO #	DESCRIPTION
8.....	T209 .....	23662 .....	SADDLE BLOCK OR LINK SUPPORT W/BEARING T130
16.....	T210L .....	23667 .....	LINK
8.....	T212 .....	23668 .....	TRUNNION BLOCK, BAR

**\$4,600.00** Sugg. List / 239 Ship Wt.

# 50-, 60- & 75-Ton Motor Truck Scales

**TOLEDO**

## Kit No. T-57-K

Pivots & Bearings, 5-Section, STEEL LEVER SYSTEM, Models 2781, 2891, 2875, 4350, 4360

Main Lever #KC234517

Main Lever #47258, 60 & 75 Ton

Main Lever #47259, 50 Ton

QTY	RL PART #	EQUIV. TOLEDO #	DESCRIPTION
9.....	T106 .....	19652 .....	BEARING
2.....	T113 .....	17231 .....	BEARING
10.....	T130 .....	39285 .....	BEARING
10.....	T133P .....	21620 .....	PIVOT, FULCRUM
20.....	T134P .....	46899 .....	PIVOT
4.....	T146P .....	23941 .....	PIVOT, NOSE
4.....	T161P .....	22501 .....	PIVOT, NOSE
18.....	T162 .....	22461 .....	BEARING
10.....	T165P .....	39154 .....	PIVOT, LOAD
20.....	T166P .....	23829 .....	PIVOT
3.....	T167P .....	22507 .....	PIVOT
1.....	T168P .....	22535 .....	PIVOT
10.....	T209 .....	23662 .....	SADDLE BLOCK OR LINK SUPPORT W/BEARING T130
2.....	T139 .....	23944 .....	BEARING
2.....	T169P .....	22544 .....	PIVOT
20.....	T531 .....	23443 .....	LINK, MAIN LEVER TIP
10.....	T529 .....	23622 .....	SUPPORT, MAIN LEVER TIP

**\$6,050.00** Sugg. List / 215 Ship Wt.

## Kit No. T-66-K

Suspension Kit For T-57-K

QTY	RL PART #	EQUIV. TOLEDO #	DESCRIPTION
10.....	T209 .....	23662 .....	SADDLE BLOCK OR LINK SUPPORT W/BEARING T130
20.....	T210L .....	23667 .....	LINK
10.....	T212 .....	23668 .....	TRUNNION BLOCK, BAR

**\$5,750.00** Sugg. List / 298 lb Ship Wt.

# TOLEDO PORTABLE VEHICLE SCALES (BUILT BY POWELL)

## Kit No. P-1003K

Pivots & Bearings, 2-Section, Portable Scales: 10', 20' and 25', 32.5 Ton Sectional

QTY	RL PART #	DESCRIPTION
10.....	P716P.....	MAIN PIVOT
8.....	H624.....	MAIN BEARING
2.....	H655P.....	BACKBONE PIVOT
2.....	H691.....	BACKBONE BEARING
3.....	10797.....	NOSE IRON PIVOT
3.....	P701.....	PARALLEL STRAP W/BEARING
2.....	P702.....	HORIZONTAL STRAP W/BEARING
10.....	15280.....	ALIGNMENT PIN FOR (BEARING)

**\$1,291.00** Sugg. List / 50 lb Ship Wt.

## Kit No. 89051

Pivots & Bearings, 2-Section, Portable Scales: 30' AND 35', 32.5 Ton Sectional

QTY	RL PART #	DESCRIPTION
12.....	P716P.....	MAIN PIVOT
10.....	H624.....	MAIN BEARING
0.....	H655P.....	BACKBONE PIVOT
0.....	H691.....	BACKBONE BEARING
3.....	10797.....	NOSE IRON PIVOT
3.....	P701.....	PARALLEL STRAP W/BEARING
2.....	P702.....	HORIZONTAL STRAP W/BEARING
10.....	15280.....	ALIGNMENT PIN FOR (BEARING)

**\$1,321.00** Sugg. List / 55 lb Ship Wt.

## Kit No. P-1004K

2-Section Suspension Kit for P&B Kits P-1003K & 89051, 32.5 Ton Sectional

QTY	RL PART #	DESCRIPTION
8.....	69784.....	LINK
4.....	71043.....	UPPER BLOCK W/O BEARING
4.....	P707.....	UPPER BEARING PIN
4.....	P705.....	LOWER TRUNNION PIN
4.....	15288.....	ROLL PIN

**\$2,035.00** Sugg. List / 130 lb Ship Wt.

# TOLEDO PORTABLE VEHICLE SCALES (BUILT BY POWELL)

**TOLEDO**

## Kit No. 71020

Pivots & Bearings, 3-Section, Portable Scales: 35' and 40', 32.5 Ton Sectional

QTY	RL PART #	DESCRIPTION
16.....	P716P.....	MAIN PIVOT
13.....	H624.....	MAIN BEARING
2.....	H655P.....	BACKBONE PIVOT
2.....	H691.....	BACKBONE BEARING
4.....	10797.....	NOSE IRON PIVOT
4.....	P701.....	PARALLEL STRAP W/BEARING
3.....	P702.....	HORIZONTAL STRAP W/BEARING
15.....	15280.....	ALIGNMENT PIN FOR (BEARING)

**\$1,906.00** Sugg. List / 75 lb Ship Wt.

## Kit No. 71063

3-Section Suspension Kit for P&B Kits 71020, 32.5 Ton Sectional

QTY	RL PART #	DESCRIPTION
12.....	69784.....	LINK
6.....	71043.....	UPPER BLOCK W/O BEARING
6.....	P707.....	UPPER BEARING PIN
6.....	P705.....	LOWER TRUNNION PIN
6.....	15288.....	ROLL PIN

**\$3,053.00** Sugg. List / 195 lb Ship Wt.

# TOLEDO PORTABLE VEHICLE SCALES (BUILT BY POWELL)

## Kit No. 107661

Pivots & Bearings, 4-Section, Portable Scales: 50', 32.5 Ton Sectional

QTY	RL PART #	DESCRIPTION
20.....	P716P.....	MAIN PIVOT
16.....	H624.....	MAIN BEARING
4.....	H655P.....	BACKBONE PIVOT
4.....	H691.....	BACKBONE BEARING
5.....	10797.....	NOSE IRON PIVOT
5.....	P701.....	PARALLEL STRAP W/BEARING
4.....	P702.....	HORIZONTAL STRAP W/BEARING
20.....	15280.....	ALIGNMENT PIN FOR (BEARING)

**\$2,331.00** Sugg. List / 96 lb Ship Wt.

## Kit No. P-1001K

Pivots & Bearings, 4-Section, Portable Scales: 60' AND 70', 32.5 Ton Sectional

QTY	RL PART #	DESCRIPTION
24.....	P716P.....	MAIN PIVOT
20.....	H624.....	MAIN BEARING
0.....	H655P.....	BACKBONE PIVOT
0.....	H691.....	BACKBONE BEARING
5.....	10797.....	NOSE IRON PIVOT
5.....	P701.....	PARALLEL STRAP W/BEARING
4.....	P702.....	HORIZONTAL STRAP W/BEARING
20.....	15280.....	ALIGNMENT PIN FOR (BEARING)

**\$2,811.00** Sugg. List / 100 lb Ship Wt.

## Kit No. P-1002K

4-Section Suspension Kit for P&B Kits 107661 & P-1101K, 32.5 Ton Sectional

QTY	RL PART #	DESCRIPTION
16.....	69784.....	LINK
8.....	71043.....	UPPER BLOCK W/O BEARING
8.....	P707.....	UPPER BEARING PIN
8.....	P705.....	LOWER TRUNNION PIN
8.....	15288.....	ROLL PIN

**\$4,070.00** Sugg. List / 255 lb Ship Wt.

# TOLEDO PORTABLE VEHICLE SCALES (BUILT BY POWELL)

**TOLEDO**

## Kit No. 107664

Pivots & Bearings, 5-Section, Portable Scales: 70', 32.5 Ton Sectional

QTY	RL PART #	DESCRIPTION
28.....	P716P.....	MAIN PIVOT
23.....	H624.....	MAIN BEARING
2.....	H655P.....	BACKBONE PIVOT
2.....	H691.....	BACKBONE BEARING
6.....	10797.....	NOSE IRON PIVOT
6.....	P701.....	PARALLEL STRAP W/BEARING
5.....	P702.....	HORIZONTAL STRAP W/BEARING
25.....	15280.....	ALIGNMENT PIN FOR (BEARING)

**\$3,131.00** Sugg. List / 125 lb Ship Wt.

## Kit No. 107663

5-Section Suspension Kit for P&B Kits 107664, 32.5 Ton Sectional

QTY	RL PART #	DESCRIPTION
20.....	69784.....	LINK
10.....	71043.....	UPPER BLOCK W/O BEARING
10.....	P707.....	UPPER BEARING PIN
10.....	P705.....	LOWER TRUNNION PIN
10.....	15288.....	ROLL PIN

**\$5,088.00** Sugg. List / 320 lb Ship Wt.



# TOLEDO PORTABLE VEHICLE SCALES (BUILT BY POWELL)

## Kit No. 71021

Pivots & Bearings, 6-Section, Portable Scales: 70' and 80', 32.5 Ton Sectional

QTY	RL PART #	DESCRIPTION
32.....	P716P.....	MAIN PIVOT
26.....	H624.....	MAIN BEARING
4.....	H655P.....	BACKBONE PIVOT
4.....	H691.....	BACKBONE BEARING
7.....	10797.....	NOSE IRON PIVOT
7.....	P701.....	PARALLEL STRAP W/BEARING
6.....	P702.....	HORIZONTAL STRAP W/BEARING
30.....	15280.....	ALIGNMENT PIN FOR (BEARING)

**\$3,721.00** Sugg. List / 145 lb Ship Wt.

## Kit No. 71062

6-Section Suspension Kit for P&B Kits 71021, 32.5 Ton Sectional

QTY	RL PART #	DESCRIPTION
24.....	69784.....	LINK
12.....	71043.....	UPPER BLOCK W/O BEARING
12.....	P707.....	UPPER BEARING PIN
12.....	P705.....	LOWER TRUNNION PIN
12.....	15288.....	ROLL PIN

**\$6,106.00** Sugg. List / 385 lb Ship Wt.

# FAIRBANKS

FAIRBANKS





# Fairbanks Price Index

By Rice Lake Part Number

**FAIRBANKS**

<b>RL PART #</b>	<b>SUGG. LIST</b>	<b>PAGE #</b>	<b>RL PART #</b>	<b>SUGG. LIST</b>	<b>PAGE #</b>	<b>RL PART #</b>	<b>SUGG. LIST</b>	<b>PAGE #</b>
F1615RRP.....	\$100.00	116	F1651RR.....	\$129.00	118	F1692RR.....	\$984.00	119
F1618RRP.....	\$116.00	116	F1652RR.....	\$195.00	118	F1693RR.....	\$242.00	120
F1619RRP.....	\$187.00	116	F1653RR.....	\$89.00	118	F1696RR.....	\$177.00	120
F1620RRP.....	\$233.00	116	F1654RRP.....	\$72.00	118	F1697RR.....	\$179.00	120
F1621RRP.....	\$290.00	116	F1655RRP.....	\$73.00	118	F1698RR.....	\$655.00	120
F1622RRP.....	\$103.00	116	F1656RRP.....	\$73.00	118	F1699RR.....	\$710.00	120
F1623RRP.....	\$231.00	116	F1657RR.....	\$225.00	118	F1700RR.....	\$490.00	120
F1624RR.....	\$278.00	116	*F1662RR.....	\$49.00	118	F1701RRP.....	\$210.00	120
F1625RRP.....	\$105.00	116	F1663RR.....	\$203.00	118	F1702RR.....	\$294.00	120
F1626RRP.....	\$358.00	116	F1664RR.....	\$195.00	118	F1703RR.....	\$494.00	120
F1627RRP.....	\$258.00	116	F1665RR.....	\$806.00	118	F1704RR.....	\$778.00	120
F1628RRP.....	\$357.00	116	F1666RR.....	\$480.00	118	F1705RR.....	\$554.00	120
F1629RRP.....	\$360.00	116	F1667RR.....	\$410.00	118	F1706RR.....	\$2,212.00	120
F1630RRP.....	\$240.00	117	F1668RRP.....	\$83.00	118	*F1707RR.....	\$2,212.00	120
F1631RR.....	\$206.00	117	F1669RRP.....	\$73.00	118	*F1708RR.....	\$140.00	120
*F1632RR.....	\$214.00	117	F1670RR.....	\$93.00	118	F1709RR.....	\$771.00	120
F1633RR.....	\$196.00	117	F1671RR.....	\$88.00	118	F1710RR.....	\$91.00	120
F1634RR.....	\$162.00	117	*F1672RRP.....	\$111.00	119	F1711RR.....	\$167.00	97,120
F1635RRP.....	\$345.00	117	*F1673RRP.....	\$299.00	119	F1712RR.....	\$724.00	120
F1636RRP.....	\$345.00	117	*F1675RR.....	\$109.00	119	110632.....	\$128.00	113
F1637RRP.....	\$280.00	117	F1678RR.....	\$616.00	119	131389.....	\$181.00	104
F1638RRP.....	\$260.00	117	F1679RR.....	\$1,037.00	119			
F1639RRP.....	\$185.00	117	F1680RR.....	\$1,027.00	119			
F1640RRP.....	\$97.00	117	F1681RR.....	\$237.00	119			
F1641RR.....	\$293.00	117	F1682RR.....	\$84.00	119			
F1642RR.....	\$313.00	117	F1683RRL.....	\$669.00	119			
F1643RR.....	\$345.00	117	F1684RR.....	\$1,079.00	119			
F1644RR.....	\$360.00	117	F1685RR.....	\$1,042.00	119			
*F1645RR.....	\$175.00	117	F1686RR.....	\$222.00	119			
*F1646RR.....	\$110.00	117	F1687RRP.....	\$185.00	119			
F1647RR.....	\$113.00	117	F1688RRP.....	\$240.00	119			
F1648RR.....	\$163.00	117	F1689RR.....	\$280.00	119			
*F1649RR.....	\$51.00	117	F1690RR.....	\$110.00	119			
F1650RRP.....	\$84.00	117	F1691RR.....	\$1,880.00	119			

\*Item obsolete or discontinued. When remaining stock is depleted, published prices are withdrawn and the item is subject to a special order quote.

XX Call for Details

# Fairbanks Cross Reference

By Equivalent Fairbanks Number

EQUIV. FRBNKS #	FRBNKS NEW #	RL PART #	PAGE #
S2LF138-C		F1564RR	114
S6N46-C	94070	F1601RR	115
S6N46-F		F1602RR	115
SM9-E		F1685RR	119
SQ9-A		F1680RR	119
WB10-MI		F544	93
SP12.3		15277	79
SP13		F481	79
WD18A		F586P	92
FG18B	54036	F533P	132
WA18C		F540P	92
PQ19AC		F490	77
WA19		F541P	92
SD19A	60399	F736	103
SD19E	60399	F736	103
SGC19	60398	F748	103
YSD19PV	62026	70795	103
PB20G		10185	75,77
PB20G		10188	75,83
WA20A		F542P	92
W3A20		F548P	92
PA21	94032	10158	74
PAZ21		10270	75
PBC21	94034	10168	75
WA21A		F582	93
WG21A		F585	93
WG22A	94036	F583	93
WA22A	94037	F584	93
WA23		F549	92
PQ24C		F502	77
PQ25B	94044	F486	77
PA26		F485	77
DG26M		F467P	XX
DG26W	94770	F444P	XX
WJ31		F759P	94
DG31H	94050	F443P	XX
PB31D	17862	F452P	77,79
WDA31		F545P	92
PA32	94052	10156	74,77,83
PBC32	94053	10152	74
PQ33C	17836	F479P	77
PQ33D		F480P	77
DG40	94063	F553P	XX
PB42A		F488P	77,79
WA44B	54046	F529	92
SC46		F1643RR	117
SX46		F1603RR	115
SM46-AA	94078	F1604RR	115
SX46-B		94837	118
TU46-C		F1605RR	115
TU46-D		F1606RR	115
SP46-F	94071	F1582RR	115
SP46-H	94072	F1565RR	114
SP46-J	94073	F1583RR	115
ST46-M	94074	F1607RR	116
ST46-N	94075	F1608RR	116
SQ46-P		F1563RR	114
SQ46-Q	94076	F1570RR	114
SM46-T	94077	F1566RR	114
SM46-Y		F1600RR	115
SM46-Z		F1609RR	116
PA48	94080	10154	74
PB50		F489P	77,79

EQUIV. FRBNKS #	FRBNKS NEW #	RL PART #	PAGE #
PB52	94085	10160	74,77,83
PBC52	94086	10170	74
WA61		F543	92
TU125-C		F1610RRP	116
RA135	60393	F475AL	XX
RB135	60394	F476BL	104
RC135	60395	F477CL	104
RD135	60396	F478DL	96,104
SC138		F1642RR	117
SX138		F1611RR	116
SQ138-A	94136	F1571RR	114
TU138-B	94137	F1612RR	116
SH139	54464	F419P	99
SC139		F1635RRP	117
SX139		F1613RRP	116
SD139A	54465	F410P	99
SH139A	94138	F413P	99
SM139-AN	94051	F1559RRP	114
TU139-B		F1614RRP	116
SW139-C		F1615RRP	116
SP139-G	94139	F1576RRP	115
SP139-H	94140	F1578RRP	115
SP139-J	94141	F1577RRP	115
SP139L	94140	F1578RRP	115
SQ139-M	94143	F1554RRP	114
SQ139-N	94144	F1561RRP	114
ST139-R	94145	F1618RRP	116
ST139-T	54467	F1619RRP	116
SQ139-U	94147	F1552RRP	114
SQ139-T	94146	F1553RRP	114
SM139-V		F1620RRP	116
SM139-W		F1621RRP	116
SM139-X	94148	F1622RRP	116
SM139-Y	94149	F1623RRP	116
SM139-Z	94150	F1574RRP	116
SM143		F1683RR	119
SQ143		F1678RR	119
DG148G	94158	F439P	XX
PQ149A	94159	F484	77
TX152	54520	F424	100
SM154-D		F1708RR	120
SM155		F1686RR	119
SQ155		F1681RR	119
SD183H	54583	F414	101
SD183J	54584	F404	101
SD183K	54585	F401	101
SE183F	54582	F402	101
SE183G	59778	F534	101,132
SG183A	54580	F403	101
SH183E	54581	F421	101
SQ186-M		F1707RR	120
SP186-R		F1691RR	119
SQ186-S		F1706RR	120
PQ190AN		F502	77
PQ190AU		F501	77
PQ190AC	94178	F483	77
PQ190BQ		F773	121
RA191	60368	F559	105
RB191	60369	F562	105
RC191	60370	F504	105
RC191A	60371	F508	105
RD191	60372	F514	105
SM191-C		F1684RR	119

XX Call for Details

# Fairbanks Cross Reference

By Equivalent Fairbanks Number

**FAIRBANKS**

EQUIV. FRBNKS #	FRBNKS NEW #	RL PART #	PAGE #
SP191-C		F1692RR	119
SQ191-E		F1679RR	119
SC194		F1644RR	117
SX194		F1624RR	116
SD194AMI	54603	F405	102
TU194-B	94136	F1571RR	114
SX210		F1655RRP	118
SX210-A		F1656RRP	118
SM210-E	55688	F1669RRP	118
SM210-F	94188	F1654RRP	118
SM210-H	94189	F1560RRP	114
IA222	61318	F762	90
SM234-D	94195	F1557RRP	114
SC238		F1640RRP	117
SX238		F1625RRP	116
SU244		F1690RR	119
SD244A	11414	F406	100
SC247		F1636RRP	117
SX247		F1626RRP	116
SM247-B		F1627RRP	116
SC248		F1637RRP	117
SX248		F1628RRP	116
SP248-A	94199	F1575RRP	115
SM249-B	94201	F1573RRP	115
SD253	54710	F407P	98
SD253A	54712	F530P	132
SD253J	94203	F440P	XX
SH253	54711	F411P	98
SC255		F1638RRP	117
SD255A	54717	F412P	98
SD255C	54721	F409P	98
SE255	54715	F532P	94,98,132
SE255A	54718	F531P	98,132
SG255	54716	F408P	98
SG255A	54719	F457P	98,132
SH255A	54720	F420P	98
SX255		F1629RRP	116
SC259		F1639RRP	117
SX259		F1630RRP	117
TU259-C	94204	F1555RRP	114
TU259-F	94205	F1556RRP	114
TU259-G		F1586RRP	115
TU259-H	94206	F1584RRP	115
TU259-J	94207	F1585RRP	115
SQ278-A		F1572RR	114
SM278-B		F1579RR	115
SM278-B		F1645RR	117
WJ280A		F554P	94,100
WJ281		F555P	94,100
WR281	54736	F458P	94,98
FG313	54789	F465P	87,98,132
FG313A		F465PSS	XX
WA328		F547	93
WG328		F792	93
WA329		F546	93
WG329		F793	93
SC353		F1641RR	117
WJ361A	54816	F308	87,89
WJ361A	54816	F756	89
WJ362B		F556	89,94
WJ379		F750P	94
WJ390		F572	94
WJ390A		F735	94

XX Call for Details

EQUIV. FRBNKS #	FRBNKS NEW #	RL PART #	PAGE #
LX392-B	94219	F1569RR	114
SM407-A		F1631RR	117
SP407-A		F1581RR	115
SC414		F1648RR	117
SM414-A	94222	F1568RR	114
SX414-B		F1632RR	117
SC415		F1647RR	117
SX415		F1633RR	117
SM415-B	94223	F1567RR	114
1A493		F481	79
1A494		F481	79
1A495	17835	F496	79
PA594	17879	F498	77,79
WR613		F571	94
PQ679		F501	77
SD682MI	60407	F507	103
SC771		F1652RR	118
SX771		F1657RR	118
1A779	17839	F488P	77,79
1A780	17840	F489P	77,79
CL817	54816	F308	85,87,89
PQ1002E		F501	77
1B1135	17888	10193	75,79
1382-2	55679	F752P	XX
1382A2	54736	F458P	94,98
1382A6	55864	F454P	99
1382A7	94138	F413P	99
1382-8		F1668RRP	118
1382-9	55749	F721L	96
1382-11	55688	F1669RRP	118
1382-15		F778P	99
1382-18		F1701RRP	120
1382-23		F1687RRP	119
1382-24		F1688RRP	119
1A1407	10302	F575	79
1A1408	17862	F452P	77,79
1A1409	17863	F487P	79
1418-4	60267	F471	103
1418-6		F1671RR	118
1418-8		F1670RR	118
1418-16		F1702RR	120
1418-25	55720	F1693RR	120
1418-26	55721	F1689RR	119
1463A1	54719	F457P	98,132
1463-2	54736	F458P	94,98
1463-2	54736	F416P	XX
1463-5		F466P	98
1A1469	17870	10162	74,79
1A1470	17871	10164	74,79
1A1471	17872	10166	74,79
1510	55749	F727L	96
1514	55748	F459	97
1517	55750	F725	96
1527	55753	F723	96
1528	55749	F721L	96
1542		F1666RR	118
1547		F1667RR	118
1548		F1703RR	120
1564		F1709RR	120
1612	55764	F461	97
1736	55772	F462	97
1817	55758	F724	100
1819	94418	F460	97
3189		F1699RR	120

# Fairbanks Cross Reference

By Equivalent Fairbanks Number

EQUIV. FRBNKS #	FRBNKS NEW #	RL PART #	PAGE #
1A1919	17878	F497	79
1A1920	17879	F498	77,79
1A1921	10335	F482	79
1A1922	10336	F492	79
1A1991	17881	F493	77,79,81,83
1A2078		F574P	79
2117		F464	97
2135		F1664RR	118
2136		F1663RR	118
1A2143	10359	F495	79
1A2150	17883	F494	79
2195		F463	97
1A2349	94473	10191	74
2496		F722	96
SQ3050		F1682RR	119
3188		F1700RR	120
3189		F1699RR	120
3190		F1698RR	120
1-3839-1		D951	79
4436		F1696RR	120
4438		F1697RR	120
5872		F1655RRP	118
A8234		10186	75
A8234		10187	75
A8234		10188	75
5A9356-10	61337	F742	83
5A9356-12	61338	F741	91
A10779	95257	F567	XX
5A12163-5	54016	F308	85,87,89
A12417-2	94895	F307	85,87,88
1-13122		F780SS	88,121
1-17371	17927	F597	79
21930		10274	75
21931		10272	75
1-27979-1	61317	F729P	90
1-29250-1	61331	F731	90
1-29255-1	61335	F740	91
1-29314-1	95065	F732	90
2-29377-1	61348	F739	91
1-29383-1	61316	F730P	90
1-29558-1		F729PSS	90
1-29559-1		F730PSS	90
1-29560-1		F732SS	90
1-29561-1		F731SS	90
1-32552-1	96318	F311	90,88
1-32552-2		F311SS	XX
1-32552-3		F738	90
1-34815-1	61332	F737	91
1-35398-1	11427	F763P	100
1-35408-1	11439	71821	100
1-37967-1		F764P	77,121
1-39548-1	11621	50764	112
1-40791-1	11898	50763	112
1-42156-1	95257	F567	XX
1-44115	54494	50826	112
2-44313-2		101852	113
48210		F442P	XX
54415X		F478DL	96,104
3-55125-1		105625	113
2-55441-BBI	95845	50930	83
2-55444-55		10156	83
2-55444-46		10158	74,77,83
2-55446-6	58937	41651	83
2-55446-10		41650	83

XX Call for Details

EQUIV. FRBNKS #	FRBNKS NEW #	RL PART #	PAGE #
2-55446-13		41642	83
2-55446-24	95861	41645	83
2-55446-30		50931	83
2-55446-31	95863	51981	83
2-55446-39	95839	105598	83
2-55446-69		41643	83
56936MI	58995	F415	102
60245		F441P	XX
60313D	96079	F451	XX
60911	96089	F523	XX
60913B	96090	F526	XX
60916	96091	F524	XX
60916A	96092	F587	XX
60919A	96093	F448	XX
60930D	96095	F450	XX
62239	96142	F779	XX
62246A	96144	F447	XX
62268C	96325	F588	XX
64823D	96149	F449	XX
70272D	96265	F438P	XX
70273	96266	F446	XX
70274	96267	F445	XX
70283B	96269	F437P	XX
70329	60540	F327	87,88,104
73905		F1634RR	117
73935		F1653RR	118
74057	59778	F534	101,132
74319	59784	F537	132
74321	59786	F535	132
74322	96300	F538	87,132
74335	96301	F539	102,132
76399B	96307	F568P	XX
76400B	96308	F566P	XX
76404		F569	XX
76405		F570	XX
76990	96310	F1562RR	114
77117	96311	F1587RR	115
77214	96312	F565P	XX
80253	60373	F564	105
80260	60384	F558	105
80261	60377	F560	104
80263	60385	F561	105
80264	60378	F563	104
80266	60386	F503	105
80267	60379	F505	104
80269	60387	F515	105
80270	60380	F513	104
80811	60389	F713	105
81650		F527	XX
82105	59824	F536	132
82107	60540	131389	104
82108	60381	F745	104
82498	59840	F423P	99
82499	59841	F422	100
82543	59846	F304P	85,89,99
82543A	96317	F309P	85,89,99
82548		F321	XX
82551	96318	F311	88,90
82551A	94893	F307	85,87,88
82551B		F310	85,87,88
82551C		F303	85,87,88
82873B		F1563RR	114
83364	59851	F751	100
83742	59911	F306	XX
83884	96321	F320	XX
83884B		F322	XX

FAIRBANKS



# Fairbanks Cross Reference

By Equivalent Fairbanks Number

**FAIRBANKS**

EQUIV. FRBNKS #	FRBNKS NEW #	RL PART #	PAGE #
84009.....	59930.....	F302.....	85,88
84011.....	59931.....	F312L.....	85,88
84013.....	59932.....	F301.....	85,88
84016.....	60537.....	F305.....	85,89
84026.....	59937.....	F319.....	XX
84117.....	59943.....	F305SS.....	XX
84118.....	59944.....	F304PSS.....	XX
84119.....	59945.....	F755SS.....	XX
84120.....	59946.....	F754SS.....	XX
84121.....	59947.....	F303SS.....	XX
84122.....	59948.....	F309PSS.....	XX
84125.....	59950.....	F753P.....	XX
84126.....	59951.....	F753PSS.....	87,88,104
84135.....	60540.....	F327.....	87,88,104
84136H.....	59953.....	F325L.....	87,88
84138.....	59954.....	F328.....	87,88
84154.....	96303.....	F326.....	87,89
84167.....	.....	F324.....	XX
84310.....	59982.....	F323P.....	85,87,89,99
84320.....	59983.....	F323PSS.....	XX
84586B.....	.....	F525.....	XX
84873H.....	94072.....	F1565RR.....	114
84874AG.....	94144.....	F1561RRP.....	114
84874AH.....	94195.....	F1557RRP.....	114
84874AK.....	94146.....	F1553RRP.....	114
84874B.....	94147.....	F1552RRP.....	114
84874H.....	94204.....	F1555RRP.....	114
84874P.....	94189.....	F1560RRP.....	114
84874S.....	94143.....	F1554RRP.....	114
84874Y.....	94205.....	F1556RRP.....	114
85111.....	96300.....	F538.....	87,132
85309.....	.....	F326SS.....	87
85412.....	60382.....	F746.....	XX
85411.....	60392.....	50319.....	102,105
85413.....	.....	F749.....	96
85414.....	60375.....	F747.....	96
86181.....	.....	F761.....	100
86691.....	60286.....	F474.....	100,103
86693.....	60399.....	F736.....	103
86694.....	60247.....	F472.....	103
86739.....	60398.....	F748.....	103
86754.....	60265.....	F473.....	103
86755.....	60266.....	F557.....	103
86756.....	60267.....	F471.....	103
86764.....	60400.....	10292.....	103
86797.....	60406.....	F506.....	103
86822.....	60407.....	F507.....	103
86823.....	60286.....	F474.....	100,103
86880.....	60408.....	F728.....	103
87215.....	60368.....	F559.....	105
87216.....	60369.....	F562.....	105
87217.....	60370.....	F504.....	105
87218.....	60371.....	F508.....	105
87219.....	60372.....	F514.....	105
87220.....	60373.....	F564.....	105
87221.....	60374.....	131389.....	104
87222.....	60375.....	F747.....	96
87223.....	.....	F749.....	96
87225.....	60377.....	F560.....	104
87226.....	60378.....	F563.....	104
87227.....	60379.....	F505.....	104
87228.....	60380.....	F513.....	104
87229.....	60381.....	F745.....	104
87230.....	60382.....	F746.....	102

XX Call for Details

EQUIV. FRBNKS #	FRBNKS NEW #	RL PART #	PAGE #
87233.....	60384.....	F558.....	105
87234.....	60385.....	F561.....	105
87235.....	60386.....	F503.....	105
87236.....	60387.....	F515.....	105
87237.....	60389.....	F713.....	105
87239.....	60392.....	50319.....	95,105
87240.....	60393.....	F475AL.....	104
87241.....	90394.....	F476BL.....	104
87242.....	60395.....	F477CL.....	104
87243.....	60396.....	F478DL.....	95,104
87244.....	59953.....	F325L.....	87,88
87245.....	60398.....	F748.....	103
87246.....	60399.....	F736.....	103
87255.....	60406.....	F506.....	103
87256.....	60407.....	F507.....	103
87257.....	60408.....	F728.....	103
87390.....	.....	F789.....	97
87391.....	60527.....	F712P.....	99
87460.....	60537.....	F305.....	85,89
87461.....	59931.....	F312L.....	85,88
87465.....	60374.....	F327.....	87,88,104
87466.....	59953.....	F325L.....	87,88
87931.....	60371.....	F508.....	105
88970.....	.....	F780SS.....	88
89603.....	61316.....	F730P.....	90
89604.....	61317.....	F729P.....	90
89605.....	61318.....	F762.....	90
89620.....	61331.....	F731.....	90
89622.....	.....	F311.....	88,90
89623.....	.....	F738.....	90
89624.....	61335.....	F740.....	91
89625.....	61337.....	F742.....	91
89626.....	61338.....	F741.....	91
89651.....	61348.....	F739.....	91
90190.....	61482.....	F591.....	113
90191.....	61483.....	F590.....	113
90219.....	96397.....	10855.....	111
90230.....	61525.....	10845.....	111
90240.....	61532.....	10786.....	107
90280.....	.....	10961.....	107
90282.....	.....	10962.....	107
90284.....	.....	10960.....	107
90290.....	.....	67298.....	XX
90291.....	.....	67298.....	XX
90329.....	.....	22267.....	107
90341.....	54807.....	10699.....	95
90357.....	.....	10900.....	95
90671.....	61657.....	44836.....	111
90814-60.....	61704.....	47850.....	109
90841.....	61713.....	44837.....	109
90860.....	61727.....	50767.....	109
90863.....	61729.....	50807.....	109
90868.....	61733.....	25524.....	109
90900.....	61770.....	50747.....	109
90966.....	61833.....	50748.....	109
91152.....	62026.....	70795.....	109
91088-60.....	96435.....	67387.....	109
40-008-600.....	.....	10963.....	95
40-011-600.....	54105.....	10763.....	95
40-032-600.....	54149.....	F776.....	95
40-334-600.....	54807.....	10699.....	95
45-006-600.....	54071.....	49993.....	102
45-012-600.....	54106.....	F782L.....	95
45-013-600.....	54107.....	F783.....	95

# Fairbanks Cross Reference

By Equivalent Fairbanks Number

**EQUIV.**

**FRBNKS #    RL PART #    PAGE #**

N/A.....	F1705RR.....	120
N/A.....	F1712RR.....	120
45-014-600.....	F788 .....	95
45-015-600.....	F787 .....	95
45-017-600.....	49992 .....	102
N/A.....	67385 .....	XX

XX Call for Details

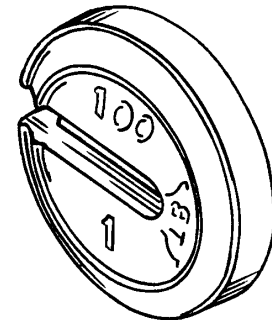
**FAIRBANKS**

# Individual Fairbanks Scale Parts

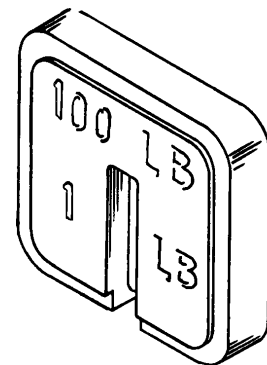
Counterpoise Weights For Portable Platform Scales, Overhead Track, Warehouse & Floor Scale Weights

RL PART #	DESCRIPTION	FB NEW #	SUGG. LIST
10154	EQUIV. FAIRBANKS NO. PA48 50 x 1/2 LB DIA 2 7/8"	<b>94080</b>	\$27.00
10156	EQUIV. FAIRBANKS NO. PA32 100 x 1 LB DIA 4"	<b>94052</b>	\$29.00
10158	EQUIV. FAIRBANKS NO. PA21 200 x 2 LB DIA 4"	<b>94032</b>	\$30.00
10160	EQUIV. FAIRBANKS NO. PB52 500 x 5 LB DIA 4"	<b>94085</b>	\$32.00
10152	EQUIV. FAIRBANKS NO. PBC32 100 x 1/2 LB DIA 2 7/8"	<b>94053</b>	\$27.00
10168	EQUIV. FAIRBANKS NO. PBC21 200 x 1 LB DIA 3 9/16"	<b>94034</b>	\$32.00
10189	EQUIV. FAIRBANKS NO. 421028 300 x 1 1/2 LB DIA 3 9/16"	<b>N/A</b>	\$29.00
10170	EQUIV. FAIRBANKS NO. PBC52 500 x 2 1/2 LB DIA 3 9/16"	<b>94086</b>	\$32.00
10196	EQUIV. FAIRBANKS NO. 199C 1000 x 5 LB DIA 4"	<b>94182</b>	\$55.00
10191	EQUIV. FAIRBANKS NO. 1A2349 50 x 1/2 LB SQUARE 2 1/4"	<b>94473</b>	\$29.00
10162	EQUIV. FAIRBANKS NO. 1A1469 100 x 1 LB SQUARE 3 1/2"	<b>17870</b>	\$29.00
10164	EQUIV. FAIRBANKS NO. 1A1470 200 x 2 LB SQUARE 3 1/2"	<b>17871</b>	\$30.00
10166	EQUIV. FAIRBANKS NO. 1A1471 500 x 5 LB SQUARE 3 1/2"	<b>17872</b>	\$45.00

*Ratio: 1 lb to 100 lb  
Round, Slotted*



*Ratio: 1/2 lb to 100 lb  
for Overhead Track,  
Warehouse,  
Floor Scales, etc.*



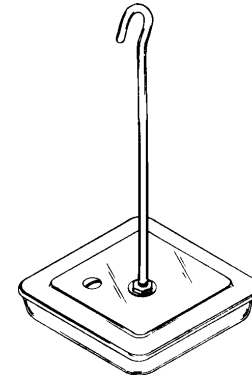
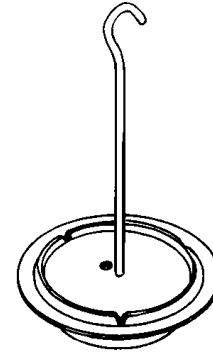
*Ratio: 1 lb to 100 lb  
Square, Slotted Weights  
used on Fairbanks  
code 1124-A and Hobart*

**FAIRBANKS**

# Individual Fairbanks Scale Parts

Counterpoise Weights & Hangers For Portable Platform Scales, Overhead Track,  
Warehouse & Floor Scale Weights

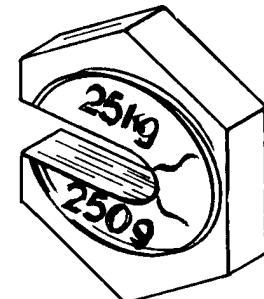
RL PART #	DESCRIPTION	FB NEW#	SUGG. LIST
10188	EQUIV. FAIRBANKS NO. A8234, PB20G COUNTERPOISE HANGERS ROUND GROSS WEIGHT: 7 OZ	N/A	\$58.00
10185	EQUIV. FAIRBANKS NO. A8234, PB20G COUNTERPOISE HANGERS ROUND GROSS WEIGHT: 12 OZ	N/A	\$58.00
10186	EQUIV. FAIRBANKS NO. A8234, PB20G COUNTERPOISE HANGERS ROUND GROSS WEIGHT: 17 OZ	N/A	\$58.00
10187	EQUIV. FAIRBANKS NO. A8234, PB20G COUNTERPOISE HANGERS ROUND GROSS WEIGHT: 21 OZ	N/A	\$58.00
10193	EQUIV. FAIRBANKS NO. 1B1135 COUNTERPOISE HANGER SQUARE GROSS WEIGHT: 21 OZ	17888	\$58.00



FAIRBANKS

## Metric Hexagon Counterpoise Weights

RL PART #	DESCRIPTION	SUGG. LIST
10266	EQUIV. FAIRBANKS NO. N/A 10 KG x 100 G 2 1/4" OVERALL	\$30.00
10268	EQUIV. FAIRBANKS NO. N/A 25 KG x 250 G 3 1/4" OVERALL	\$31.00
10270	EQUIV. FAIRBANKS NO. PAZ21 50 KG x 500 G 4 1/2" OVERALL	\$32.00
10272	EQUIV. FAIRBANKS NO. 21931 100 KG x 1 KG 4 1/2" OVERALL	\$40.00
10274	EQUIV. FAIRBANKS NO. 21930 200 KG x 2 KG 4 1/2" OVERALL	\$45.00

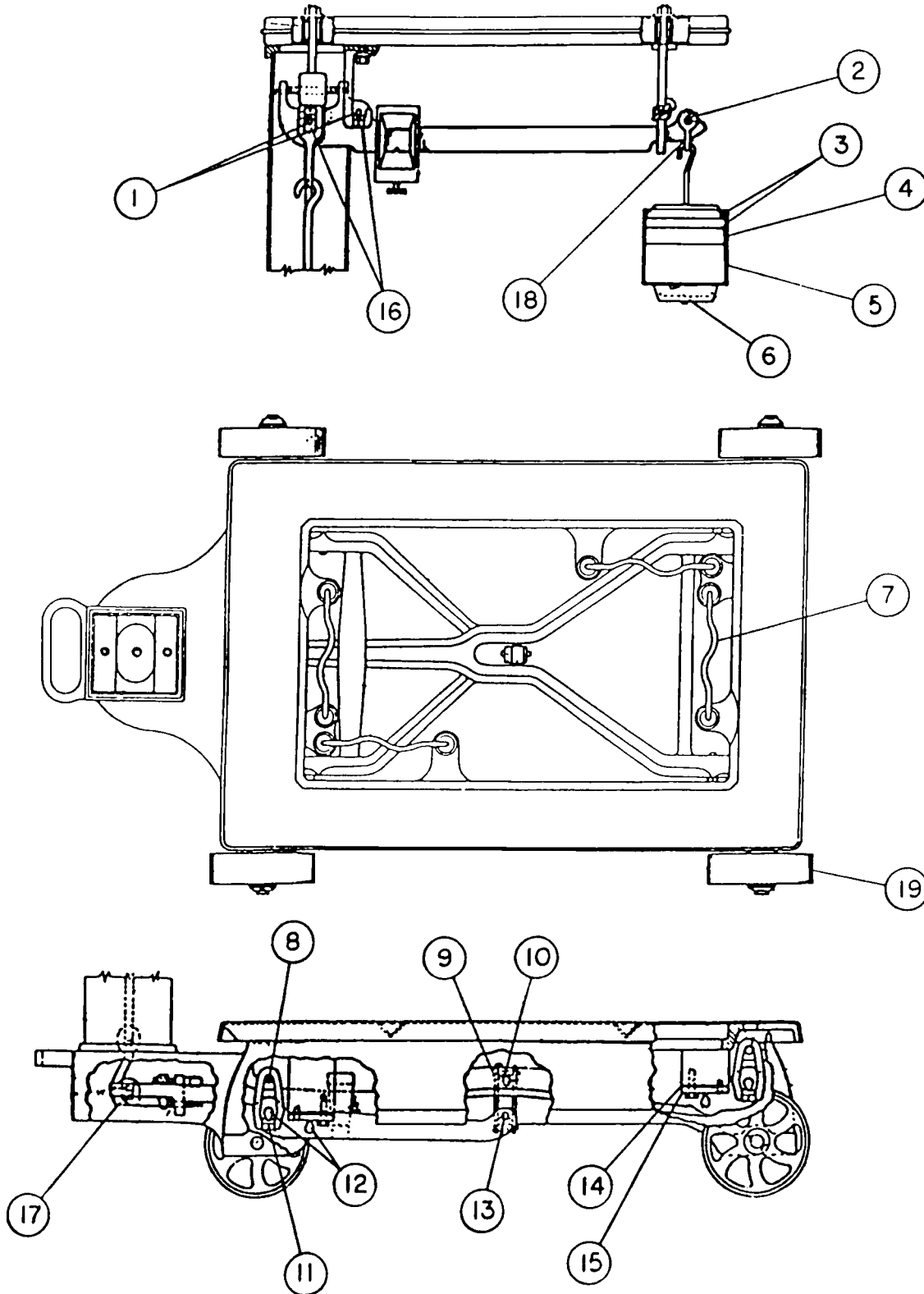


These Weights Will Stack on  
10185, 10186, 10187, 10188  
Counterpoise Hangers

# Fairbanks Reference Sheet

Portable Platform Scale Parts, Models 1124, 1280 & 12064  
Old Style with Check Rods

FAIRBANKS



# Individual Fairbanks Scale Parts

Portable Platform Scale Parts, Models 1124, 1280 & 12064

REF	QTY	RL PART #	EQUIV. FAIRBANKS #	FB NEW #	DESCRIPTION	SUGG. LIST
1	2	F489P	PB50	N/A	PIVOT, BEAM, FULCRUM & LOAD, 9/32" x 2"	\$10.00
2	1	F488P	PB42A	N/A	PIVOT, BEAM, TIP, 1/4" x 1 1/8"	\$8.00
3	2	10156	PA32	N/A	COUNTERPOISE WEIGHT, 100 x 1	\$29.00
4	1	10158	PA21	N/A	COUNTERPOISE WEIGHT, 200 x 2	\$30.00
5	1	10160	PB52	N/A	COUNTERPOISE WEIGHT, 500 x 5	\$32.00
6	1	10185	PR20G, A8234	N/A	COUNTERPOISE ASSEMBLY, ROUND (REPLACES PB20G, PA18K, DSE19, & PB127)	\$58.00
7	4	F486	PQ25B	94044	CHECK ROD	\$13.00
8	4	F484	PQ149A	94159	PIN, ALL FOUR CORNERS	\$13.00
9	1	F501	N/A	N/A	CENTER CONNECTION ASSEMBLY (REPLACES PQ679, PQ1002E, & PQ190AU)	\$17.00
10	1	F479P	PQ33C	17863	PIVOT, UPPER, LONG LEVER, CENTER CONN.	\$14.00
11	4	F502	N/A	N/A	LOOP WITH BEARING, ALL 4 CORNERS, 2 1/8" INSIDE LENGTH (REPLACES PQ24C & PQ190AN)	\$16.00
12	8	F452P	PB31D	N/A	PIVOTS, LOAD AND FULCRUM, 1/2" x 2 5/32"	\$17.00
12	4	F764P	1-37967-1	N/A	PIVOTS, LOAD AND FULCRUM, 2000 LB SCALE	\$32.00
13	1	F480P	PQ33D	N/A	PIVOT, LOWER, SHORT LEVER CENTER CONN.	\$17.00
14	4	F498	PA594	17879	SHIM, LOAD BEARING	\$4.00
15	4	F485	PA26	N/A	BEARING STEEL, LOAD WITH BOLT ROLL PIN, SHIM	\$8.00
16	4	F483	PQ190AC	94178	BEARING, BEAM, FULCRUM, & LOAD	\$17.00
17	1	F490	PQ19AC	N/A	BEARING, NOSE IRON	\$19.00
18	1	F493	1A1991	N/A	TIP LOOP, BEAM	\$13.00
19	4	F744	N/A	N/A	WHEEL	\$66.00

ORDER KIT NO. F-474-K

FAIRBANKS

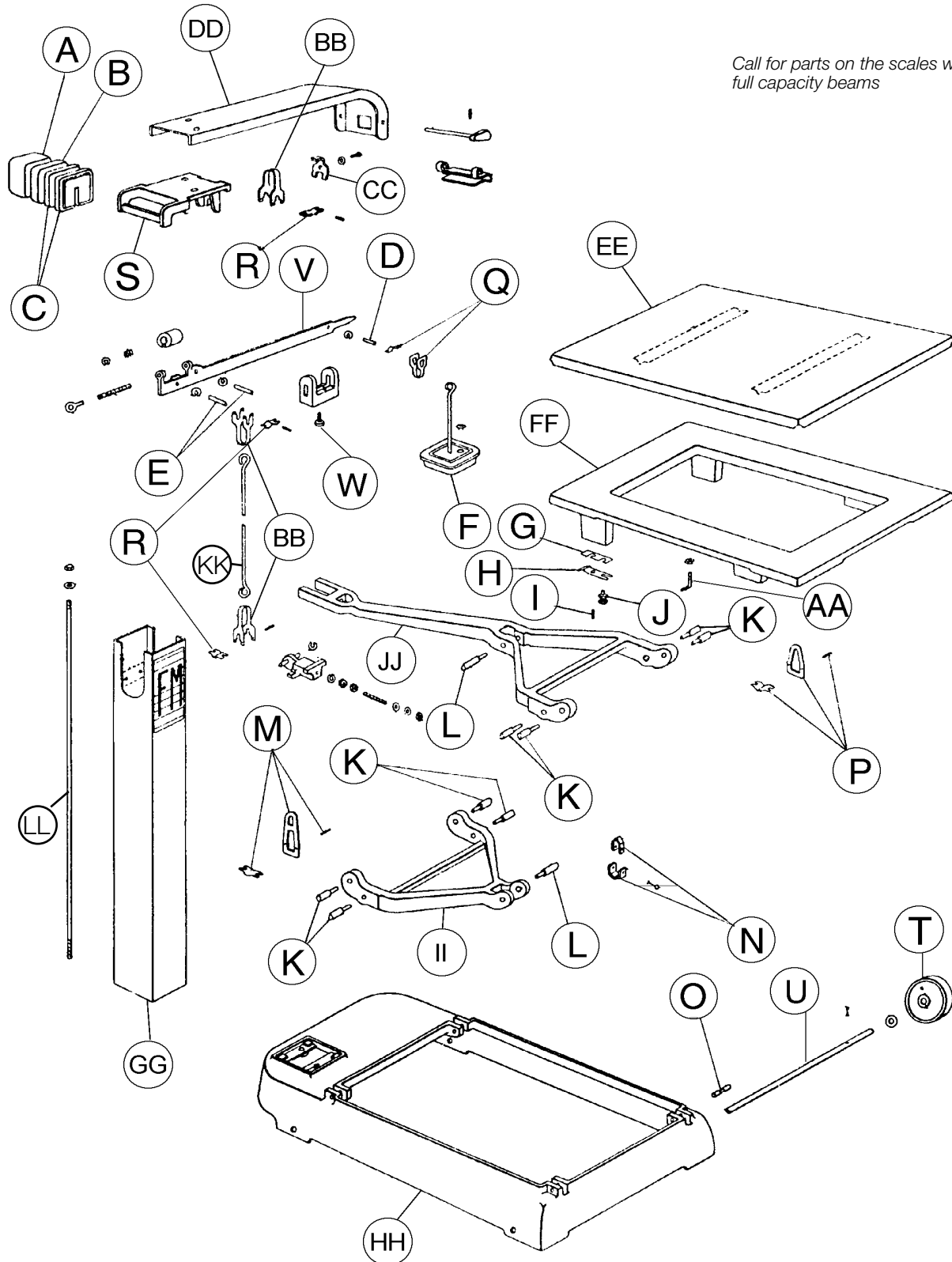
# Fairbanks Reference Sheet

Hobart Portable Platform Scale Parts

Models: RL1100, 1124A, 1280A, 12064A, 11774A, 41-3032, 41-3132, 41-3141,  
41-3160, 41-3132-A21, 41-3132-S40, 41-3132-201

Call for parts on the scales with  
full capacity beams

FAIRBANKS



# Individual Fairbanks Scale Parts

Hobart Portable Platform Scale Parts

Models: RL1100, 1124A, 1280A, 12064A, 11774A, 41-3032, 41-3132, 41-3141,  
41-3160, 41-3132-A21, 41-3132-S40, 41-3132-201 16:1 Multi.

REF	QTY	RL PART #	EQUIV. FAIRBANKS #	FB NEW#	DESCRIPTION	SUGG. LIST
A	1	10166	1A1471	<b>17872</b>	COUNTERPOISE WEIGHT, 500 x 5 SQ	\$45.00
B	1	10164	1A1470	<b>17871</b>	COUNTERPOISE WEIGHT, 200 x 2 SQ	\$30.00
C	2	10162	1A1469	<b>17870</b>	COUNTERPOISE WEIGHT, 100 x 1 SQ	\$29.00
D	1	F488P	1A779	<b>17839</b>	PIVOT, BEAM, TIP 1/4" x 1 1/8" TEAR DROP	\$8.00
D	1	*F758P	N/A	<b>N/A</b>	PIVOT, BEAM, TIP 1/4" SQ x 1 1/8"	\$14.00
E	2	F489P	1A780	<b>17840</b>	PIVOT, BEAM 9/32" x 2" TEAR DROP	\$10.00
E	1	F574P	1A2078			
			(for 413160, S40)	<b>N/A</b>	PIVOT, BEAM 9/32" x 2 1/4" TEAR DROP	\$13.00
E	1	F589P	N/A			
			(for 413160, S40)	<b>N/A</b>	PIVOT, 5/16" SQ x 2 5/16"	\$18.00
F	1	10193	1B1135	<b>17888</b>	COUNTERPOISE ASSEMBLY, SQUARE	\$58.00
G	4	F498	1A1920, PA594	<b>17879</b>	SHIM, PLATFORM	\$4.00
H	4	F496	1A495	<b>17835</b>	V-BEARING, PLATFORM, 3/4" x 2 3/4"	\$11.00
I	4	15277	SP-12.3	<b>N/A</b>	GROOVE-PIN, 5/16" x 1 1/4"	\$1.00
J	4	F497	1A1919	<b>17878</b>	STUD, PLATFORM	\$7.00
K	8	F452P	1A1408	<b>17862</b>	PIVOT, LOAD & FULCRUM, 1/2" x 2 5/32"	\$17.00
L	2	F487P	1A1409	<b>17863</b>	PIVOT, CENTER CONNECTION UPPER & LOWER, 9/32" x 2 1/4"	\$13.00
M		F575	1A1407	<b>10302</b>	BEARING ONLY FOR F482 & F492 LOOP	\$9.00
M	2	F492	1A1922	<b>10336</b>	LOOP ASSEMBLY, REAR CORNER, 1 7/8" x 4 5/8" (3 5/8" INSIDE LENGTH)	\$16.00
N	1	F481	N/A	<b>N/A</b>	FOR FB SCALES, CENTER CONN ASSY, UPPER & LOWER LINKS 1 11/16" ID	\$14.00
N	1	71069	N/A	<b>N/A</b>	FOR RL SCALES 2 1/32" ID	\$14.00
O	4	F495	1A2143	<b>10359</b>	PIN, CORNER LOOP, 3/8 x 1 1/2"	\$9.00
P	2	F482	1A1921	<b>10335</b>	LOOP ASSEMBLY, FRONT CORNER, SHORT	\$16.00
Q	1	F493	1A1991	<b>17881</b>	TIP LOOP	\$13.00
R	6	F494	1A2150	<b>17883</b>	BEARING, FULCRUM & LOAD BEAM, ALSO NOSE IRON BEARING, 1 1/4" L x 11/16" W x 3/32" THICK	\$10.00
S	1	22309	5C514-1	<b>10127</b>	BEAM SUPPORT WEIGHT HANGER	\$44.00
T	4	F596		<b>12199</b>	WHEEL	\$33.00
U	2	F597	1-17371	<b>17927</b>	AXLE	\$13.00
V	1	22316	N/A	<b>N/A</b>	BEAM, W/POISE, PIVOTS AND BALANCE BALLS.	\$210.00
W	1	F786	N/A	<b>N/A</b>	POISE SCREW	\$12.00
AA	2	D951	1-A3839-1	<b>N/A</b>	SPIDER LOCK DOWN	\$9.00
BB	3	22315	N/A	<b>N/A</b>	HANGER	\$26.00
CC	1	22314	N/A	<b>N/A</b>	CLAMP	\$8.00
DD	1	22310	N/A	<b>N/A</b>	BEAM SUPPORT	\$67.00
EE	1	22320	N/A	<b>N/A</b>	COVER	\$75.00
FF	1	22321	N/A	<b>N/A</b>	SPIDER	Obsolete
GG	1	22306	N/A	<b>N/A</b>	COLUM	\$75.00
HH	1	22305	N/A	<b>N/A</b>	BASE	Obsolete
II	1	22327	N/A	<b>N/A</b>	SHORT LEVER	\$145.00
JJ	1	22328	N/A	<b>N/A</b>	LONG LEVER	\$165.00
KK	1	22308	N/A	<b>N/A</b>	STEEL YARD ROD	\$18.00
LL	2	22307	N/A	<b>N/A</b>	ROD, PILLAR	\$20.00

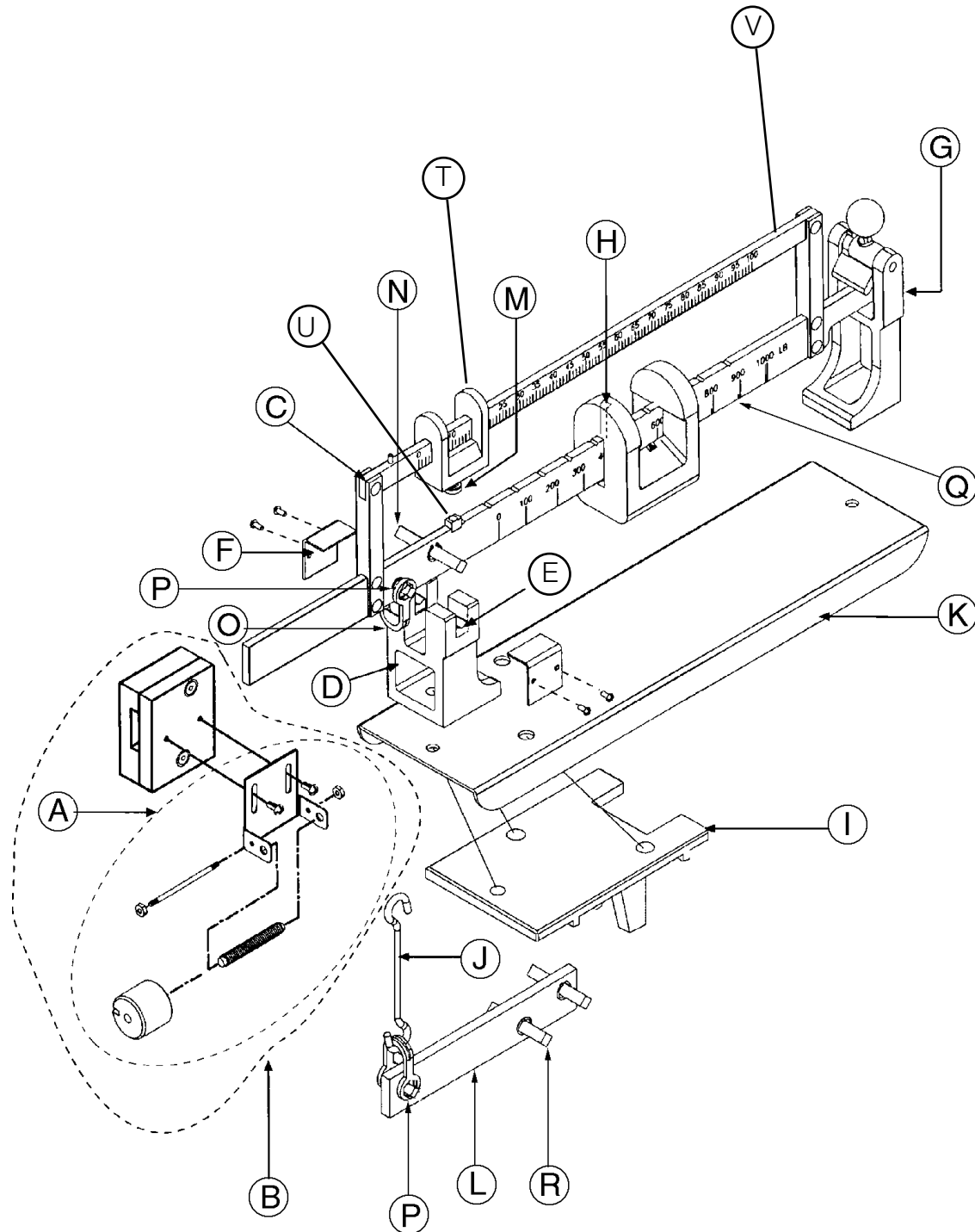
ORDER KIT NO. F-475-K



# Fairbanks Reference Sheet

Models: F594PLS

FAIRBANKS



# Rice Lake Full Capacity Beam Parts

Call for Compatible Fairbanks Parts

Models: F594PLS

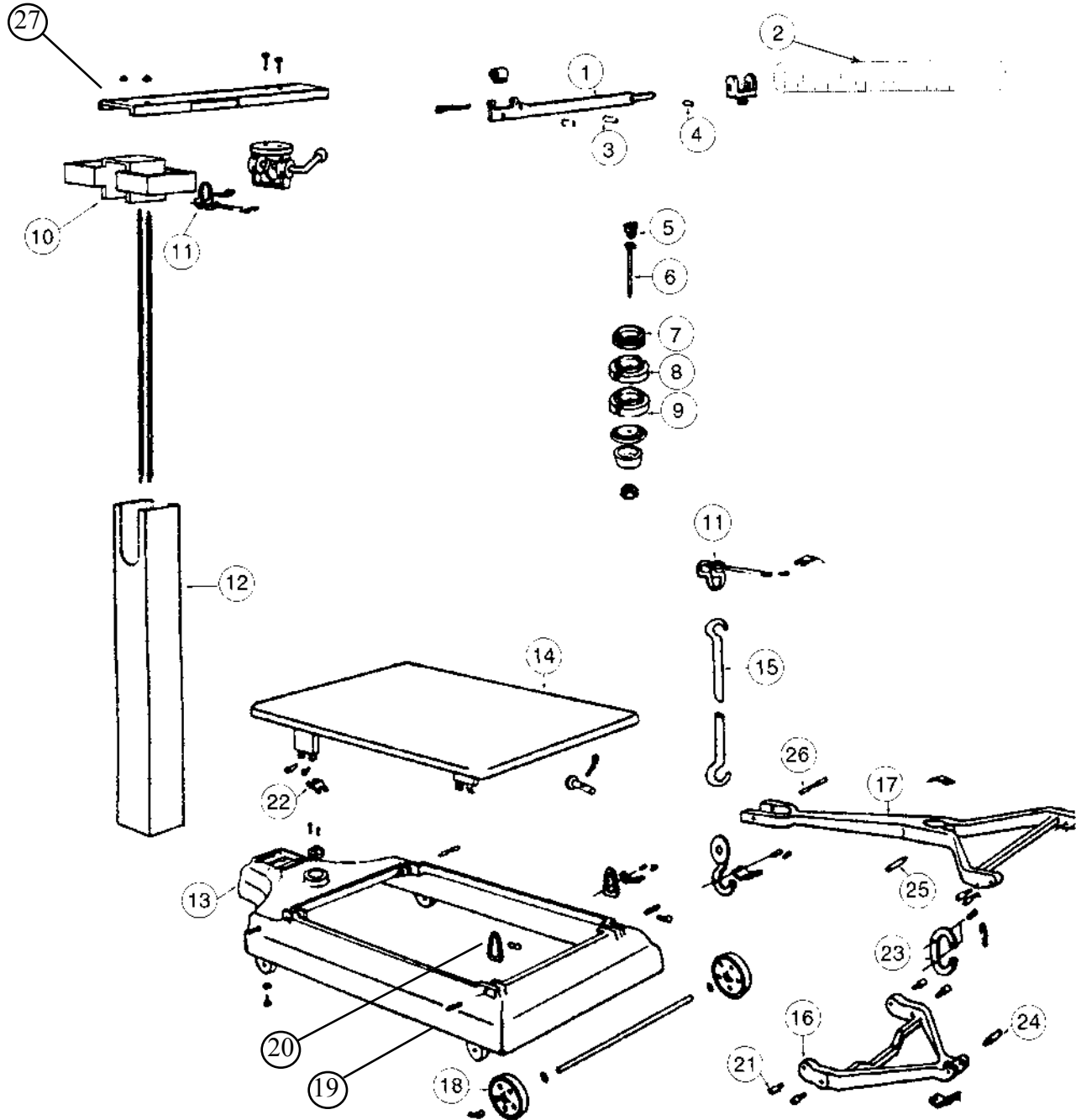
REF	RL PART #	DESCRIPTION	SUGG. LIST
A.....	33956.....	BALANCE BALL ASSEMBLY ..... INCLUDES BALANCE BALL BALANCE BALL ADJUSTMENT SCREW BALANCE BALL BRACKET PIN WITH NUTS	\$154.00
B.....	33980.....	BALANCE BALL ASSEMBLY WITH BACK BALANCE.....	\$121.00
C.....	F594SA.....	COMPLETE BEAM WITH LOOP, PIVOTS, BALANCE BALL & POISE.....	\$560.00
D.....	F594-12.....	FULCRUM STAND WITH BEARINGS & FRICTION PLATES.....	\$95.00
E.....	F594-22.....	BEARING ONLY.....	\$20.00
F.....	F594-17.....	FRICTION PLATE ONLY.....	\$18.00
G.....	F594-16.....	STAND, TRIG ASSEMBLY.....	\$112.00
H.....	F594-23.....	POISE DOG (SCREW PART #14909).....	\$14.00
I.....	F594-18.....	PILLAR CAP (CASTING).....	\$68.00
J.....	F594-14.....	HOOK, LOAD.....	\$17.00
K.....	F594-11.....	SHELF, TOP PLATE.....	\$72.00
L.....	F594-15A.....	SHELF LEVER ASSEMBLY.....	\$98.00
M.....	F594-24.....	THUMB SCREW.....	\$14.00
*N.....	F594-29.....	PIVOT FULCRUM, F594P FOR FB SCALES.....	\$23.00
O.....	F493.....	LOOP.....	\$13.00
*P.....	F594-28.....	PIVOT, LOAD, F488P FOR FB SCALES.....	\$23.00
Q.....	32294.....	LOWER BEAM SUB-ASSEMBLY.....	\$245.00
*R.....	F594-27.....	PIVOT, F489P FOR FB SCALES.....	\$23.00
S.....	22315.....	LOOP, LOAD ON SMALL BEAM (NOT SHOWN).....	\$26.00
T.....	F594-4.....	POISE, TOP.....	\$78.00
U.....	F594-9.....	STOP (SCREW 21999).....	\$9.00
V.....	F594-2.....	UPPER BEAM.....	\$137.00

**FAIRBANKS**

# Fairbanks Reference Sheet

1124, 1125, 1126 and TS1000  
New Style (No Check Rods)

FAIRBANKS



See next page

# Individual Fairbanks Scale Parts

Portable Platform Scale Parts  
1124, 1125, 1126 and TS 1000  
New Style (No Check Rods)

REF	RL PART #	EQUIV. FAIRBANKS #	FB NEW #	DESCRIPTION	SUGG. LIST
1	CALL	2-55441-BA	<b>95843</b>	BEAM ASSEMBLY	XX
2	*50930	2-55441-BBI	<b>95845</b>	BRASS BEAM INSERT SET	\$61.00
5	F493	N/A	<b>N/A</b>	TIP, LOOP	\$13.00
6	10188	N/A	<b>58935</b>	COUNTER POISE HANGER	\$58.00
7	10156	2-55444-55	<b>94052</b>	COUNTER POISE WEIGHT, 100 LB. x 1	\$29.00
8	10158	2-55444-56	<b>94032</b>	COUNTER POISE WEIGHT, 200 LB. x 2	\$30.00
9	10160	N/A	<b>94085</b>	COUNTER POISE WEIGHT, 500 LB. x 5	\$32.00
10	105598	2-55441-39	<b>95839</b>	WEIGHT RACK	\$71.00
12	CALL	2-55443-2	<b>N/A</b>	PILLAR	XX
13	CALL	2-55443-4	<b>95848</b>	BASE FRAME	XX
14	CALL	2-55443-3	<b>95847</b>	COVER	XX
15	CALL	2-55443-15	<b>58934</b>	STEEL YARD ROD WITH HOCK AND BEARING	XX
16	CALL	2-55443-25	<b>72948</b>	SHORT MAIN LEVER ASSEMBLY	XX
17	CALL	2-55443-33	<b>72947</b>	LONG MAIN LEVER ASSEMBLY	XX
18	CALL	2-55447-16	<b>95869</b>	WHEELS 5" DIAMETER x 5/8" BORE	XX
19	41650	2-55446-10	<b>N/A</b>	PINS, FULCRUM LOOPS	\$10.00
20	41642	2-55446-13	<b>58938</b>	FULCRUM LOOPS	\$19.00
21	41645	2-55446-24	<b>95861</b> <b>71632</b>	LOAD AND FULCRUM PIVOTS M.L.	\$16.00
22	41651	2-55446-6	<b>58937</b>	BEARING, LOAD, PLATE FORM	\$12.00
23	41643	2-55446-69	<b>58939</b>	CENTER CONNECTION WITH BEARINGS	\$17.00
24	50931	2-55446-30	<b>N/A</b>	PIVOT, TIP, SHORT LEVER, 2"	\$19.00
25	51981	2-55446-31	<b>95863</b>	PIVOT, CENTER OF LONG LEVER, 3 3/4"	\$19.00
26	62980	2-55446-34	<b>95864</b>	PIVOT, TIP, LONG LEVER	\$19.00
27	CALL	2-55446-45	<b>95841</b>	BEAM CAP	XX

\*This part number includes both front and back. These are brass and need to be applied with contact cement.

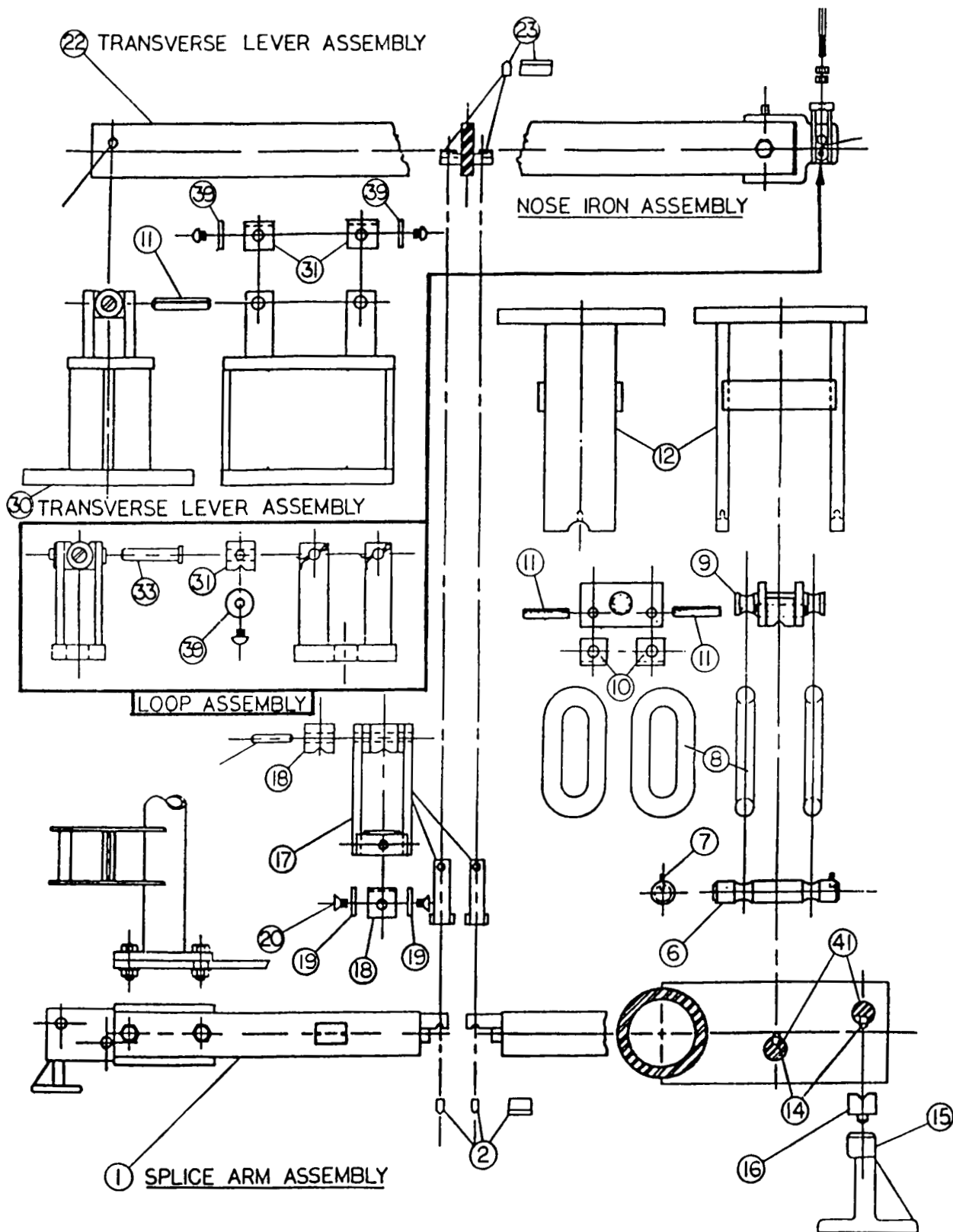
XX Call for Details

**FAIRBANKS**

# Fairbanks Reference Sheet

Pipe Lever Scale Parts On Stands, 10,000 lb

FAIRBANKS



# Individual Fairbanks Scale Parts

Pipe Lever Scale Parts On Stands, 10,000 lb

REF	QTY	RL PART #	EQUIV. FAIRBANKS #	FB NEW #	DESCRIPTION	SUGG. LIST
2.....	8.....	F309P.....	82543A.....	<b>96317</b>	PIVOT, 1/4" x 1/2" x 15/16".....	\$17.00
6.....	4.....	F301.....	84013.....	<b>59932</b>	TRUNNION BAR ASSEMBLY.....	\$33.00
7.....	4.....	15242.....	N/A.....	<b>N/A</b>	SPRING PIN, 5/32" x 1/2" L.....	\$1.00
8.....	8.....	F312L.....	84011, 87461.....	<b>59931</b>	LINK, 5/8" DIA, INSIDE LENGTH 3/4".....	\$31.00
9.....	4.....	F302.....	84009.....	<b>59930</b>	SADDLE BLOCK ASSEMBLY.....	\$102.00
10.....	8.....	F303.....	82551C.....	<b>N/A</b>	BEARING STEEL, 1" SQUARE, NO TAPPED HOLE..	\$26.00
11....	10.....	15292.....	N/A.....	<b>N/A</b>	SPRING PIN, 3/8" x 1 3/4" L.....	\$1.00
14....	16.....	F304P.....	82543.....	<b>N/A</b>	PIVOT, 1/4" X 1/2" X 1 1/8".....	\$17.00
16.....	4.....	F305.....	84016, 87460.....	<b>60537</b>	BEARING STEEL, 1" X 3/4" X 3 1/8".....	\$29.00
18.....	4.....	F307.....	82551A, A12417-2.....	<b>94893</b>	BEARING STEEL, 1" SQUARE, 2 TAPPED HOLES ...	\$29.00
19....	12.....	F308.....	WJ361A, 5A12163-5.....	<b>54816</b>	FRICTION PLATE.....	\$8.00
20....	12.....	14884.....	N/A.....	<b>N/A</b>	SCREWS, 1/4-20 x 5/16" L.....	\$0.50
21.....	4.....	15294.....	N/A.....	<b>N/A</b>	SPRING PIN, 3/8" x 2".....	\$0.60
22.....	8.....	F309P.....	82543A.....	<b>96317</b>	PIVOT, 1/4" x 1/2" x 15/16".....	\$17.00
23.....		F323P.....	84310.....	<b>59982</b>	PIVOT, 1/4" x 1/2" x 1 1/2" BOTH ENDS TAPERED SAME WAY.....	\$23.00
30.....	4.....	F310.....	82551B, A12417-2.....	<b>N/A</b>	BEARING, STEEL, 1" SQUARE, 1 TAPPED HOLE.....	\$29.00

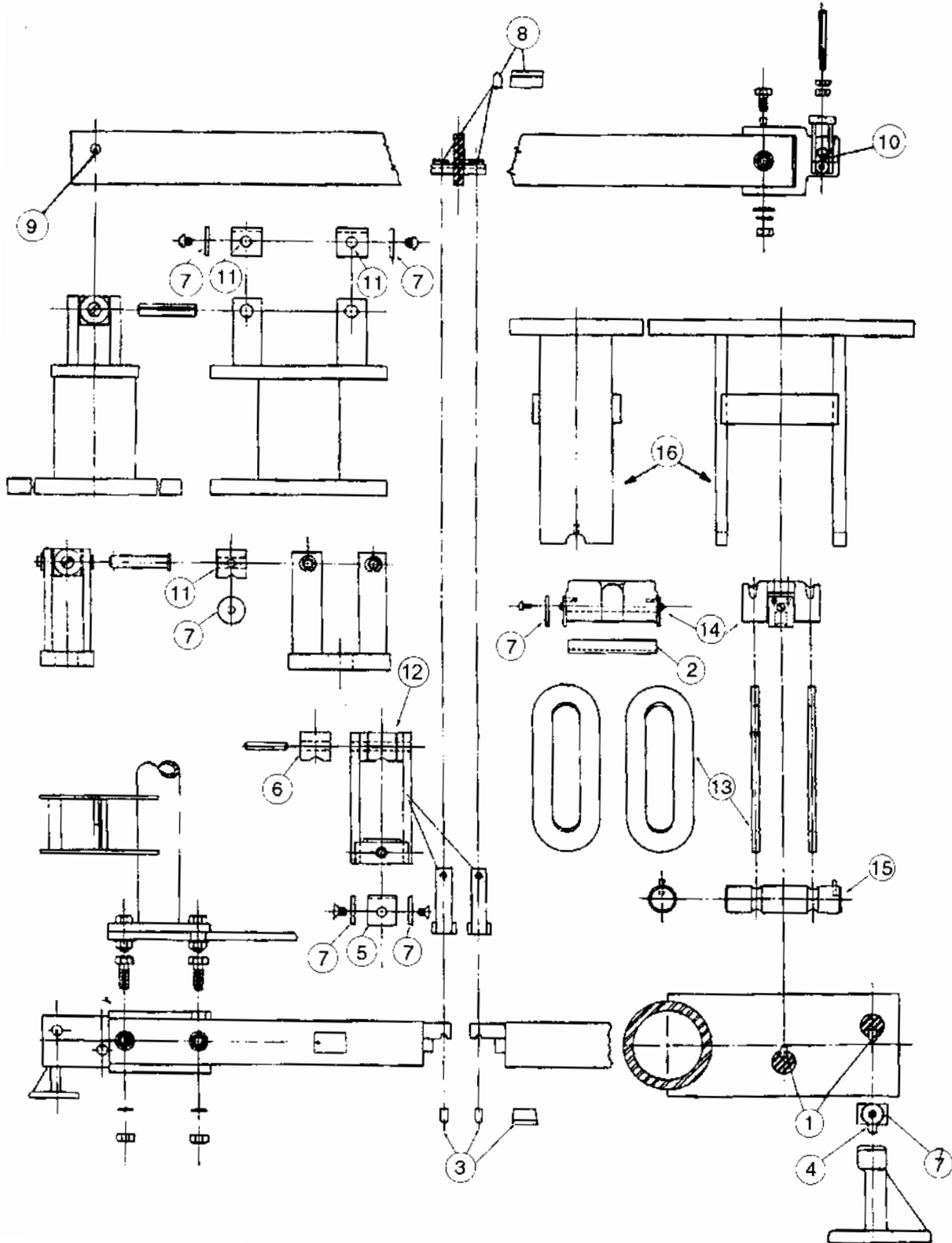
ORDER KIT NO. F-468-K

**FAIRBANKS**

# Fairbanks Reference Sheet

Pipe Lever Scale Parts On Stands, 20,000 lb

FAIRBANKS



# Individual Fairbanks Scale Parts

Pipe Lever Scale Parts On Stands, 20,000 lb

REF	QTY	RL PART #	EQUIV. FAIRBANKS #	FB NEW #	DESCRIPTION	SUGG. LIST
1	8	F465P	FG313, FG313A	<b>54789</b>	PIVOT, LOAD & FULCRUM	\$27.00
2	4	F538	74322, 85111	<b>96300</b>	BEARING, LOAD	\$33.00
3	2	F309P	82543A, 84122	<b>96317</b>	PIVOT, TIP	\$17.00
4	4	F326	84154, 85309	<b>96323</b>	BEARING	\$42.00
5	2	F303	82551C, 84121	<b>N/A</b>	BEARING	\$26.00
6	2	F307	82551A, A12417-1	<b>94893</b>	BEARING	\$29.00
7	8	F308	WJ361A, 5A12163-5	<b>54816</b>	FRICITION PLATE	\$8.00
8	2	F323P	84310	<b>59982</b>	PIVOT, LOAD	\$23.00
10	2	F753PSS	84126	<b>59951</b>	PIVOT, TIP	\$27.00
11	2	F310	82551B, A12417-2	<b>N/A</b>	BEARING	\$29.00

ORDER KIT NO. F-521-K

## Suspension Kit Parts (For The Scale Listed Above)

REF	QTY	RL PART #	EQUIV. FAIRBANKS #	FB NEW #	DESCRIPTION	SUGG. LIST
13	8	F325L	87244	<b>59953</b>	LINK CASTING NO. 84136	\$41.00
14	4	F327	87465	<b>60540</b>	SADDLE BLOCK NO. 84135	\$155.00
15	4	F328	84138	<b>59954</b>	TRUNNION	\$39.00

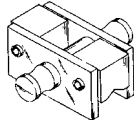
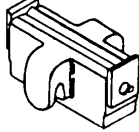
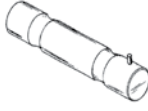
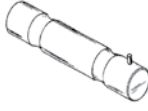
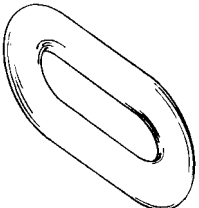
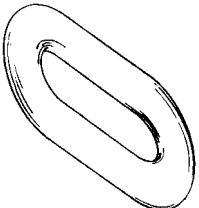
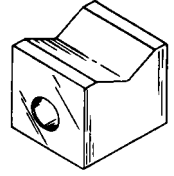
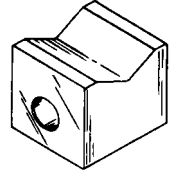
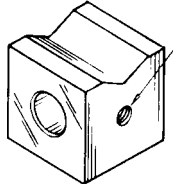
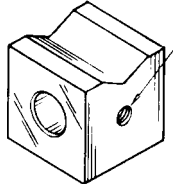
ORDER KIT NO. F-522-K

FAIRBANKS



# Individual Fairbanks Scale Parts

## Pipe Lever Scale Parts

RL PART #	DESCRIPTION	FB NEW #	SUGG. LIST	
*F302	EQUIV. FAIRBANKS NO. 84009 SIZE: 3" x 1 1/2" x 3 1/4" SADDLE ASSEMBLY 10,000 LB	<b>59930</b>	\$102.00	
*F327	EQUIV. FAIRBANKS NO. 70329, 87465, 84135 SIZE: 1 3/8" x 1 15/16" x 4 1/16" SADDLE BLOCK, F538 BEARING INSERT INCLUDED 20,000 LB	<b>60540</b>	\$155.00	
*F301	EQUIV. FAIRBANKS NO. 84013 SIZE: 3/4" DIA x 4 5/8" TRUNNION BAR ASSEMBLY 10,000 LB	<b>59932</b>	\$33.00	
*F328	EQUIV. FAIRBANKS NO. 84138 SIZE: 1 1/4" DIA x 5 1/4" GROOVES 2 1/2" APART TRUNNION BAR, ROLL PIN 5/32" 20,000 LB	<b>59954</b>	\$39.00	
F312L	EQUIV. FAIRBANKS NO. 84011, 87461 SIZE: 5/8" DIA x 3 1/4" INSIDE LENGTH LINK 10,000 LB	<b>59931</b>	\$31.00	
*F325L	EQUIV. FAIRBANKS NO. 84136H, 87466, 87244 SIZE: 11/16" WIDE x 7/16" THICK INSIDE LENGTH 5 1/2", LINK 40/50 20,000 LB CAST	<b>59953</b>	\$41.00	
*F303	EQUIV. FAIRBANKS NO. 82551C STAINLESS STEEL BEARING, 1" SQUARE	<b>59947</b>	\$26.00	
F311	EQUIV. FAIRBANKS NO. 1-32552-1, 89622, 82551 SIZE: 1" x 1" x 1 3/16" USED IN FAIRBANKS HOPPER OVERHEAD TYPE HANGING SCALE	<b>N/A</b>	\$27.00	
*F307 F780SS	EQUIV. FAIRBANKS NO. 82551A, A12417-2 EQUIV. FAIRBANKS NO. 88970 BEARING STEEL, 1" SQUARE 2 TAPPED HOLES USE F-308 & 14884 FRICTION & SCREW	<b>94893</b>	\$29.00 \$67.00	 THREADED HOLE - BOTH ENDS
*F310	EQUIV. FAIRBANKS NO. 82551B BEARING STEEL, 1" SQUARE, 1 TAPPED HOLE USE F308 & 14884 FRICTION & SCREW	<b>N/A</b>	\$29.00	

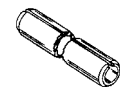
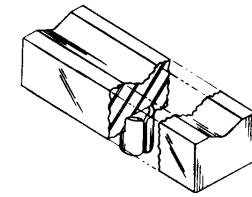
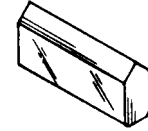
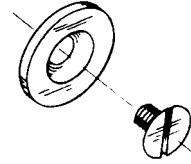
\*Item obsolete or discontinued. When remaining stock is depleted, published prices are withdrawn and the item is subject to a special order quote.

FAIRBANKS

# Individual Fairbanks Scale Parts

## Pipe Lever Scale Parts

RL PART #	DESCRIPTION	FB NEW #	SUGG. LIST
F308 14884	EQUIV. FAIRBANKS NO. CL817 FRICTION PLATE & SCREW SCREW 1/4-20 x 5/16"	<b>54816</b>	\$8.00 \$0.50
F756 22003	EQUIV. FAIRBANKS NO. WJ361A FRICTION PLATE & SCREW SCREW 10-24 x 5/16"	<b>54816</b>	\$8.00 \$0.50
F304P	EQUIV. FAIRBANKS NO. 82543 STAINLESS STEEL SIZE: 1/4" x 1/2" x 1 1/8" PIVOT	<b>59846</b>	\$17.00
F309P	EQUIV. FAIRBANKS NO. 82543A SIZE: 1/4" x 1/2" x 15/16" PIVOT, BOTH ENDS TAPERED	<b>96317</b> <b>59948</b>	\$17.00
*F753PSS	SIZE: 1/4" x 1/2" x 1" STRAIGHT ENDS	<b>59951</b>	\$27.00
*F323P	EQUIV. FAIRBANKS NO. 84310 SIZE: 1/4" x 1/2" x 1 1/2" PIVOT, BOTH ENDS TAPERED SAME WAY	<b>59982</b> <b>59983</b>	\$23.00
*F305	EQUIV. FAIRBANKS NO. 84016, 87460 SIZE: 1" x 3/4" x 3 1/8" NCLUDES 3/8" x 3/4" ROLL PIN BEARING, 10,000 LB FULCRUM	<b>60537</b> <b>59943</b>	\$29.00
F556	EQUIV. FAIRBANKS NO. WJ362B SIZE: 1" x 3/4" x 3 1/8" WITH 3/8" ROLL PIN BEARING WITH ONE FRICTION PLATE	<b>N/A</b>	\$43.00
F326	EQUIV. FAIRBANKS NO. 84154 SIZE: 1" x 1 1/4" x 4 1/16" INCLUDES 3/8" x 3/4" ROLL PIN/FRICTION PLATES BEARING, 20,000 LB FULCRUM	<b>96303</b>	\$42.00
15242 15292 15294	SPRING PIN, 5/32" x 1/2" LONG SPRING PIN, 3/8" x 1 3/4" LONG SPRING PIN, 3/8" x 2" LONG	<b>N/A</b>	\$1.00 \$1.00 \$0.60



\*Item obsolete or discontinued. When remaining stock is depleted, published prices are withdrawn and the item is subject to a special order quote.

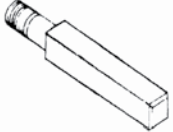
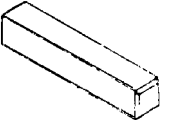
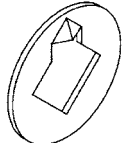
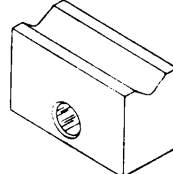
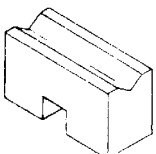
**FAIRBANKS**

# Individual Fairbanks Scale Parts

Warehouse & Floor Scale Parts

Steel Fabricated Models: 23-2001 Through 23-2006 & 23-2011

Levertronic Models: 14-2001, 14-2002, & 14-2004

RL PART #	DESCRIPTION	FB NEW #	SUGG. LIST	
F729P	EQUIV. FAIRBANKS NO. 1-27979-1, 89604 SIZE: 1/2" x 1/2" x 3 7/8" 7/16-20 THREAD KNIFE EDGE: 2 13/16" PIVOT	<b>61317</b>	\$32.00	
*F730P	EQUIV. FAIRBANKS NO. 1-29383-1, 89603 SIZE: 1/2" x 1/2" x 3 9/16" PIVOT	<b>61316</b>	\$32.00 \$44.00	
F762	EQUIV. FAIRBANKS NO. 89605, 1A222 SIZE: 1" DIA FRICTION PLATE	<b>61318</b>	\$8.00	
F311	EQUIV. FAIRBANKS NO. 1-32552-1, 89622, 82551 SIZE: 1" x 1" x 1 3/16" LONG HOLE SIZE: 13/32" BEARING	<b>96318</b>	\$27.00 \$38.00	
*F738	EQUIV. FAIRBANKS NO. 1-32552-3, 89623 SIZE: 1" x 1" x 1 1/2" LONG HOLE SIZE: 3/8" BEARING	<b>N/A</b>	\$28.00	
F731	EQUIV. FAIRBANKS NO. 1-29250-1, 89620 SIZE: 1" x 1" x 1 25/32" LONG HOLE SIZE: 13/32" BEARING	<b>61331</b>	\$29.00 \$51.00	
*F732	EQUIV. FAIRBANKS NO. 1-29314-1 13/16" x 1 13/16" BEARING	<b>95065</b>	\$37.00	

\*Item obsolete or discontinued. When remaining stock is depleted, published prices are withdrawn and the item is subject to a special order quote.

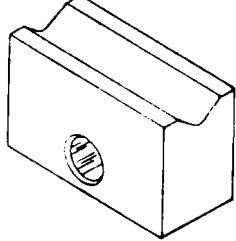
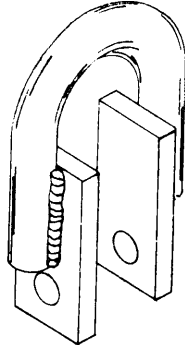
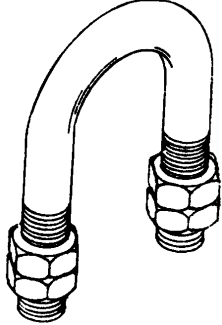
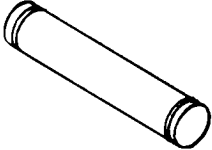
FAIRBANKS

# Individual Fairbanks Scale Parts

Warehouse & Floor Scale Parts

Steel Fabricated Models: 23-2001 Through 23-2006 & 23-2011

Levertronic Models: 14-2001, 14-2002, & 14-2004

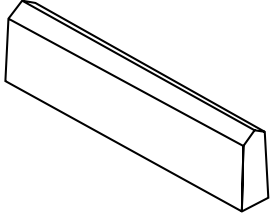
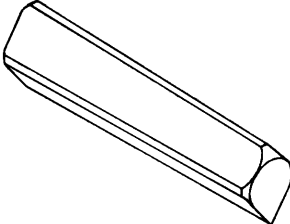
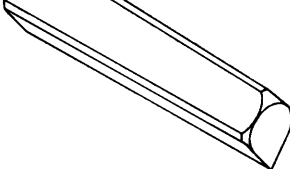
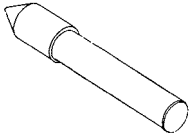
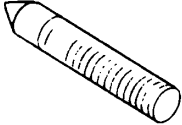
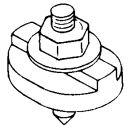


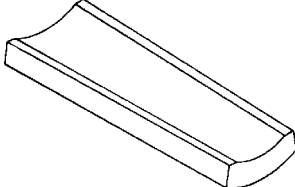
RL PART #	DESCRIPTION	FB NEW #	SUGG. LIST	
*F737	EQUIV. FAIRBANKS NO. 1-34815-1, 89621 SIZE: 13/16" x 1 1/8" x 1 13/16" HOLE SIZE: 25/64" BEARING, STAND	61332	\$29.00	
*F739	EQUIV. FAIRBANKS NO. 2-29377-1, 89651 SIZE: 1/2" DIA x 2 9/16" x 3/4" LONG USE PIN F742	61348	\$51.00	
*F740	EQUIV. FAIRBANKS NO. 1-29255-1, 89624, SIZE: 1/2" DIA x 2 1/2" WIDE x 3 7/16" LONG U-BOLT, LOAD	61335	\$41.00	
*F741	EQUIV. FAIRBANKS NO. 5A9356-12, 89626 SIZE: 3/8" DIA x 2 1/16" LONG PIN WITH SNAP RINGS	61338	\$13.00	
*F742	EQUIV. FAIRBANKS NO. 5A9356-10, 89625 SIZE: 3/8" DIA x 1 7/8" LONG PIN WITH SNAP RINGS	61337	\$13.00	

\*Item obsolete or discontinued. When remaining stock is depleted, published prices are withdrawn and the item is subject to a special order quote.

FAIRBANKS

# Individual Fairbanks Scale Parts

Truss Lever Stock Scale Models 11492, 11514, 11548, 11596

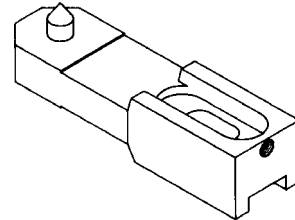
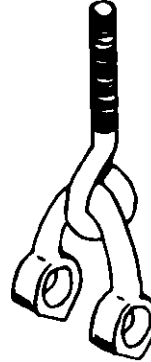
RL PART #	DESCRIPTION	FB NEW #	SUGG. LIST	
F541P	EQUIV. FAIRBANKS NO. WA19 SIZE: 7/16" x 7/8" x 3 1/4" LOAD PIVOT	N/A	\$45.00	
F540P	EQUIV. FAIRBANKS NO. WA18C SIZE: 13/16" x 5" FULCRUM PIVOT, 5 TON	N/A	\$47.00	
F586P	EQUIV. FAIRBANKS NO. WD18A SIZE: 7/8" x 5" FULCRUM PIVOT, 10 TON	N/A	\$49.00	
F545P	EQUIV. FAIRBANKS NO. WDA31 SIZE: 5/8" x 3 1/2" SHELF LEVER PIVOT	N/A	\$44.00	
F542P	EQUIV. FAIRBANKS NO. WA20A SIZE: 7/16" x 2 1/16" CENTER PIN PIVOT	N/A	\$23.00	
F548P	EQUIV. FAIRBANKS NO. W3A20 SIZE: 7/16" x 2 1/4" 14 U. S. STANDARD THREAD THREADED PIN PIVOT	N/A	\$23.00	
F549	EQUIV. FAIRBANKS NO. WA23 SIZE: 2 1/8" x 2 1/4" BUTTON, NOSE IRON	N/A	\$48.00	
F529	EQUIV. FAIRBANKS NO. WA44B 54046 SIZE: 25/32" DIA x 13/32" PIVOT CUP	54046	\$19.00	
F543	EQUIV. FAIRBANKS NO. WA61 SIZE: 1/4" x 1 1/4" x 3 1/2" BEARING STEEL	N/A	\$49.00	

FAIRBANKS

# Individual Fairbanks Scale Parts

Truss Lever Stock Scale Models 11492, 11514, 11548, 11596

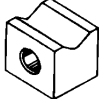
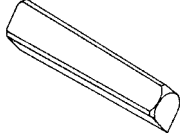
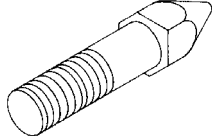
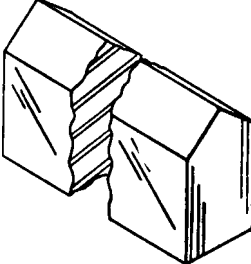
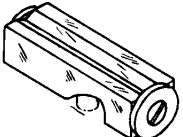
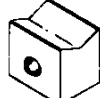

RL PART #	DESCRIPTION	FB NEW #	SUGG. LIST
F544	EQUIV. FAIRBANKS NO. WB10-MI SIZE: 3 15/16" x 3 5/8" LOOP FULCRUM	N/A	\$135.00
F546	EQUIV. FAIRBANKS NO. WA329 SIZE: 3/4" DIA ROD 10" EYE & LOOP FULCRUM, 5-TON	N/A	\$168.00
F547	EQUIV. FAIRBANKS NO. WA328 SIZE: 3/4" DIA ROD 7" EYE & LOOP FULCRUM, 5-TON	N/A	\$168.00
F792	EQUIV. FAIRBANKS NO. WG328 SIZE: 1" DIA ROD x 9 1/4" EYE & LOOP FULCRUM, 10-TON	N/A	\$240.00
F793	EQUIV. FAIRBANKS NO. WG329 SIZE: 1" DIA ROD x 12 1/4" EYE & LOOP FULCRUM, 10-TON	N/A	\$240.00
F582	EQUIV. FAIRBANKS NO. WA21A SIZE: 1 1/4" x 1 1/2" x 5 9/16" NOSE IRON, SINGLE PIVOT, 5-TON	N/A	\$160.00
F583	EQUIV. FAIRBANKS NO. WA22A SIZE: 1 1/4" x 1 1/2" x 5 9/16" NOSE IRON, DOUBLE PIVOT, 5-TON	94036	\$160.00
F584	EQUIV. FAIRBANKS NO. WG22A SIZE: 1 1/4" x 2" x 5 3/4" NOSE IRON, SINGLE PIVOT, 10-TON	94037	\$160.00
F585	EQUIV. FAIRBANKS NO. WG21A SIZE: 1 1/4" x 2" x 5 3/4" NOSE IRON, DOUBLE PIVOT, 10-TON	N/A	\$160.00



FAIRBANKS

# Individual Fairbanks Scale Parts

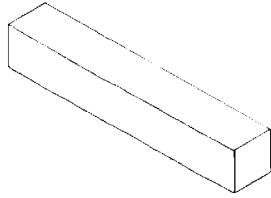
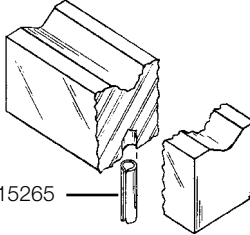
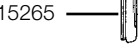
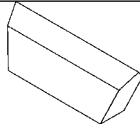
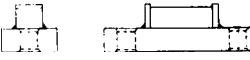

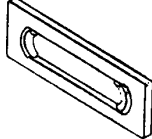
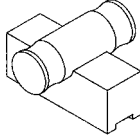
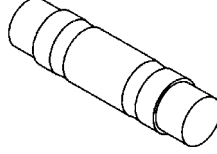
Self-Contained Wagon, 5 & 10-Ton

RL PART #	DESCRIPTION	FB NEW #	SUGG. LIST	
F735	EQUIV. FAIRBANKS NO. WJ390A SIZE: 3/4" x 3/4" x 1" BEARING	N/A	\$26.00	
F759P	EQUIV. FAIRBANKS NO. WJ31 SIZE: 9/16" SQ x 5 1/2" PIVOT	N/A	\$46.00	
F750P	EQUIV. FAIRBANKS NO. WJ379 SIZE: 9/16" HEX x 1 15/16" PIVOT, HEX THREAD SIZE 3/8"-16UNC	N/A	\$41.00	
F458P	EQUIV. FAIRBANKS NO. WR281 SIZE: 1/2" x 1" x 3" TAPERED ON BOTH ENDS	54736	\$22.00	
F532P	EQUIV. FAIRBANKS NO. SE255 SIZE: 1/2" x 1" x 1 1/2" TAPERED ON BOTH ENDS	54715	\$17.00	
F554P	EQUIV. FAIRBANKS NO. WJ280A SIZE: 7/16" x 7/8" x 1" TAPERED ON BOTH ENDS	N/A	\$21.00	
F555P	EQUIV. FAIRBANKS NO. WJ281 SIZE: 7/16" x 7/8" x 3" TAPERED ON BOTH ENDS	N/A	\$26.00	
F556	EQUIV. FAIRBANKS NO. WJ362B SIZE: 1" x 3/4" x 3 1/8" WITH 3/8" ROLL PIN ONE FRICTION PLATE ONE END TAPPED: 1/4-20 BEARING	N/A	\$43.00	
F571	EQUIV. FAIRBANKS NO. WR613 SIZE: 3/4" x 3/4" x 1 1/4" HOLE SIZE: 1/4" BEARING	N/A	\$27.00	
F572	EQUIV. FAIRBANKS NO. WJ390 SIZE: 7/16" x 7/8" x 1" HOLE SIZE: 1/4" BEARING	N/A	\$27.00	

FAIRBANKS

# Individual Fairbanks Scale Parts

Motor Truck Scales, Holman Plant

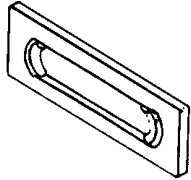
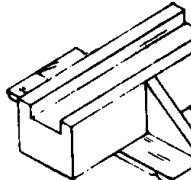


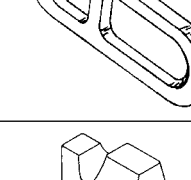

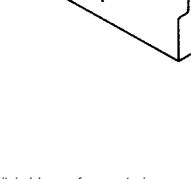

RL PART #	DESCRIPTION	NEW FB #	SUGG. LIST	
10763	EQUIV. FAIRBANKS NO. 40-011-600 SIZE: 1/2" SQ x 6 1/2" PIVOT, LOAD & FULCRUM	<b>54105</b>	\$30.00	
10873	SIZE: 1/2" SQ x 6" FOR OTHER BRANDS OF SCALES	<b>N/A</b>	\$30.00	
10699	EQUIV. FAIRBANKS NO. 40-334-600 EQUIV. FAIRBANKS NO. 90341 WITH PIN SIZE: 1" x 1" x 6 1/2" 3 HOLES 1/4" DIA BEARING, LOAD & FULCRUM	<b>54807</b>	\$47.00	
10900	EQUIV. FAIRBANKS NO. 90357 SIZE: 1" x 1" x 10" ROLL PIN PN 15265	<b>N/A</b>	\$72.00	
10963	EQUIV. FAIRBANKS NO. 40-008-600 SIZE: 1/2" x 1 1/8" x 2 5/8" PIVOT, TIP	<b>N/A</b>	\$28.00	
F787	EQUIV. FAIRBANKS NO. 45-015-600 SIZE: 2" x 1 5/8" x 6" BEARING, MAIN LEVER TIP	<b>54110</b>	\$57.00	
F788	EQUIV. FAIRBANKS NO. 45-014-600 SIZE: 3" x 1 5/8" x 6" LOAD, TORQUE TUBE	<b>54109</b>	\$55.00	
F782L	EQUIV. FAIRBANKS NO. 45-012-600 SIZE: 3/4" x 5" x 13 1/2" INSIDE LENGTH: 9" LINK, STEEL NEWER SCALES USED CAST LINK, F478DL	<b>54106</b>	\$86.00	
F783	EQUIV. FAIRBANKS NO. 45-013-600 SIZE: 5 3/8" x 3 1/4" x 5" HOLE SIZE: 1/4" DIA SADDLE BLOCK, STEEL NEWER SCALE USED CAST SADDLE F747	<b>54107</b>	\$179.00	
F776	EQUIV. FAIRBANKS NO. 40-032-600 SIZE: 2 3/8" DIA x 9" TRUNNION, STEEL FIT GIRDER CHAIR 49992 NEW SCALE USED CAST TRUNNION F746 NEW STYLE USES CHAIR 50319	<b>54149</b>	\$140.00	

**FAIRBANKS**



# Individual Fairbanks Scale Parts

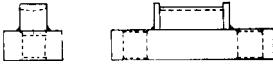
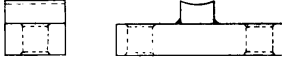
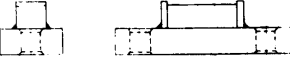

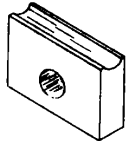
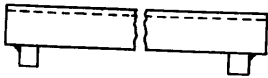

Portable Contractor

RL PART #	DESCRIPTION	FB NEW #	SUGG. LIST	
F721L	EQUIV. FAIRBANKS NO. 1528 SIZE: 3/4" x 4" x 11 3/4" LINK, 8 1/4" ID USED IN MODEL 4535	<b>55754</b>	\$86.00	
F727L	EQUIV. FAIRBANKS NO. 1516 SIZE: 3/4" x 5" x 12 3/4" 8 1/2" INSIDE	<b>55749</b>	\$86.00	
F722	EQUIV. FAIRBANKS NO. 2496 SIZE: 3 1/2" BETWEEN GROOVES CENTER TO CENTER SADDLE BLOCK		\$195.00	
F724	EQUIV. FAIRBANKS NO. 1817 SIZE: 4" BETWEEN GROOVES CENTER TO CENTER SADDLE BLOCK USED IN MODEL 4535	<b>55778</b>	\$195.00	
F723	EQUIV. FAIRBANKS NO. 1527 SIZE: 3 1/2" BETWEEN GROOVES CENTER TO CENTER 2" DIA x 7 7/16" OVERALL HOLE FOR 3/8" PIN, ONE END TRUNNION BLOCK	<b>55753</b>	\$141.00	
F725	EQUIV. FAIRBANKS NO. 1517 SIZE: 4" BETWEEN GROOVES- CENTER TO CENTER 2" DIA x 8" OVERALL HOLE FOR 3/8" PIN, ONE END TRUNNION BLOCK USED IN MODEL 4535	<b>55750</b>	\$141.00	
F478DL	EQUIV. FAIRBANKS NO. RD-135, 87243 SIZE: 8 1/2" INSIDE LENGTH USED IN MODELS WITH CAST SUSPENSION	<b>60396</b>	\$128.00	
F746	EQUIV. FAIRBANKS NO. 85412, 87230, 8 LB SIZE: 1 7/8" x 4 1/4" x 7 1/4" TRUNNION BLOCK	<b>60382</b>	\$165.00	
F747	EQUIV. FAIRBANKS NO. 85414, 87222, 9 LB SIZE: 5 1/4" x 3 5/8" x 5" USE BEARING F459 SADDLE BLOCK	<b>60375</b>	\$190.00	
F749	EQUIV. FAIRBANKS NO. 85413, 87223, 7 1/2 LB SIZE: 5 1/4" x 3 5/8" x 3 1/2" USE BEARING F781 SADDLE BLOCK	<b>N/A</b>	\$190.00	

FAIRBANKS

# Individual Fairbanks Scale Parts

Portable Contractor (Cont.)

RL PART #	DESCRIPTION	FB NEW #	SUGG. LIST
F460	EQUIV. FAIRBANKS NO. 1819 BEARING: 1" x 3/4" x 2 1/16" BLOCK: 2" x 1" x 5 1/4" - 3/4" HOLES 3 11/16" BETWEEN CENTERS ML TIP BEARING AND STRAP	<b>94418</b>	\$46.00 
F461	EQUIV. FAIRBANKS NO. 1612 BEARING: 1" x 3/4" x 2 1/16" BLOCK: 2" x 1" x 5 1/4" - 3/4" HOLES 3 11/16" BETWEEN CENTER TL LOAD BEARING AND STRAP	<b>55764</b>	\$44.00 
F463	EQUIV. FAIRBANKS NO. 2195 BEARINGS: 1" x 3/4" X 2 1/16" BLOCK: 3/4" x 2" x 5 1/4" - 17/32" HOLES 3 11/16" BETWEEN CENTERS TL TIP BEARING AND STRAP	<b>N/A</b>	\$45.00 
F464	EQUIV. FAIRBANKS NO. 2117 BEARING: 1" x 3/4" x 3" BLOCK: 3/4" x 2" x 5 1/4" - 17/32" HOLES 3 11/16" BETWEEN CENTERS SL TIP, LOAD AND FULCRUM BEARING	<b>N/A</b>	\$46.00 
F726	EQUIV. FAIRBANKS NO. N/A SIZE: 1" x 2" x 3" HOLE SIZE: 5/8" BEARING USED IN MODEL 4535	<b>N/A</b>	\$51.00 
F459	EQUIV. FAIRBANKS NO. 1514 BEARING: 1" x 3/4" x 6 7/16" 5 1/16" BETWEEN BEARING FEET ML LOAD AND FULCRUM BEARING	<b>55748</b>	\$42.00
F462	EQUIV. FAIRBANKS NO. 1736 BEARING: 1" x 3/4" x 6" 4 1/16" BETWEEN BEARING FEET TL FULCRUM STAND BEARING	<b>55772</b>	\$41.00 
F468	EQUIV. FAIRBANKS NO. N/A BEARING: 1" x 3/4" x 5" 3 13/16" BETWEEN BEARING FEET	<b>N/A</b>	\$40.00 
F781	EQUIV. FAIRBANKS NO. N/A BEARING: 1" x 3/4" x 5" 3 9/16" BETWEEN BEARING FEET	<b>N/A</b>	\$40.00
F714	EQUIV. FAIRBANKS NO. N/A BEARING: 1" x 3/4" x 10" 8 1/8" BETWEEN BEARING FEET	<b>60526</b>	\$72.00
F789	EQUIV. FAIRBANKS NO. 87390 BEARING: 1" x 3/4" x 10 1/8"	<b>N/A</b>	\$74.00
F785	EQUIV. FAIRBANKS NO. N/A BEARING: 1" x 3/4" x 12 1/2"	<b>N/A</b>	\$93.00
F1711RR	EQUIV. FAIRBANKS NO. N/A BEARING: 1" x 3/4" x 12 1/2" 11 1/16" BETWEEN BEARING FEET	<b>N/A</b>	\$167.00

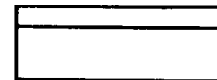
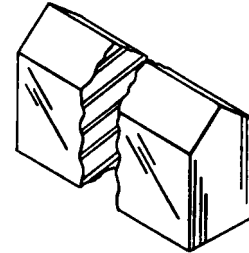
*These bearings vary in length. Measure the length and distance between the feet. If the size you need is not listed, we will make it at no additional cost.*

**FAIRBANKS**

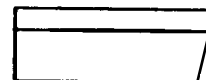
# Individual Fairbanks Scale Parts

## Motor Truck and Contractor Scale Parts

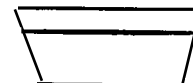
RL PART #	DESCRIPTION	FB NEW #	SUGG. LIST
F407P	EQUIV. FAIRBANKS NO. SD253 SIZE: 1/2" x 1" x 1" TAPERED ON BOTH ENDS B, PIVOT	<b>54710</b>	\$13.00
F411P	EQUIV. FAIRBANKS NO. SH253 SIZE: 1/2" x 1" x 1 1/2" TAPERED ON ONE END, PIVOT	<b>54711</b>	\$15.00
F531P	EQUIV. FAIRBANKS NO. SE255A SIZE: 1/2" x 1" x 1 1/2" TAPERED ON BOTH ENDS A, PIVOT	<b>54718</b>	\$17.00
F532P	EQUIV. FAIRBANKS NO. SE255 SIZE: 1/2" x 1" x 1 1/2" TAPERED ON BOTH ENDS B, PIVOT	<b>54715</b>	\$17.00
F408P	EQUIV. FAIRBANKS NO. SG255 SIZE: 1/2" x 1" x 2" TAPERED ON BOTH ENDS B, PIVOT	<b>54716</b>	\$18.00
F457P	EQUIV. FAIRBANKS NO. 1463A1, SG255A SIZE: 1/2" x 1" x 2" TAPERED ON BOTH ENDS A, PIVOT	<b>54719</b>	\$19.00
F412P	EQUIV. FAIRBANKS NO. SD255A SIZE: 1/2" x 1" x 2 1/2" TAPERED ON ONE END, PIVOT	<b>54717</b>	\$20.00
F458P	EQUIV. FAIRBANKS NO. 1382A2, WR281, 1463-2 SIZE: 1/2" x 1" x 3" TAPERED ON BOTH ENDS A, PIVOT	<b>54736</b>	\$22.00
F409P	EQUIV. FAIRBANKS NO. SD255C SIZE: 1/2" x 1" x 3 1/4" TAPERED ON ONE END, PIVOT	<b>54721</b>	\$23.00
F420P	EQUIV. FAIRBANKS NO. SH255A SIZE: 1/2" x 1" x 3 7/8" TAPERED ON ONE END, PIVOT	<b>54720</b>	\$25.00
F465P	EQUIV. FAIRBANKS NO. FG313 STAINLESS STEEL SIZE: 1/2" x 1" x 4" TAPERED ON BOTH ENDS A, PIVOT	<b>54789</b>	\$27.00
F466P	EQUIV. FAIRBANKS NO. 1463-5 SIZE: 1/2" x 1" x 5" TAPERED ON BOTH ENDS A, PIVOT	<b>N/A</b>	\$28.00



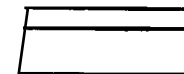
Square Both Ends



Tapered One End



Tapered Both Ends A



Tapered Both Ends B  
Same Direction

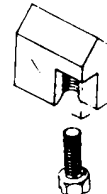
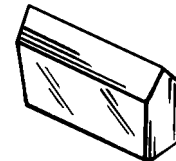
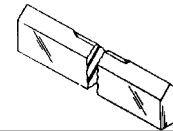
FAIRBANKS

# Individual Fairbanks Scale Parts

Motor Truck & Contractor Scale Parts (Cont.)

RL PART #	DESCRIPTION	FB NEW #	SUGG. LIST
F410P	EQUIV. FAIRBANKS NO. SD139A SIZE: 1/2" x 1" x 5 1/4" TAPERED ON BOTH ENDS A, PIVOT	<b>54465</b>	\$23.00
F454P	EQUIV. FAIRBANKS NO. 1382A6 SIZE: 1/2" x 1" x 6" SQUARE ON BOTH ENDS, PIVOT	<b>55684</b>	\$26.00
F413P	EQUIV. FAIRBANKS NO. SH139A SIZE: 1/2" x 1" x 6 1/2" TAPERED ON BOTH ENDS, A	<b>94138</b>	\$29.00
10800	EQUIV. FAIRBANKS NO. 1382A7 SIZE: 1/2" x 1" x 6 1/2" SQUARE ON BOTH ENDS	<b>55685</b>	\$29.00
F419P	EQUIV. FAIRBANKS NO. SH139 SIZE: 1/2" 1" x 7" TAPERED ON BOTH ENDS, A	<b>54464</b>	\$31.00
F712P	EQUIV. FAIRBANKS. NO. 1382-9, 87391 SIZE: 1/2" x 1" x 10" TAPERED ON BOTH ENDS, A	<b>60527</b>	\$62.00
F778P	EQUIV. FAIRBANKS NO. 1382-15 SIZE: 1/2" x 1" x 12 1/2" SQUARE ENDS		\$68.00
F423P	EQUIV. FAIRBANKS NO. 82498 SIZE: 1/2" x 1" x 5 1/4" TRANSVERSE LEVER FULCRUM PIVOT USED IN 4 & 5-SECTION SCALES, A	<b>59840</b>	\$26.00
F309P	EQUIV. FAIRBANKS NO. 82543A SIZE: 1/4" x 1/2" x 15/16" TAPERED ON BOTH ENDS, A	<b>96317</b> <b>59948</b>	\$17.00
F753PSS	EQUIV. FAIRBANKS NO. 84126, STAINLESS STEEL SIZE: 1/4" x 1/2" x 1" TAPERED BOTH ENDS, B	<b>59951</b>	\$27.00
F304P	EQUIV. FAIRBANKS NO. 82543 SIZE: 1/4" x 1/2" 1 1/8" STRAIGHT ENDS	<b>59846</b>	\$17.00
F323P	EQUIV. FAIRBANKS NO. 84310 SIZE: 1/4" x 1/2" x 1 1/2" TAPERED BOTH ENDS, B	<b>59982</b>	\$23.00

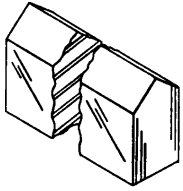
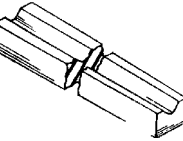
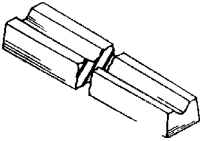
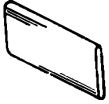
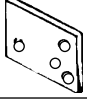
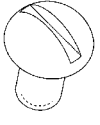
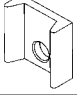
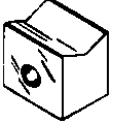
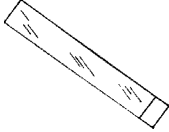
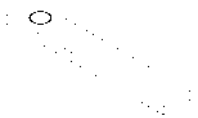
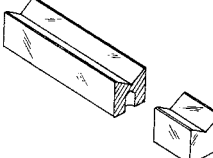
See Previous  
Page for Picture



FAIRBANKS

# Individual Fairbanks Scale Parts

Motor Truck & Contractor Scale Parts (Cont.)

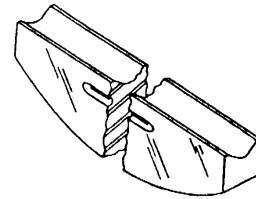
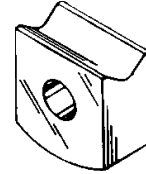
RL PART #	DESCRIPTION	FB NEW #	SUGG. LIST	
F554P	EQUIV. FAIRBANKS NO. WJ280A SIZE: 7/16" x 7/8" x 1" TAPERED ON BOTH ENDS	N/A	\$21.00	
F555P	EQUIV. FAIRBANKS NO. WJ281 SIZE: 7/16" x 7/8" x 3" TAPERED ON BOTH ENDS	N/A	\$26.00	
F422	EQUIV. FAIRBANKS NO. 82499 SIZE: 1" x 1/2" x 5 1/2" LONG TRANSVERSE LEVER TAPERED FULCRUM BEARING STEEL, ONLY USED IN 4 & 5 SECTION SCALES	59841	\$36.00	
F424	EQUIV. FAIRBANKS NO. TX152 SIZE: 1/8" x 3/4" x 1 9/16" LONG ANTI-FRICTION PLATE	54520	\$5.00	
F751	EQUIV. FAIRBANKS NO. 83364 SIZE: 1/8" x 1 3/8" x 1 1/2" ANTI-FRICTION PLATE	59851	\$7.00	
22005	SCREW, MACHINED SIZE: 1/4" - 20NC x 1/2" SLOTTED ROUND HEAD, STEEL ZINC PLATED	10941	\$0.35	
F474	EQUIV. FAIRBANKS NO. 86691, 86823 SIZE: 1/2" x 1 3/8" x 1 1/2" FRICTION PLATE, BOLT #14739	60286	\$8.00	
F406	EQUIV. FAIRBANKS NO. SD244A SIZE: 1/2" x 1" x 7/8" OFFSET HOLE SIZE: 1/4" BEAM BEARING	11414	\$23.00	
F763P	EQUIV. FAIRBANKS NO. 1-35398-1 SIZE: 1/2" x 1/2" x 2 7/8" PIVOT, BEAM	11427	\$24.00	
71821	EQUIV. FAIRBANKS NO. 1-35408-1 SIZE: 1/8" x 7/16" x 2 1/2" POISE SPRING	11439	\$38.00	
F761	EQUIV. FAIRBANKS NO. 86181 BEARING SIZE: 9/16" x 9/16" x 2 1/8"	N/A	\$33.00	

FAIRBANKS

# Individual Fairbanks Scale Parts

Motor Truck & Contractor Scale Parts (Cont.)

RL PART #	DESCRIPTION	FB NEW #	SUGG. LIST
F401	EQUIV. FAIRBANKS NO. SD183K SIZE: 1/2" x 1" x 1 1/16" HOLE SIZE: 3/8"	<b>54585</b>	\$13.00
F534	EQUIV. FAIRBANKS NO. 74057, SE183G SIZE: 1/2" x 1" x 1 9/16" HOLE SIZE: 3/8"	<b>59778</b>	\$19.00
F402	EQUIV. FAIRBANKS NO. SE183F SIZE: 1/2" x 1" x 1 9/16" BEARING	<b>54582</b>	\$20.00
F403	EQUIV. FAIRBANKS NO. SG183A SIZE: 1/2" x 1" x 2 1/16" BEARING	<b>54580</b>	\$22.00
F414	EQUIV. FAIRBANKS NO. SD183H SIZE: 1/2" x 1" x 2 9/16" BEARING	<b>54583</b>	\$24.00
F404	EQUIV. FAIRBANKS NO. SD183J SIZE: 1/2" x 1" x 3 5/16" BEARING	<b>54584</b>	\$26.00
F421	EQUIV. FAIRBANKS NO. SH183E SIZE: 1/2" x 1 1/4" x 3 7/8" BEARING	<b>54581</b>	\$28.00

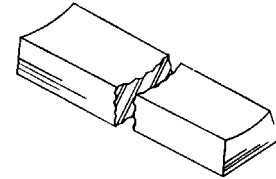


**FAIRBANKS**

# Individual Fairbanks Scale Parts

Motor Truck & Contractor Scale Parts (Cont.)

RL PART #	DESCRIPTION	FB NEW #	SUGG. LIST
F539	EQUIV. FAIRBANKS NO. 74335 SIZE: 1" x 1/2" x 5 1/4"	<b>96301</b>	\$39.00
F405	EQUIV. FAIRBANKS NO. SD194AMI SIZE: 1" x 1/2" x 5 1/2" BEARING, STEEL, TAPERED FULCRUM FOR BEARING BLOCK SD682MI	<b>54603</b>	\$36.00
F405N	EQUIV. FAIRBANKS NO. SD194AMI SAME AS F405 ONLY SLIGHTLY NARROWER/20 & 50 TON SIZE: 1" x 1/2" x 5 1/2" FOR BEARING BLOCK SDC682MI	<b>N/A</b>	\$36.00
F418	EQUIV. FAIRBANKS NO. N/A SIZE: 1" x 1/2" x 6 3/4"	<b>N/A</b>	\$46.00
F415	EQUIV. FAIRBANKS NO. 56936MI SIZE: 1" x 1/2" x 7 3/8" BEARING, STEEL, TAPERED	<b>58995</b>	\$46.00

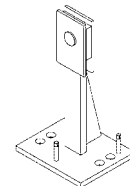
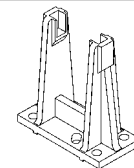
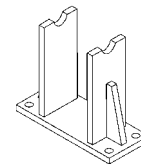
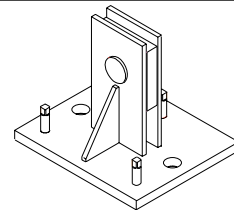


Made oversized, must be hand ground to fit width and length.

FAIRBANKS

## Motor Truck Scales, Holman Type Steel Pipe Lever

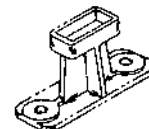
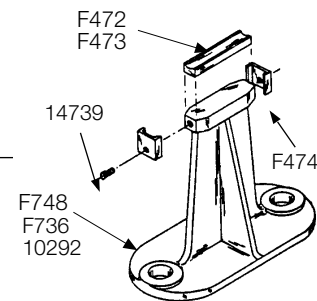
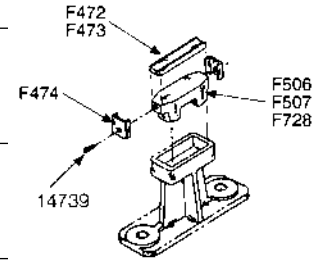
RL PART #	DESCRIPTION	FB NEW #	SUGG. LIST
49993	EQUIV. FAIRBANKS NO. 45-006-600 SIZE: 10" x 12" BASE, 10 1/8" TALL FULCRUM STAND, M.L.	<b>54071</b>	\$285.00
49992	EQUIV. FAIRBANKS NO. 45-017-600 SIZE: 6" x 14" BASE, 12 1/2" TALL GIRDER CHAIR, STEEL FITS TRUNNION F776	<b>54113</b>	\$275.00
50319	EQUIV. FAIRBANKS NO. 85411,87239 SIZE: 13 3/4" x 6" x 12" GIRDER CHAIR, CAST FITS TRUNNION F746	<b>60392</b>	\$345.00
99781	EQUIV. FAIRBANKS NO. 45-007-600 SIZE: 10" x 12" BASE 22 1/4" HIGH BOTTOM TO BEARING IS 21 1/2" STAND, TORQUE TUBE	<b>54072</b>	\$310.00



# Individual Fairbanks Scale Parts

Motor Truck & Contractor Scale Parts (Cont.)

RL PART #	DESCRIPTION	FB NEW #	SUGG. LIST
F471	EQUIV. FAIRBANKS NO. 86756, 1418-4 SIZE: 1" x 1/2" x 5" BEARING	<b>60267</b>	\$36.00
F472	EQUIV. FAIRBANKS NO. 86694 SIZE: 1" x 1/2" x 5 25/64" BEARING FOR F506, F507, F736, F748	<b>60247</b>	\$36.00
F557	EQUIV. FAIRBANKS NO. 86755 SAME AS F472 WITH V DOWN CENTER	<b>60266</b>	\$36.00
F473	EQUIV. FAIRBANKS NO. 86754 SIZE: 1" x 1/2" x 7" BEARING	<b>60265</b>	\$39.00
F474	EQUIV. FAIRBANKS NO. 86691, 86823 SIZE: 9/16" x 1 1/2" x 1 17/32" THRUST CAP	<b>60286</b>	\$8.00
F506	EQUIV. FAIRBANKS NO. 86797, 87255 SIZE: 1 3/4" x 5 13/32" BEARING BLOCK FOR STAND NO. SGC19 USE F472 BEARING, REPLACES SDC682MI	<b>60406</b>	\$39.00
F507	EQUIV. FAIRBANKS NO. 86822, 87256 SIZE: 2" x 5 13/32" BEARING BLOCK FOR SD19E STAND USE F472 BEARING, REPLACES SD682MI	<b>60407</b>	\$39.00
F728	EQUIV. FAIRBANKS NO. 86880, 87257 SIZE: 2 1/4" x 2" x 7" BEARING BLOCK FOR 40 TON PER SECTION	<b>60408</b>	\$54.00
F748	EQUIV. FAIRBANKS NO. 86739, 87245 - 20 LB REPLACES SGC19 SIZE: 5 1/4" x 12 3/4" x 9 1/2" 9" CENTER TO CENTER OF ANCHOR HOLES BEARING AND FRICTIONS ARE SUPPLIED W/STAND	<b>60398</b>	\$292.00
F736	EQUIV. FAIRBANKS NO. 87246, 86693- 29 1/2 LB REPLACES SD19E & SD19A SIZE: 6 1/2" x 14 3/4" x 11 3/8" BEARINGS & FRICTIONS ARE SUPPLIED W/STAND 11" CENTER TO CENTER OF ANCHOR HOLES	<b>60399</b>	\$320.00
10292	EQUIV. FAIRBANKS NO. 86764, 87247 - 47 LB REPLACES SH19B SIZE: 7 1/4" x 17" x 11 3/8" BEARING AND FRICTIONS ARE SUPPLIED W/STAND 13 1/2" CENTER TO CENTER OF ANCHOR HOLES	<b>60400</b>	\$348.00
70795	EQUIV. FAIRBANKS NO. 91152 REPLACES YSD19PV SIZE: 6" x 7 1/2" x 14 1/2" FOR NEWER PORTABLE TRUCK SCALES	<b>62026</b>	\$376.00



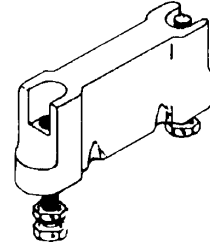
**FAIRBANKS**



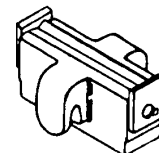
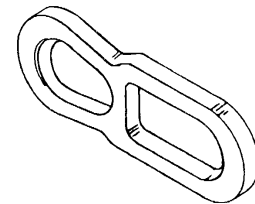
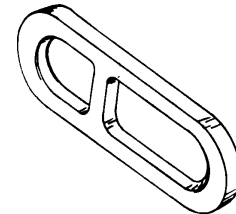
# Individual Fairbanks Scale Parts

## Motor Truck & Axle Load Suspension Parts

RL PART #	DESCRIPTION	FB NEW #	SUGG. LIST
F745	EQUIV. FAIRBANKS NO. 82108, 87229 - 4 LB SIZE: 1 1/2" x 2 1/4" x 5 3/4" USED IN BUILT-IN SCALES	<b>60381</b>	\$174.00
F560	EQUIV. FAIRBANKS NO. 80261, 87225 - 5 1/2 LB SIZE: 1 3/8" x 2 3/4" x 6 1/4" USED IN 10-TON SCALES	<b>60377</b>	\$212.00
F563	EQUIV. FAIRBANKS NO. 80264, 87226 - 7 LB 14 OZ SIZE: 1 5/8" x 3 3/8" x 6 5/8" USED IN 15-TON SCALES	<b>60378</b>	\$215.00
F505	EQUIV. FAIRBANKS NO. 87227, 80267 - 9 1/2 LB SIZE: 13/4" x 3 3/8" x 7" USED IN 20, 26, & 50-TON SCALES	<b>60379</b>	\$218.00
F513	EQUIV. FAIRBANKS NO. 87228, 80270 - 13 3/4 LB SIZE: 1 7/8" x 4 1/4" x 7 5/8" USED IN 30 & 60-TON SCALES & LARGER	<b>60380</b>	\$248.00
F475AL	EQUIV. FAIRBANKS NO. RA135 EQUIV. FAIRBANKS NEW NO. 87240 SIZE: 6" INSIDE LENGTH USED IN: BUILT-IN, LIVESTOCK & MOTOR TRUCK	<b>60393</b>	\$99.00
F477CL	EQUIV. FAIRBANKS NO. RC135 EQUIV. FAIRBANKS NEW NO. 87242 SIZE: 6 7/8" INSIDE LENGTH USED IN: 50-TON, 4 & 5-SECTION 20-TON MOTOR TRUCK SCALES & AXLE LOAD	<b>60395</b>	\$99.00
F478DL	EQUIV. FAIRBANKS NO. RD135 EQUIV. FAIRBANKS NEW NO. 87243 SIZE: 8 1/2" INSIDE LENGTH USED IN: 30-TON & 60-TON MOTOR TRUCK & DUMP SCALES	<b>60396</b>	\$128.00
F476BL	EQUIV. FAIRBANKS NO. RB135 EQUIV. FAIRBANKS NEW NO. 87241 7 7/8" INSIDE LENGTH USED IN: 10-TON MOTOR TRUCK SCALES MODELS: 12083, 12084, 12085, & 12086 15-TON MOTOR TRUCK SCALES MODELS: 12087, 12088, 12089, & 12090	<b>60394</b>	\$99.00
131389	EQUIV. FAIRBANKS NO. 87465, 87221 84135, 70329, 82107 SIZE: 1 3/8" x 1 15/16" x 4 1/16" -F538 BEARING INSERT INCLUDED	<b>60374</b>	\$155.00



Trunnion Block

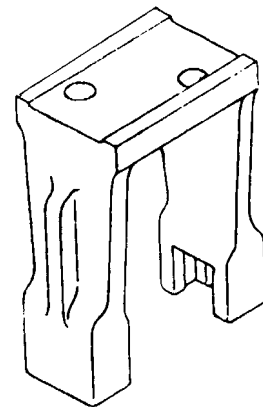
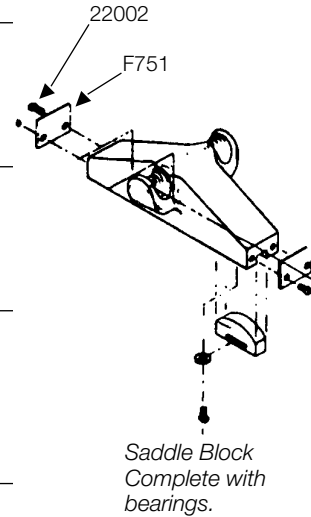


FAIRBANKS

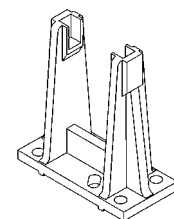
# Individual Fairbanks Scale Parts

Motor Truck & Axle Load Suspension Parts (Cont.)

RL PART #	DESCRIPTION	FB NEW #	SUGG. LIST
F559	EQUIV. FAIRBANKS NO. RA191, 87215 - 4 1/4 LB SIZE: 6 1/8" BETWEEN FRICTION PLATES USED IN 10-TON SCALES USE F407P PIVOT W/BEARING F401 - 1 1/16"	<b>60368</b>	\$190.00
F562	EQUIV. FAIRBANKS NO. RB191, 87216 - 7 LB SIZE: 6 13/16" BETWEEN FRICTION PLATES USED IN 15-TON SCALES USE F411P PIVOT W/BEARING F402 - 1 9/16"	<b>60369</b>	\$224.00
F504	EQUIV. FAIRBANKS NO. RC191, 87217 - 7 1/2 LB SIZE: 8 3/8" BETWEEN FRICTION PLATES USED IN 20-TON & 50-TON SCALES USE F408P PIVOT W/BEARING F403 - 2 1/16"	<b>60370</b>	\$224.00
F508	EQUIV. FAIRBANKS NO. RC191A, 87931 - 9 LB MM5387, 87218 SIZE: 9 7/8" BETWEEN FRICTION PLATES USED IN 26-TON & 50-TON (26 TON PER SECTION) USE F412P PIVOT W/BEARING F414 - 2 9/16"	<b>60371</b>	\$245.00
F514	EQUIV. FAIRBANKS NO. RD191, 87219 - 12 1/4 LB SIZE: 11 1/2" BETWEEN FRICTION PLATES USED IN 30-TON & 60-TON SCALES USE F409P PIVOT W/BEARING F404 - 3 5/16"	<b>60372</b>	\$255.00
F564	EQUIV. FAIRBANKS NO. 80253, 87220 - 14 LB SIZE: 12 5/8" BETWEEN FRICTION PLATES USED IN 40-TON & 75-TON SCALES USE F420 PIVOT W/BEARING F421 - 3 7/8"	<b>60373</b>	\$275.00
F558	EQUIV. FAIRBANKS NO. 80260, 87233 - 14 1/2 LB SIZE: 9 1/8" x 4 1/2" x 5 5/8" BASE USED IN 10-TON SCALES	<b>60384</b>	\$202.00
F561	EQUIV. FAIRBANKS NO. 80263, 87234 - 19 LB SIZE: 11 1/2" x 4 1/2" x 5 5/8" USED IN 15-TON SCALE	<b>60385</b>	\$233.00
F503	EQUIV. FAIRBANKS NO. 80266, 87235 - 26 1/2 LB SIZE: 10 3/4" x 4 1/2" x 6 3/4" USED IN 20, 26, & 50-TON SCALES	<b>60386</b>	\$240.00
F515	EQUIV. FAIRBANKS NO. 80269, 87236 - 43 1/2 LB SIZE: 12" x 6" x 7 3/4" USED IN 30-TON & 60-TON SCALES	<b>60387</b>	\$320.00
F713	EQUIV. FAIRBANKS NO. 80811, 87237 - 42 1/2 LB SIZE: 14 3/8" x 6" x 7 3/4" USED IN 75-TON & 50-TON AXLE LOAD	<b>60389</b>	\$340.00
50319	EQUIV. FAIRBANKS NO. 85411, 87239 SIZE: 13 3/4 x 6 x 12 USED IN PIPE LEVER SCALES	<b>60392</b>	\$345.00



Girder Chair

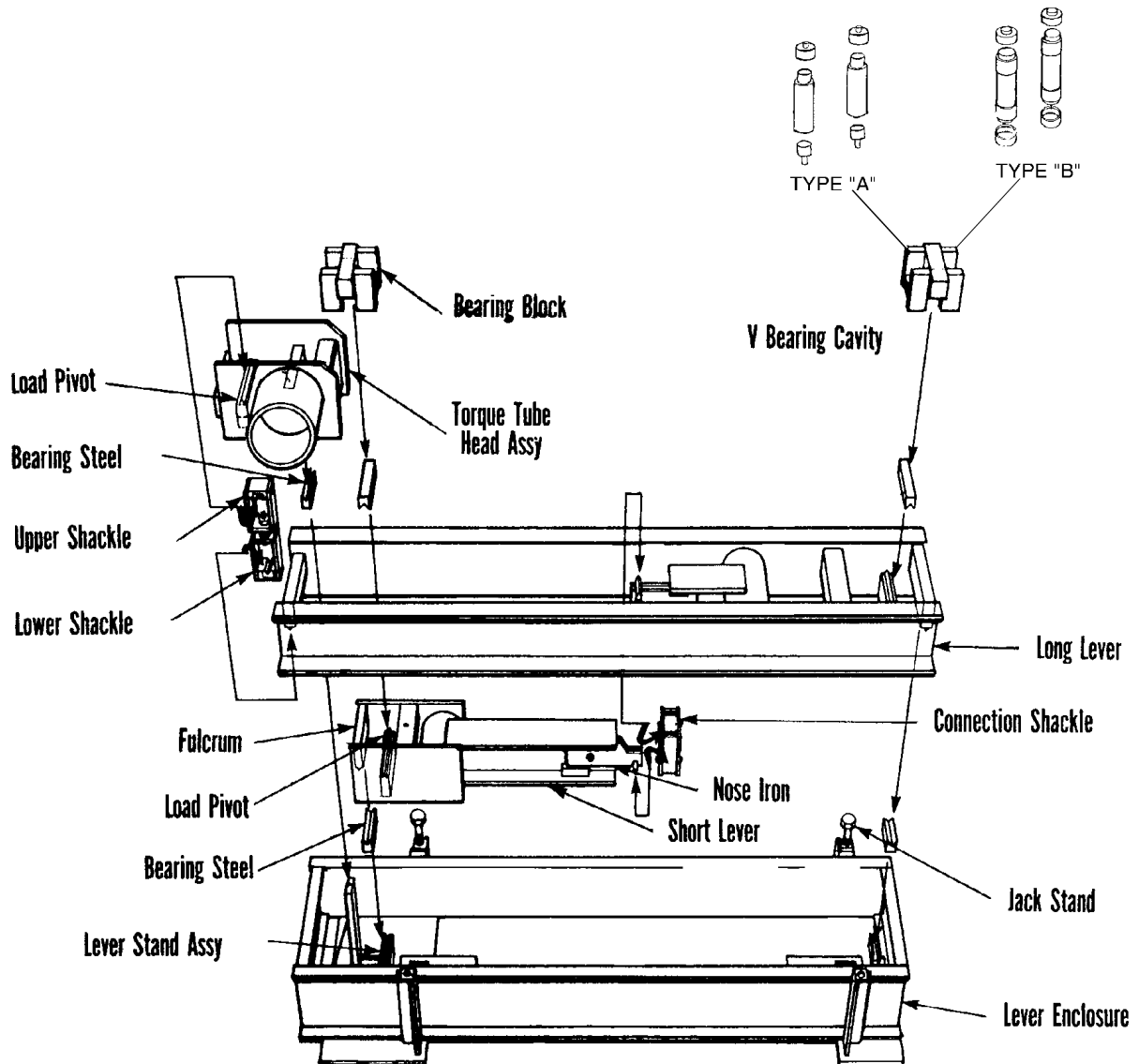


**FAIRBANKS**

# Fairbanks Reference Sheet


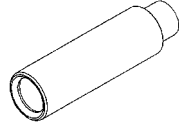
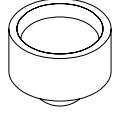
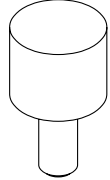
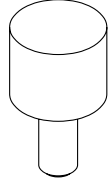
Modular PV Truck Scale

FAIRBANKS



# Individual Fairbanks Scale Parts

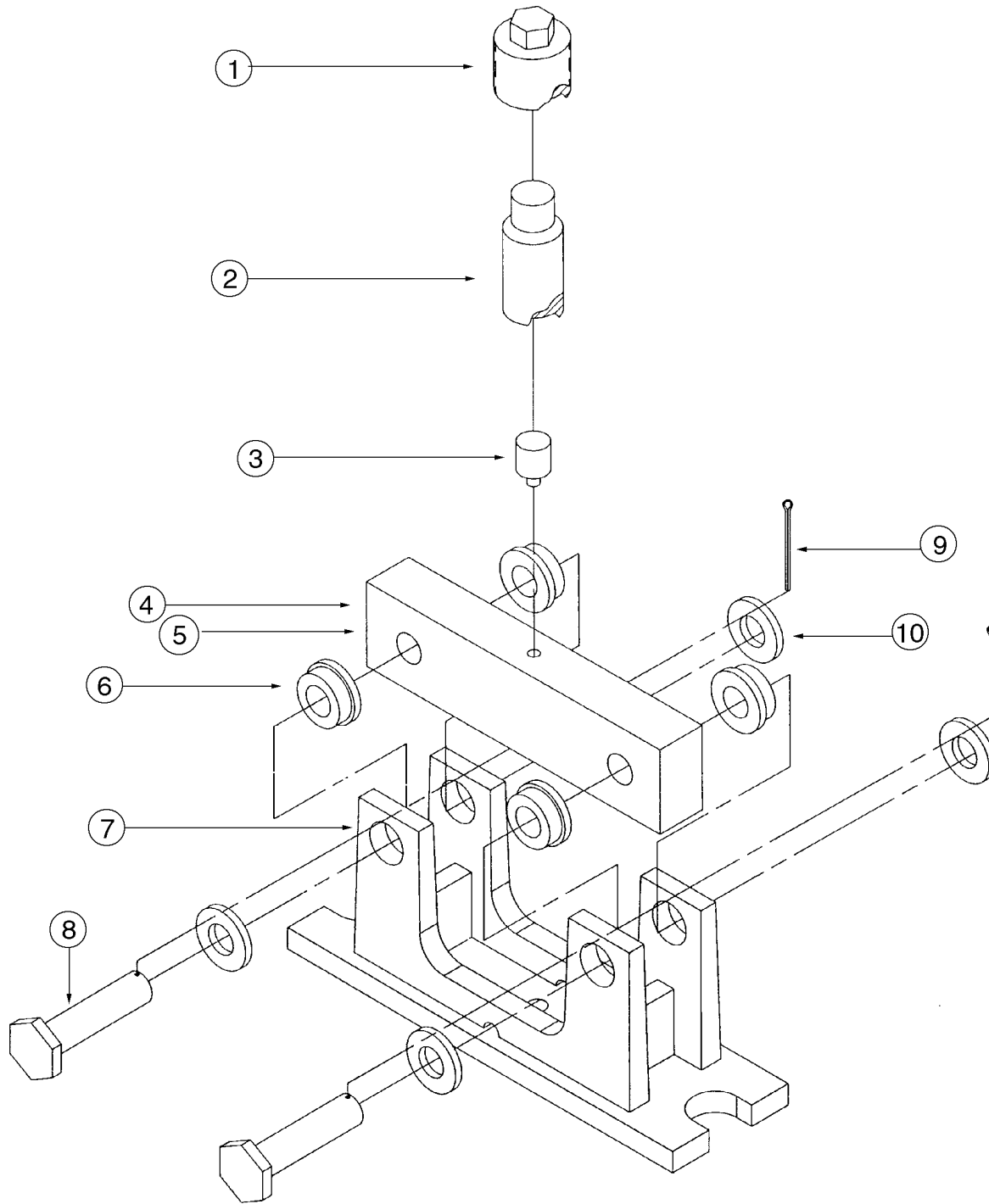
## Modular PV Truck Scale Parts

RL PART #	DESCRIPTION	FB NEW #	SUGG. LIST	
22267	EQUIV. FAIRBANKS NO. 90329 SIZE: 2" DIA x 6 1/4" LOAD PIN, NEW STYLE FOR TYPE B	N/A	\$138.00	
10960	EQUIV. FAIRBANKS NO. 90284 SIZE: 1 3/4" DIA. x 6 1/2" LOAD PIN, STRAIGHT PIN, OLD STYLE FOR TYPE A	N/A	\$138.00	
10786	EQUIV. FAIRBANKS NO. 90240 SIZE: 2" DIA x 1 1/2" LOAD PIN CUP, NEW STYLE FOR TYPE B	61532	\$75.00	
10961	EQUIV. FAIRBANKS NO. 90280 SIZE: 1 1/4" DIA x 2 5/16" LOAD PIN, OLD STYLE, LOWER FOR TYPE A	N/A	\$75.00	
10962	EQUIV. FAIRBANKS NO. 90282 SIZE: 1 3/4" DIA x 1 1/2" LOAD PIN CUP, UPPER, OLD STYLE FOR TYPE A	N/A	\$75.00	

**FAIRBANKS**

# Fairbanks Reference Sheet

FAIRBANKS



# Individual Fairbanks Scale Parts

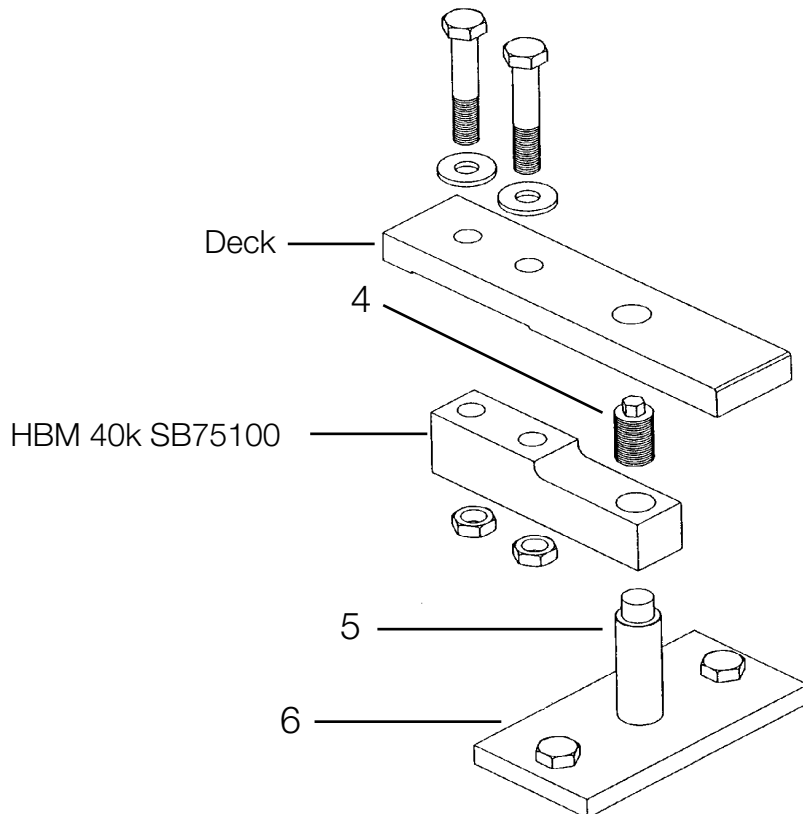
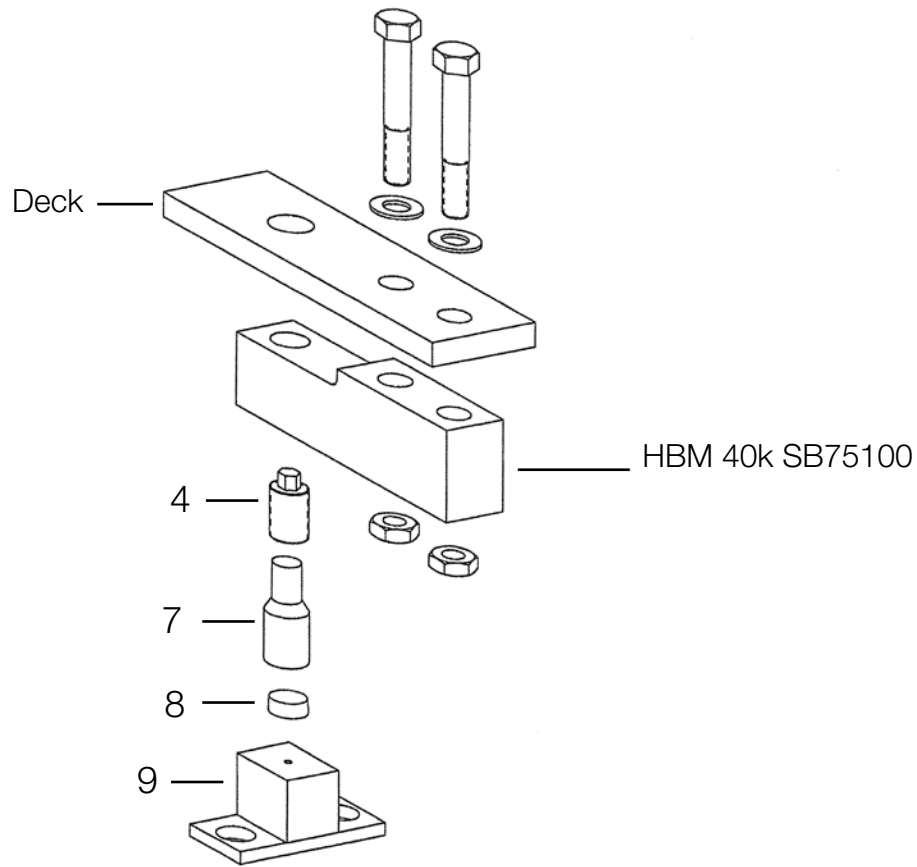
## Fairbanks Rodan Truck Scale

REF	QTY	RL PART #	EQUIV. FAIRBANKS #	FB NEW #	DESCRIPTION	SUGG. LIST
1	1	44837	90841	<b>61713</b>	BEARING SCREW, 2-12 NF x 2 3/8"	\$99.00
2	1	50807	90863	<b>61729</b>	LOAD PIN, 1 3/4" DIA. x 4 1/16"	\$69.00
3	1	25524	A90868	<b>61733</b>	LOAD BUTTON ASSEMBLY, 1 1/4" DIA. x 3/4"	\$37.00
4	1	47850	90814-60	<b>61704</b>	LOAD CELL 40K	\$1,195.00
5	1	67387	91088-60	<b>96435</b>	LOAD CELL 50K	\$1,330.00
6	4	50748	90966	<b>61833</b>	BUSHING, 1 1/2" DIA. x 7/8"	\$29.00
7	1	50767	A90860	<b>61727</b>	STAND, LOAD CELL, 4 5/8" x 15 5/8" x 6 1/4"	\$245.00
8	2	50747	90900	<b>61770</b>	PIN, SUPPORT, 3/4" DIA. x 4 1/2"	\$26.00
9	2	15244	N/A	<b>N/A</b>	PIN, COTTER, 5/32" x 1"	\$1.50
10	4	15180	N/A	<b>N/A</b>	WASHER, 13/16" ID x 1 5/8" OD	\$2.30

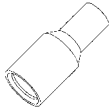
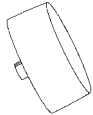
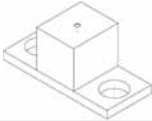
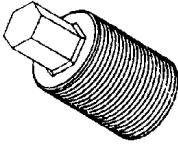
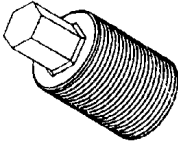
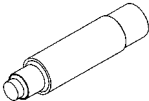
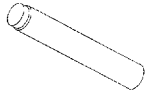
**FAIRBANKS**

# Fairbanks Reference Sheet

FAIRBANKS



# Individual Fairbanks Scale Parts

REF	RL PART #	DESCRIPTION	FB NEW #	SUGG. LIST	
7	105129	EQUIV. FAIRBANKS NO.91073 SIZE: 1.718" DIAMETER x 4" LOAD PIN		\$104.00	
8	25524	EQUIV. FAIRBANKS NO. 90868 SIZE: 1/4" DIA x 3/4" LOAD BUTTON ASSY	<b>61733</b>	\$37.00	
9	105128	EQUIV. FAIRBANKS NO. 61962 SIZE: 3" x 3 1/2" x 7" LOAD STAND		\$193.00	
4	10855	EQUIV. FAIRBANKS NO. 90219 SIZE: 1 1/2" DIAMETER x 3" SCREW, ADJUSTING, OLD STYLE	<b>96397</b>	\$103.00	
4	44836	EQUIV. FAIRBANKS NO. 90671 SIZE: 1 1/2" DIAMETER x 2 5/8" SCREW, ADJUSTING, NEW STYLE	<b>61657</b>	\$103.00	
5	*10845	EQUIV. FAIRBANKS NO. 90230 SIZE: 1 3/4" DIAMETER x 7 3/4" PIN, LOAD, OLD STYLE	<b>61525</b>	\$102.00	
5	XX	EQUIV. FAIRBANKS NO. 90660 SIZE: 1 1/4" DIAMETER x 7 11/16" PIN, LOAD, NEW STYLE	<b>61651</b>	\$102.00	
6	XX	EQUIV. FAIRBANKS NO. 90232 SIZE: 3/16" x 2 1/2" x 7 1/2" CENTER HOLE : 1 11/16" DIAMETER PLATE ASSEMBLY, LOWER, OLD STYLE	<b>96398</b>	XX	
6	XX	EQUIV. FAIRBANKS NO. 90672 SIZE: 3/16" x 2 1/2" x 7 1/2" CENTER HOLE: 1 1/4" DIAMETER PLATE ASSEMBLY, LOWER, NEW STYLE	<b>61658</b>	XX	

\*Item obsolete or discontinued. When remaining stock is depleted, published prices are withdrawn and the item is subject to a special order quote.

XX Call for Details

**FAIRBANKS**

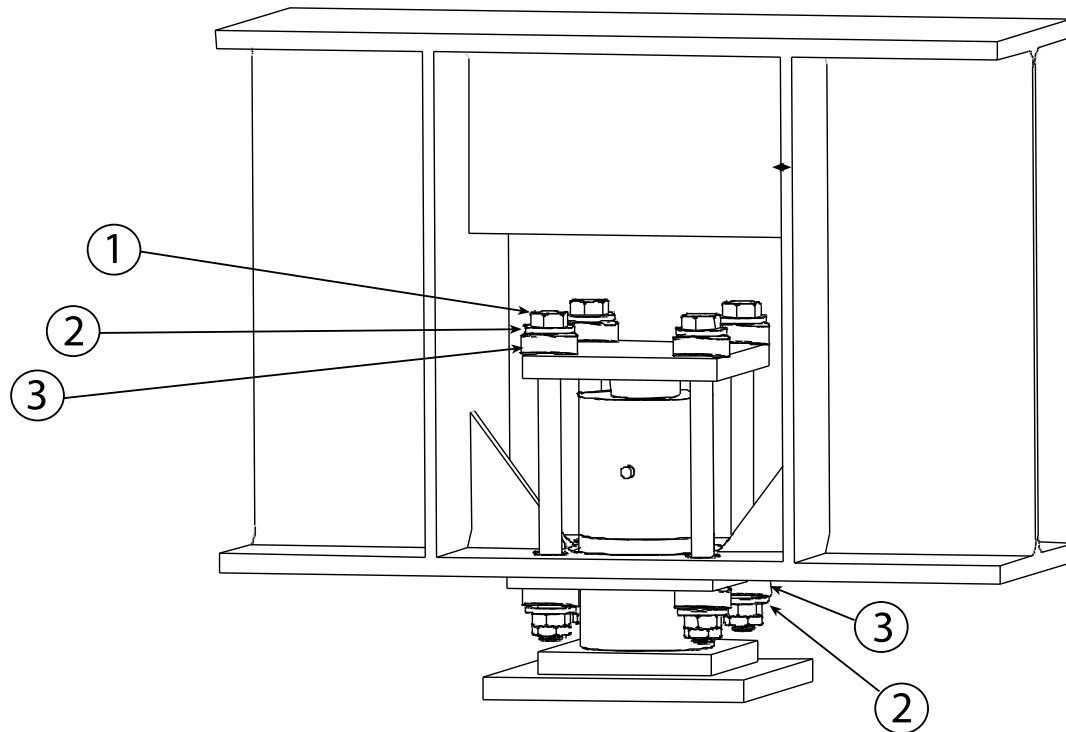


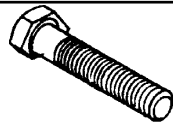


# Fairbanks Reference Sheet

## MODELS

12-3360	12-3371
12-3361	12-3380
12-3370	12-3381

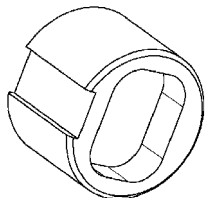
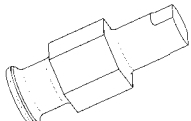
**FAIRBANKS**



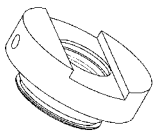
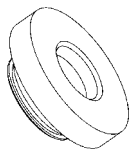
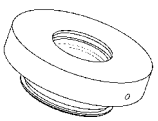
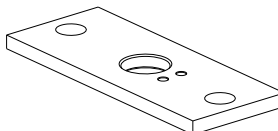
REF	RL PART #	DESCRIPTION	FB NEW #	SUGG. LIST	
1	50826	EQUIV. FAIRBANKS NO.144HS SIZE: 7/8" - 9NC X 15 BOLT, WITH NUT	<b>54494</b>	\$58.00	
2	50764	EQUIV. FAIRBANKS NO. 1-39548-1 SIZE: 2 1/4" OD x 7/8" ID WASHER, SP	<b>11621</b>	\$48.00	
3	50763	EQUIV. FAIRBANKS NO. 1-40791-1 SIZE: 2 1/2" OD X 1 1/4" TALL WASHER, ROCKER	<b>11898</b>	\$59.00	

# Individual Fairbanks Scale Parts

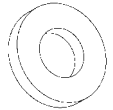
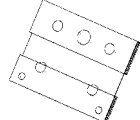
## Full Electronic Rail Road Track Scale Parts

RL PART #	DESCRIPTION	FB NEW #	SUGG. LIST	
F590	EQUIV. FAIRBANKS NO. 90191 SIZE: 2" - 12 UNF 2B x 1 1/2" BEARING UPPER	<b>61483</b>	\$210.00	
F590-1	EQUIV. FAIRBANKS NO. 90191 SIZE: 2" 12 UNF - 2A x 2" BEARING UPPER	<b>N/A</b>	\$210.00	
*F591	EQUIV. FAIRBANKS NO. 90240 SIZE: 2" HEX x 5 9/16" LOAD PIN	<b>61482</b>	\$205.00	

## Rocker Column Truck Scale Parts

RL PART #	DESCRIPTION	FB NEW #	SUGG. LIST	
109331	EQUIV. FAIRBANKS NO. 70511 SIZE: 3 3/4" DIA x 1 5/8" RECEIVER CUP, LOWER FOR RC3 LCF HR4020-2A LC	<b>70511</b>	\$135.00	
109228	EQUIV. FAIRBANKS NO. 90191 SIZE: 3 3/4" DIA x 1 3/8" RECEIVER CUP/ UPPER AND LOWER FLINTEC & SENSORTRONIC L.C.	<b>66980</b>	\$147.00	
109332	EQUIV. FAIRBANKS NO. 70512 SIZE: 3 3/4" DIA x 1 3/8" RECEIVER CUP, UPPER FOR RC3 LCF HR 4020-2A LC	<b>70512</b>	\$135.00	
110632	EQUIV. FAIRBANKS NO. 64327 SIZE: 3/4" x 6" x 15" BASE PLATE WITH ROLL PIN PN 110817		\$128.00	

## Miscellaneous Floor Scale Parts

RL PART #	DESCRIPTION	FB NEW #	SUGG. LIST	
101852	EQUIV. FAIRBANKS NO. 2-44313-2 SIZE: 1 3/16" OD X 9/16" ID ROCKER WASHER	<b>12021</b>	\$36.00	
105625	EQUIV. FAIRBANKS NO. 3-55125-1 SIZE: FLEXURE .175 x 4 1/8" x 3 1/8" MODELS 21-2102-21-2104	<b>13029</b>	\$130.00	

\*Item obsolete or discontinued. When remaining stock is depleted, published prices are withdrawn and the item is subject to a special order quote.

**FAIRBANKS**

# Individual Fairbanks Scale Parts

## Railroad Track Scale Parts

RL PART #	DESCRIPTION	FB NEW #	SUGG. LIST
F1552RRP	EQUIV. FAIRBANKS NO. SQ139-U, 84874B PIVOT, SIZE: 3/4" x 1 1/2" x 6 1/4"	94147	\$148.00
F1553RRP	EQUIV. FAIRBANKS NO. SQ139-T, 84874AK PIVOT, SIZE: 3/4" x 1 1/2" x 11 1/2"	94146	\$206.00
F1554RRP	EQUIV. FAIRBANKS NO. SQ139-M, 84874S PIVOT, SIZE: 3/4" x 1 1/2" x 4"	94143	\$102.00
F1555RRP	EQUIV. FAIRBANKS NO. TU259-C, 84874H PIVOT, SIZE: 3/4" x 1 1/2" x 7 1/2"	94204	\$146.00
F1556RRP	EQUIV. FAIRBANKS NO. TU259-F, 84874Y PIVOT, SIZE: 3/4" x 1 1/2" x 9"	94205	\$169.00
F1557RRP	EQUIV. FAIRBANKS NO. SM234-D, 84874AH PIVOT, SIZE: 3/4" x 1 1/4" x 4"	94195	\$102.00
F1558RRP	EQUIV. FAIRBANKS NO. SM210-E PIVOT, SIZE: 3/4" x 1 1/2" x 1 1/4"	94188	\$52.00
F1559RRP	EQUIV. FAIRBANKS NO. SM139AN PIVOT, SIZE: 3/4" x 1 1/2" x 2"	94151	\$60.00
F1560RRP	EQUIV. FAIRBANKS NO. SM210-H, 84874P PIVOT, SIZE: 3/4" x 1 1/2" x 1 1/4"	94189	\$52.00
F1561RRP	EQUIV. FAIRBANKS NO. SQ139-N, 84874AG PIVOT, SIZE: 3/4" x 1 1/2" x 5 3/16"	94144	\$105.00
F1562RR	EQUIV. FAIRBANKS NO. 76990 BEARING, SIZE: 1 7/8" x 1 3/4" x 1 3/4"	96310	\$92.00
F1563RR	EQUIV. FAIRBANKS NO. SQ46-P, 84873B BEARING, SIZE: 3/4" x 3/4" x 6 3/8"	N/A	\$101.00
F1564RR	EQUIV. FAIRBANKS NO. S2LF138-C BEARING, SIZE: 1" x 3/4" x 4 1/8"	N/A	\$69.00
F1565RR	EQUIV. FAIRBANKS NO. SP46-H, 84873H BEARING, SIZE: 1" x 3/4" x 7 5/8"	94072	\$93.00
F1566RR	EQUIV. FAIRBANKS NO. SM46-T BEARING, SIZE: 1" x 13/16" x 4 1/8"	94077	\$68.00
F1567RR	EQUIV. FAIRBANKS NO. SM415-B BEARING, SIZE: 3/4" x 1" x 1 3/8"	94223	\$55.00
F1568RR	EQUIV. FAIRBANKS NO. SM414-A BEARING, SIZE: 1" x 1" x 2 1/16"	94222	\$72.00
F1569RR	EQUIV. FAIRBANKS NO. LX392-B BEARING, SIZE: 5/8" x 3/4" x 5 5/16"	94219	\$85.00
F1570RR	EQUIV. FAIRBANKS NO. SQ46-Q BEARING, SIZE: 3/4" x 1" x 11 5/8"	94076	\$163.00
F1571RR	EQUIV. FAIRBANKS NO. SQ138-A, TU194-B BEARING, SIZE: 3/4" x 1" x 9 1/8"	94136	\$152.00
F1572RR	EQUIV. FAIRBANKS NO. SQ278-A BEARING, SIZE: 1" x 3/4" x 9 1/8"	N/A	\$152.00

**FAIRBANKS**

# Individual Fairbanks Scale Parts

## Railroad Track Scale Parts

RL PART #	DESCRIPTION	FB NEW #	SUGG. LIST
F1573RRP	EQUIV. FAIRBANKS NO. SM249-B PIVOT, SIZE: 3/4" x 1 1/2" x 12"	94201	\$195.00
F1574RRP	EQUIV. FAIRBANKS NO. SM139-Z PIVOT, SIZE: 3/4" x 1 1/2" x 2"	94150	\$62.00
F1575RRP	EQUIV. FAIRBANKS NO. SP248-A PIVOT, SIZE: 1" x 2" x 9 1/2"	94199	\$197.00
F1576RRP	EQUIV. FAIRBANKS NO. SP139-G PIVOT, SIZE: 1" x 2" x 4 1/2"	94139	\$123.00
F1577RRP	EQUIV. FAIRBANKS NO. SP139-J PIVOT, SIZE: 1" x 2" x 11 1/2"	94141	\$248.00
F1578RRP	EQUIV. FAIRBANKS NO. SP139-H, SP139L PIVOT, SIZE: 1" x 2" x 7 1/2"	94140	\$185.00
F1579RR	EQUIV. FAIRBANKS NO. SM278-B BEARING, SIZE: 1" x 3/4" x 12 1/8"	N/A	\$198.00
F1581RR	EQUIV. FAIRBANKS NO. SP407-A BEARING, SIZE: 1" x 2 5/8" x 4 5/8"	N/A	\$218.00
F1582RR	EQUIV. FAIRBANKS NO. SP46-F BEARING, SIZE: 1 1/4" x 1 1/4" x 9 5/8"	94071	\$210.00
F1583RR	EQUIV. FAIRBANKS NO. SP46-J BEARING, SIZE: 1 1/4" x 1 1/4" x 11 5/8"	94073	\$216.00
F1584RRP	EQUIV. FAIRBANKS NO. TU259-H PIVOT, SIZE: 3/4" x 1 1/2" x 6 1/2"	94206	\$138.00
F1585RRP	EQUIV. FAIRBANKS NO. TU259-J PIVOT, SIZE: 3/4" x 1 1/2" x 8"	94207	\$162.00
F1586RRP	EQUIV. FAIRBANKS NO. TU259-G PIVOT, SIZE: 3/4" x 1 1/2" x 3 1/4"	N/A	\$96.00
F1587RR	EQUIV. FAIRBANKS NO. 77117 GIRDER BLOCK, SIZE: 1 7/8" x 1 3/4" x 2 1/4"	96311	\$168.00
F1600RR	EQUIV. FAIRBANKS NO. SM46-Y BEARING, SIZE: 1" x 3/4" x 10 1/8"	N/A	\$156.00
F1601RR	EQUIV. FAIRBANKS NO. S6N46-C BEARING, SIZE: 1" x 3/4" x 3 5/8"	94070	\$79.00
F1602RR	EQUIV. FAIRBANKS NO. S6N46-F BEARING, SIZE: 1" x 3/4" x 3 5/8"	N/A	\$79.00
F1603RR	EQUIV. FAIRBANKS NO. SX46 BEARING, SIZE: 1 1/4" x 1 1/4" x 17 1/8"	N/A	\$360.00
F1604RR	EQUIV. FAIRBANKS NO. SM46-AA BEARING, SIZE: 1 1/4" x 1 1/4" x 12 7/8"	94078	\$312.00
F1605RR	EQUIV. FAIRBANKS NO. TU46-C BEARING, SIZE: 3/4" x 3/4" x 4 5/8"	N/A	\$97.00
F1606RR	EQUIV. FAIRBANKS NO. TU46-D BEARING, SIZE: 1" x 3/4" x 6 5/8"	N/A	\$96.00

**FAIRBANKS**

# Individual Fairbanks Scale Parts

## Railroad Track Scale Parts

RL PART #	DESCRIPTION	FB NEW #	SUGG. LIST
F1607RR	EQUIV. FAIRBANKS NO. ST46-M BEARING, SIZE: 3/4" x 1" x 10 5/8"	<b>94074</b>	\$169.00
F1608RR	EQUIV. FAIRBANKS NO. ST46-N BEARING, SIZE: 3/4" x 3/4" x 5 1/8"	<b>94075</b>	\$85.00
F1609RR	EQUIV. FAIRBANKS NO. SM46-Z BEARING, SIZE: 1 1/4" x 1 1/4" x 16 1/8"	<b>N/A</b>	\$290.00
F1610RRP	EQUIV. FAIRBANKS NO. TU125-C PIVOT, SIZE: 3/4" x 1 1/2" x 4 1/2"	<b>N/A</b>	\$109.00
F1611RR	EQUIV. FAIRBANKS NO. SX138 BEARING, SIZE: 1 1/4" x 1 1/4" x 19 3/8"	<b>N/A</b>	\$344.00
*F1612RR	EQUIV. FAIRBANKS NO. TU138-B BEARING, SIZE: 3/4" x 1" x 8 1/8"	<b>94137</b>	\$156.00
F1613RRP	EQUIV. FAIRBANKS NO. SX139 PIVOT, SIZE: 1" x 2" x 12"	<b>N/A</b>	\$269.00
*F1614RRP	EQUIV. FAIRBANKS NO. TU139-B PIVOT, SIZE: 3/4" x 1 3/4" x 9 3/8"	<b>N/A</b>	\$189.00
F1615RRP	EQUIV. FAIRBANKS NO. SW139C PIVOT, SIZE: 3/4" x 1 1/2" x 3 1/2"	<b>N/A</b>	\$100.00
F1618RRP	EQUIV. FAIRBANKS NO. ST139-R PIVOT, SIZE: 3/4" x 1 1/2" x 5"	<b>94145</b>	\$116.00
F1619RRP	EQUIV. FAIRBANKS NO. ST139-T PIVOT, SIZE: 3/4" x 1 1/2" x 10 1/2"	<b>54467</b>	\$187.00
F1620RRP	EQUIV. FAIRBANKS NO. SM139-V PIVOT, SIZE: 1" x 2" x 10"	<b>N/A</b>	\$233.00
F1621RRP	EQUIV. FAIRBANKS NO. SM139-W PIVOT, SIZE: 1" x 2" x 16"	<b>N/A</b>	\$290.00
F1622RRP	EQUIV. FAIRBANKS NO. SM139-X PIVOT, SIZE: 1" x 2" x 5"	<b>94148</b>	\$103.00
F1623RRP	EQUIV. FAIRBANKS NO. SM139-Y PIVOT, SIZE: 1" x 2" x 10"	<b>94149</b>	\$232.00
F1624RR	EQUIV. FAIRBANKS NO. SX194 BEARING, SIZE: 1 1/4" x 1 1/4" x 12 1/8"	<b>N/A</b>	\$278.00
F1625RRP	EQUIV. FAIRBANKS NO. SX238 PIVOT, SIZE: 3/4" x 1 1/2" x 3 1/2"	<b>N/A</b>	\$105.00
F1626RRP	EQUIV. FAIRBANKS NO. SX247 PIVOT, SIZE: 1" x 2" x 25"	<b>N/A</b>	\$358.00
F1627RRP	EQUIV. FAIRBANKS NO. SM247-B PIVOT, SIZE: 1" x 2" x 12 3/4"	<b>N/A</b>	\$258.00
F1628RRP	EQUIV. FAIRBANKS NO. SX248 PIVOT, SIZE: 1" x 2" x 19 1/4"	<b>N/A</b>	\$357.00
F1629RRP	EQUIV. FAIRBANKS NO. SX255 PIVOT, SIZE: 1" x 2" x 17"	<b>N/A</b>	\$360.00

\*Item obsolete or discontinued. When remaining stock is depleted, published prices are withdrawn and the item is subject to a special order quote.

**FAIRBANKS**

# Individual Fairbanks Scale Parts

## Railroad Track Scale Parts

RL PART #	DESCRIPTION	FB NEW #	SUGG. LIST
F1630RRP	EQUIV. FAIRBANKS NO. SX259 PIVOT, SIZE: 1" x 2" x 9 5/8"	N/A	\$240.00
F1631RR	EQUIV. FAIRBANKS NO. SM407A BEARING, SIZE: 1" x 3 1/4" x 5 1/8"	N/A	\$206.00
*F1632RR	EQUIV. FAIRBANKS NO. SX414-B BEARING, SIZE: 1 1/4" x 2" x 3 9/16"	N/A	\$214.00
F1633RR	EQUIV. FAIRBANKS NO. SX415 BEARING, SIZE: 7/8" x 1 5/8" x 2 1/8"	N/A	\$196.00
F1634RR	EQUIV. FAIRBANKS NO. 73905 BEARING, SIZE: 5/8" x 5/8" x 9 3/4"	N/A	\$162.00
F1635RRP	EQUIV. FAIRBANKS NO. SC139 PIVOT, SIZE: 1" x 2" x 20"	N/A	\$345.00
F1636RRP	EQUIV. FAIRBANKS NO. SC247 PIVOT, SIZE: 1" x 2" x 18"	N/A	\$345.00
F1637RRP	EQUIV. FAIRBANKS NO. SC248 PIVOT, SIZE: 1" x 2" x 14 1/2"	N/A	\$280.00
F1638RRP	EQUIV. FAIRBANKS NO. SC255 PIVOT, SIZE: 1" x 2" x 12 1/2"	N/A	\$260.00
F1639RRP	EQUIV. FAIRBANKS NO. SC259 PIVOT, SIZE: 1" x 2" x 7 1/4"	N/A	\$185.00
F1640RRP	EQUIV. FAIRBANKS NO. SC238 PIVOT, SIZE: 3/4" x 1 1/2" x 2 1/4"	N/A	\$97.00
F1641RR	EQUIV. FAIRBANKS NO. SC353 BEARING, SIZE: 1 1/4" x 1 1/4" x 12 5/8"	N/A	\$293.00
F1642RR	EQUIV. FAIRBANKS NO. SC138 BEARING, SIZE: 1 1/4" x 1 1/4" x 14 5/8"	N/A	\$313.00
F1643RR	EQUIV. FAIRBANKS NO. SC46 BEARING, SIZE: 1 1/4" x 1 1/4" x 18 1/8"	N/A	\$345.00
F1644RR	EQUIV. FAIRBANKS NO. SC194 BEARING, SIZE: 1 1/4" x 1 1/4" x 20 1/8"	N/A	\$360.00
*F1645RR	EQUIV. FAIRBANKS NO. SM278-B BEARING, SIZE: 1" x 11/16" x 12 1/8"	N/A	\$175.00
*F1646RR	EQUIV. FAIRBANKS NO. N/A BEARING, SIZE: 1/2" x 9/16" x 7/8"	N/A	\$110.00
F1647RR	EQUIV. FAIRBANKS NO. SC415 BEARING, SIZE: 3/4" x 1 7/16" x 1 3/8"	N/A	\$113.00
F1648RR	EQUIV. FAIRBANKS NO. SC414 BEARING, SIZE: 1" x 1 7/16" x 2 3/8"	N/A	\$163.00
*F1649RR	EQUIV. FAIRBANKS NO. N/A FRICTION PLATE, SIZE: 3/16" x 1 1/8" x 3/4"	N/A	\$51.00
F1650RRP	EQUIV. FAIRBANKS NO. N/A PIVOT, SIZE: 1/2" x 1" x 10 1/2"	55689	\$84.00

\*Item obsolete or discontinued. When remaining stock is depleted, published prices are withdrawn and the item is subject to a special order quote.

# Individual Fairbanks Scale Parts

## Railroad Track Scale Parts

RL PART #	DESCRIPTION	FB NEW #	SUGG. LIST
F1651RR	EQUIV. FAIRBANKS NO. N/A BEARING, SIZE: 1" x 3/4" x 10 1/2"	<b>55712</b>	\$129.00
F1652RR	EQUIV. FAIRBANKS NO. SC771 BEARING, SIZE: 3" x 1 3/4" x 2 1/4"	<b>N/A</b>	\$195.00
F1653RR	EQUIV. FAIRBANKS NO. 73935 BEARING, SIZE: 1/2" x 17/32" x 7 3/8"	<b>N/A</b>	\$89.00
F1654RRP	EQUIV. FAIRBANKS NO. SM210-E PIVOT, SIZE: 3/4" x 1 1/2" x 1 5/16"	<b>94188</b>	\$72.00
F1655RRP	EQUIV. FAIRBANKS NO. SX210 SADDLE BLOCK, SIZE: 3/4" x 1 1/2" x 2"	<b>N/A</b>	\$73.00
F1656RRP	EQUIV. FAIRBANKS NO. SX210-A PIVOT, SIZE: 3/4" x 1 1/2" x 2"	<b>N/A</b>	\$73.00
F1657RR	EQUIV. FAIRBANKS NO. SX771 BEARING, SIZE: 3" x 1 3/4" x 3"	<b>N/A</b>	\$225.00
*F1662RR	EQUIV. FAIRBANKS NO. N/A PIN, SIZE: 5/8" DIA. x 2 1/4"	<b>N/A</b>	\$49.00
F1663RR	EQUIV. FAIRBANKS NO. 2136 BEARING, SIZE: 2 1/2" x 3" x 7 1/2"	<b>N/A</b>	\$202.00
F1664RR	EQUIV. FAIRBANKS NO. 2135 BEARING, SIZE: 2 1/2" x 2 3/4" x 7 1/2"	<b>N/A</b>	\$195.00
F1665RR	EQUIV. FAIRBANKS NO. 5872 SADDLE BLOCK, SIZE: 6 1/2" x 6" x 15"	<b>N/A</b>	\$806.00
F1666RR	EQUIV. FAIRBANKS NO. 1542 LINK, SIZE: 8" x 1" x 17"	<b>N/A</b>	\$480.00
F1667RR	EQUIV. FAIRBANKS NO. 1547 TRUNNION, SIZE: 2 5/8" x 2 5/8" x 11 1/2"	<b>N/A</b>	\$410.00
F1668RRP	EQUIV. FAIRBANKS NO. 1382-8 PIVOT, SIZE: 1/2" x 1" x 7 1/2"	<b>N/A</b>	\$83.00
F1669RRP	EQUIV. FAIRBANKS NO. 1382-11 PIVOT, SIZE: 1/2" x 1" x 6 3/4"	<b>55688</b>	\$73.00
F1670RR	EQUIV. FAIRBANKS NO. 1418-8 BEARING, SIZE: 1" x 3/4" x 7 1/2"	<b>N/A</b>	\$93.00
F1671RR	EQUIV. FAIRBANKS NO. 1418-6 BEARING, SIZE: 1" x 3/4" x 6 3/4"	<b>N/A</b>	\$88.00
94837	EQUIV. FAIRBANKS NO. 5 x 46-B SIZE: 1 1/4" x 1 1/4" X 25 1/8"	<b>N/A</b>	\$376.00

\*Item obsolete or discontinued. When remaining stock is depleted, published prices are withdrawn and the item is subject to a special order quote.

XX Call for Details

FAIRBANKS

# Individual Fairbanks Scale Parts

## Railroad Track Scale Parts

RL PART #	DESCRIPTION	FB NEW #	SUGG. LIST
*F1672RRP	EQUIV. FAIRBANKS NO. N/A PIVOT, SIZE: 3/4" x 1 1/2" x 6"	N/A	\$111.00
*F1673RRP	EQUIV. FAIRBANKS NO. N/A PIVOT, SIZE: 1 3/4" SQ. TAPERED x 7 5/8"	N/A	\$299.00
*F1675RR	EQUIV. FAIRBANKS NO. N/A BEARING SIZE: 5/8" x 1 1/2" x 6 1/4"	N/A	\$109.00
F1678RR	EQUIV. FAIRBANKS NO. SQ143 LINK, SIZE: 7 1/8" x 1 1/4" x 20 1/2"	N/A	\$616.00
F1679RR	EQUIV. FAIRBANKS NO. SQ191E SADDLE BLOCK, SIZE: 6 5/8" x 7" x 14"	N/A	\$1,037.00
F1680RR	EQUIV. FAIRBANKS NO. SQ9A TRUNNION, SIZE: 2 5/8" x 7" x 24 1/4"	N/A	\$1,027.00
F1681RR	EQUIV. FAIRBANKS NO. SQ155 BEARING, SIZE: 1 7/8" x 4 1/2" x 6 3/4"	N/A	\$237.00
F1682RR	EQUIV. FAIRBANKS NO. SQ3050 BOLT, SIZE: 1" x 1" x 7 3/8"	N/A	\$84.00
F1683RRL	EQUIV. FAIRBANKS NO. SM143 LINK, SIZE: 8" x 1 1/4" x 25"	N/A	\$669.00
F1684RR	EQUIV. FAIRBANKS NO. SM191C SADDLE BLOCK, SIZE: 8 1/6" x 7 9/16" x 17 9/16"	N/A	\$1,079.00
F1685RR	EQUIV. FAIRBANKS NO. SM9E TRUNNION, SIZE: 1 1/2" x 8" x 26 3/4"	N/A	\$1,042.00
F1686RR	EQUIV. FAIRBANKS NO. SM155 WEDGE, SIZE: 2" x 4 7/16" x 7 1/4"4"	N/A	\$222.00
F1687RRP	EQUIV. FAIRBANKS NO. 1382-23 BEARING, SIZE: 1/2" x 1" x 17"	N/A	\$185.00
F1688RRP	EQUIV. FAIRBANKS NO. 1382-24 PIVOT, SIZE: 1/2" x 1" x 21"	N/A	\$240.00
F1689RR	EQUIV. FAIRBANKS NO. 1418-26 BEARING, SIZE: 1" x 3/4" x 21"	55721	\$280.00
F1690RR	EQUIV. FAIRBANKS NO. SU-244 BEARING, SIZE: 5/8" x 3/4" x 5"	N/A	\$110.00
F1691RR	EQUIV. FAIRBANKS NO. SP186R GIRDER CHAIR, SIZE: 12" x 25 7/8" x 18 1/2"	N/A	\$1,880.00
F1692RR	EQUIV. FAIRBANKS NO. SP191C SADDLE BLOCK, SIZE: 6 7/16" x 6" x 15"	N/A	\$984.00

\*Item obsolete or discontinued. When remaining stock is depleted, published prices are withdrawn and the item is subject to a special order quote.

**FAIRBANKS**



# Individual Fairbanks Scale Parts

## Railroad Track Scale Parts

RL PART #	DESCRIPTION	FB NEW #	SUGG. LIST
F1693RR	EQUIV. FAIRBANKS NO. 1418-25 BEARING, SIZE: 1" x 3/4" x 17"	<b>55720</b>	\$242.00
F1696RR	EQUIV. FAIRBANKS NO. 4436 BEARING, SIZE: 2 1/2" x 2" x 8 1/4"	<b>N/A</b>	\$177.00
F1697RR	EQUIV. FAIRBANKS NO. 4438 BEARING, SIZE: 3" x 3" x 8 1/2"	<b>N/A</b>	\$179.00
F1698RR	EQUIV. FAIRBANKS NO. 3190 TRUNNION, SIZE: 3 1/2" DIA x 13"	<b>N/A</b>	\$655.00
F1699RR	EQUIV. FAIRBANKS NO. 3189 SADDLE BLOCK, SIZE: 7 1/4" 10 3/4" x 13"	<b>N/A</b>	\$710.00
F1700RR	EQUIV. FAIRBANKS NO. 3188 LINK, SIZE: 9" x 1 1/2" x 26"	<b>N/A</b>	\$490.00
F1701RRP	EQUIV. FAIRBANKS NO. 1382-18 PIVOT, SIZE: 1/2" x 1" x 25"	<b>N/A</b>	\$210.00
F1702RR	EQUIV. FAIRBANKS NO. 1418-16 BEARING, SIZE: 1" x 3/4" x 25"	<b>N/A</b>	\$294.00
F1703RR	EQUIV. FAIRBANKS NO. 1548 LINK, SIZE: 9" x 1" x 21"	<b>N/A</b>	\$494.00
F1704RR	EQUIV. FAIRBANKS NO. N/A SADDLE BLOCK, SIZE: 2" x 8" x 20"	<b>N/A</b>	\$778.00
F1705RR	EQUIV. FAIRBANKS NO. N/A SIZE: 3" DIA. x 11 1/2" TRUNNION	<b>N/A</b>	\$554.00
F1706RR	EQUIV. FAIRBANKS NO. SQ186S GIRDER CHAIR, SIZE: 12" x 24 5/8" x 18 1/2"	<b>N/A</b>	\$2,212.00
*F1707RR	EQUIV. FAIRBANKS NO. SQ186M GIRDER CHAIR, SIZE: 8" x 23 3/4" x 18 1/2"	<b>N/A</b>	\$2,212.00
*F1708RR	EQUIV. FAIRBANKS NO. SM154D PIN, SIZE: 1 1/2" DIA x 5"	<b>N/A</b>	\$140.00
F1709RR	EQUIV. FAIRBANKS NO. 1564 SADDLE BLOCK SIZE: 2" x 8" x 19 1/2"	<b>N/A</b>	\$771.00
F1710RR	EQUIV. FAIRBANKS NO. N/A PIN: 1 1/2" DIAMETER x 4 MODEL: S - 12 1/2-75	<b>N/A</b>	\$91.00
F1711RR	EQUIV. FAIRBANKS NO. N/A SIZE: 1" x 3/4" x 12 1/2" BEARING	<b>N/A</b>	\$167.00
F1712RR	EQUIV. FAIRBANKS NO. N/A SIZE: 6" x 6" x 11" SADDLE BLOCK	<b>N/A</b>	\$724.00

\*Item obsolete or discontinued. When remaining stock is depleted, published prices are withdrawn and the item is subject to a special order quote.

**FAIRBANKS**

# Individual Fairbanks Scale Parts

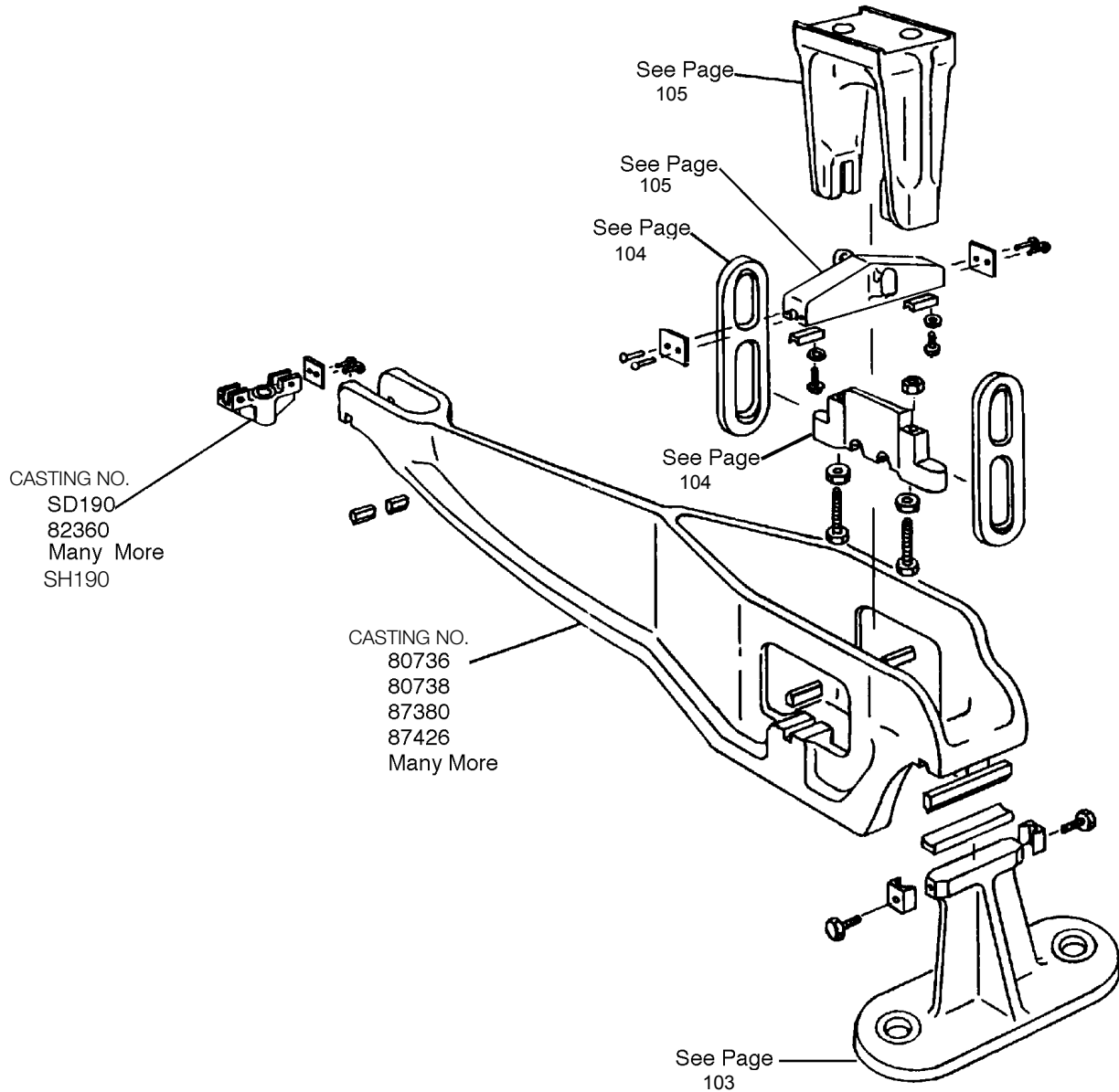
Fairbanks Parts Available But Not Shown

RL PART #	DESCRIPTION	FB NEW #	SUGG. LIST
F594	EQUIV. FAIRBANKS NO. N/A, BEAM ASSEMBLY	N/A	\$725.00
F764P	EQUIV. FAIRBANKS NO. 1-37967-1	N/A	\$34.00
F765P	EQUIV. FAIRBANKS NO. N/A	N/A	\$41.00
F771	EQUIV. FAIRBANKS NO. N/A	N/A	\$56.00
F773	EQUIV. FAIRBANKS NO. PQ190BQ	N/A	\$20.00
F774	EQUIV. FAIRBANKS NO. N/A	N/A	\$20.00
F775	EQUIV. FAIRBANKS NO. N/A	N/A	\$21.00
F780SS	EQUIV. FAIRBANKS NO. 1-13122	61110	\$71.00

**FAIRBANKS**

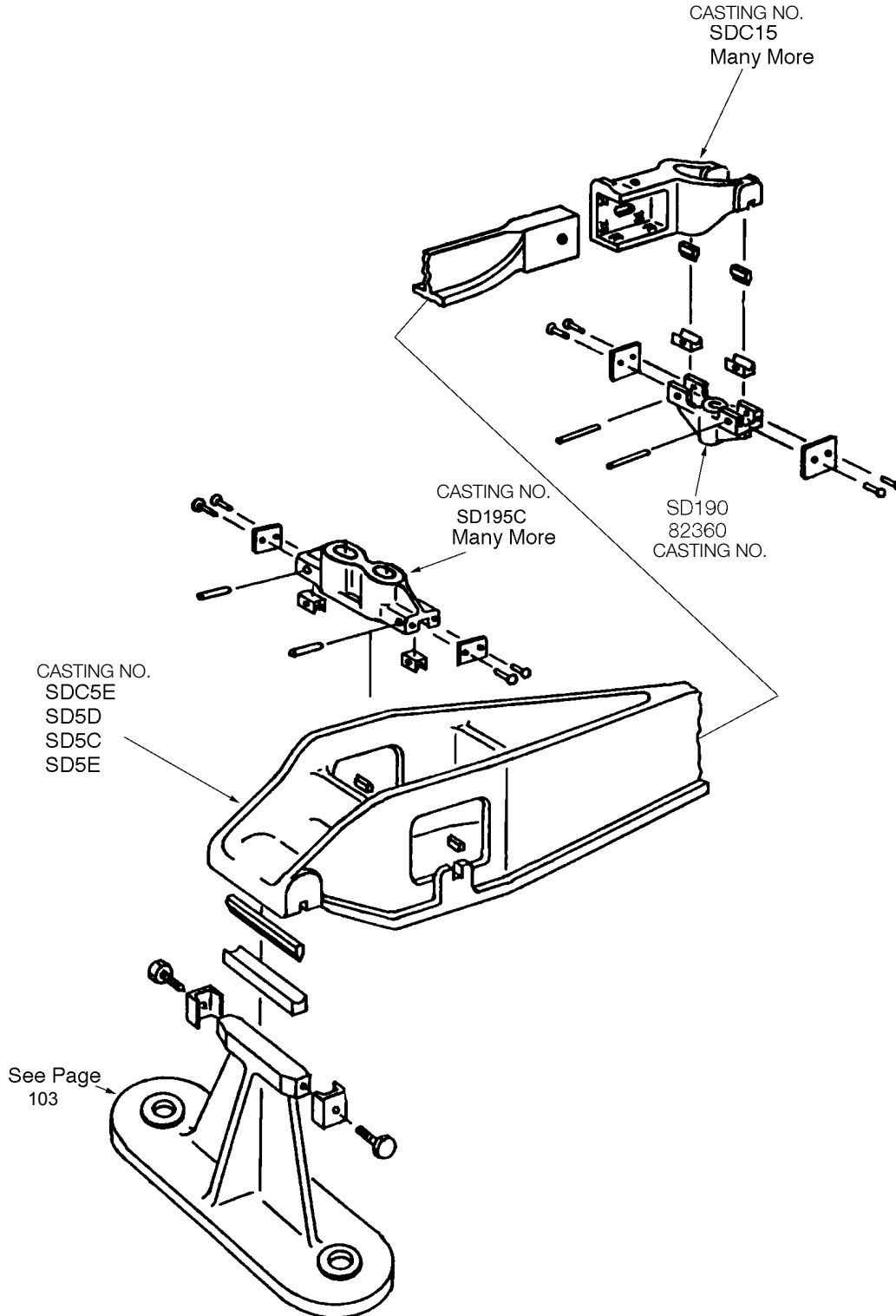
# Reconditioned Parts

**FAIRBANKS**



Main Lever, Stand, Tip Connection & Suspension  
Call 715-234-9171 with Casting No for Price & Availability

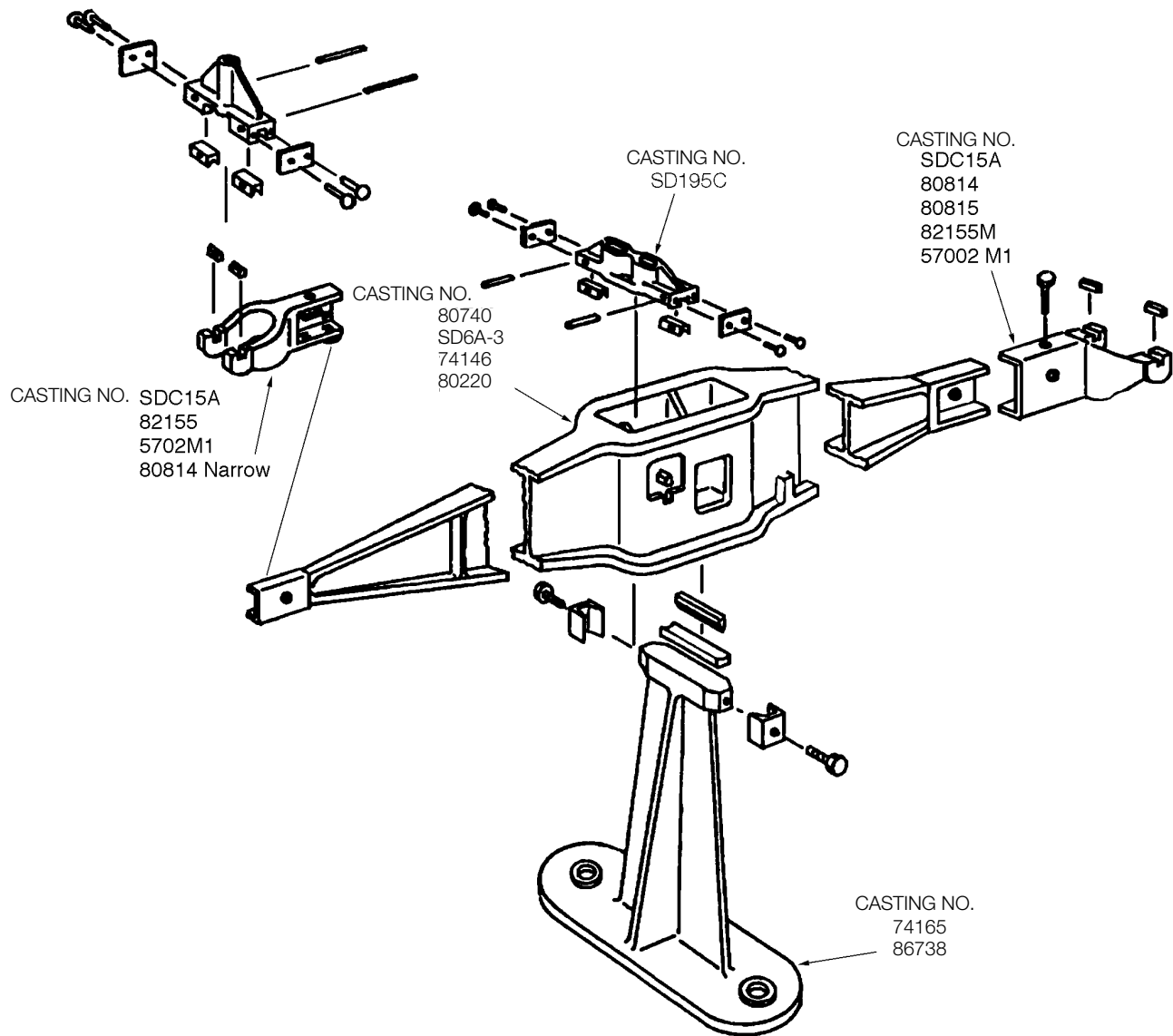
# Individual Fairbanks Scale Parts



**FAIRBANKS**

End Extension, Bearing Block, Nose Iron & Stand  
Call 715-234-9171 with Casting No. for Price & Availability

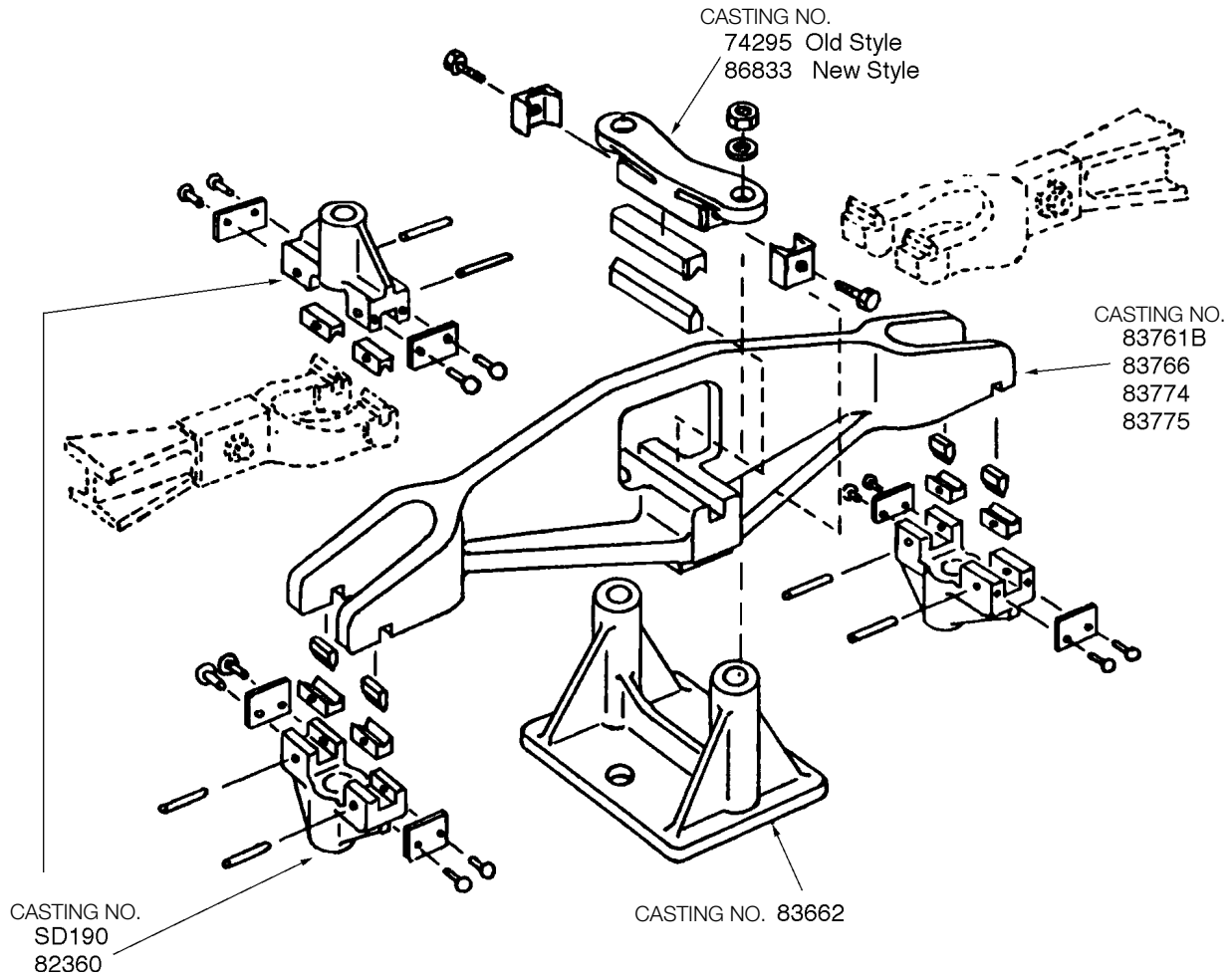
# Reconditioned Parts



**FAIRBANKS**

Center Extension, Nose Iron, Stand & Tip Connections  
Call 715-234-9171 with Casting No for Price & Availability

# Individual Fairbanks Scale Parts

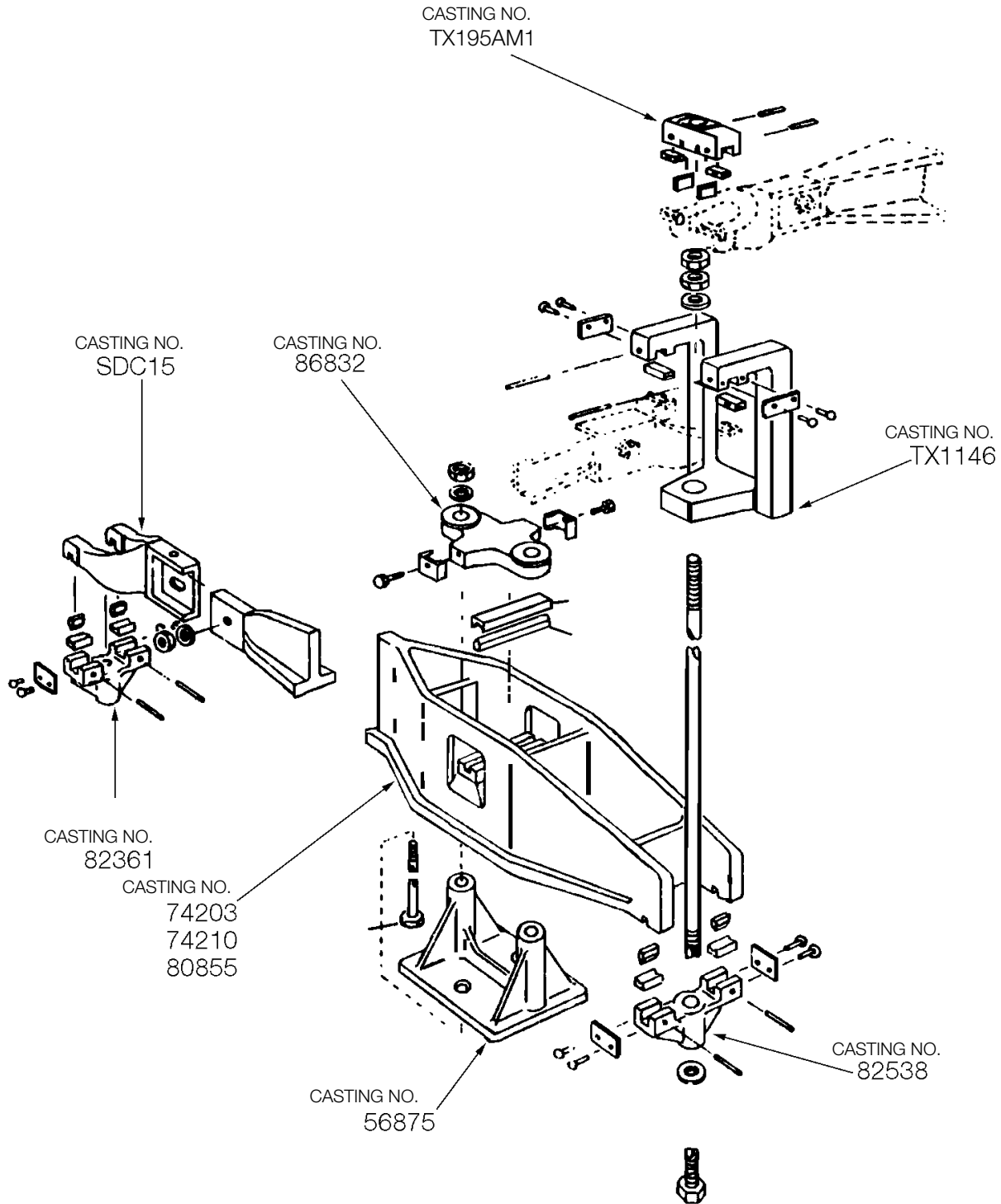


**FAIRBANKS**

Even Lever, Anchor & Anchor Block  
Call 715-234-9171 with Casting No. for Price & Availability

# Reconditioned Parts

FAIRBANKS



Transverse Lever, Nose Iron, Connection & Anchor  
Call 715-234-9171 with Casting No for Price & Availability

# FAIRBANKS KITS

FAIRBANKS





# Portable Platform/OverheadTrack Scales

## Kit No. F-474-K

Portable Platform Scales, Models 1124, 1280 & 12064 (Old Style Only)

QTY.	RL PART #	EQUIV. FBKS #	DESCRIPTION
8.....	F452P	PB31D	PIVOT, LOAD & FULCRUM
1.....	F479P	PQ33C	PIVOT, UPPER, LONG LEVER CENTER CONNECTION
1.....	F480P	PQ33D	PIVOT, LOWER, SHORT LEVER CENTER CONNECTION
4.....	F483	PQ190AC	BEARING, BEAM, FULCRUM AND LOAD
4.....	F484	PQ140A	PIN, ALL FOUR CORNERS
4.....	F485	PA26	BEARING STEEL, LOAD
4.....	F486	PQ25B	CHECK ROD
1.....	F488P	PB42A	PIVOT, BEAM, TIP, 1/4" x 1 1/8"
2.....	F489P	PB50	PIVOT, BEAM, FULCRUM & LOAD, 9/32 x 2"
1.....	F490	PQ19AC	BEARING, NOSE IRON
1.....	F493	1A1991	TIP LOOP, BEAM
4.....	F498	PA594	BEARING, SHIM LOAD
1.....	F501	PQ1002E, PQ679 & PQ190AU	CENTER CONNECTION ASSEMBLY
4.....	F502	PQ24C & PQ190AN	LOOP W/BEARING, FOUR CORNERS, ROLL PINS

**\$350.00** Sugg. List / 6 lb Ship Wt.

## Kit No. F-475-K

Portable Platform Scales, Models RL1100, 1124A, 1280A, 12064A, 11774A, 41-3132, 41-3141, 41-3160, 41-3131, 41-3132-S40 & 41-3132-201

QTY.	RL PART #	EQUIV. FBKS #	DESCRIPTION
8.....	F452P	1A1408	PIVOT, LOAD & FULCRUM, 1/2" x 2 5/32"
1.....	F481	1A493, 1A494, SP-13	CENTER CONNECTION. ASSEMBLY, UPPER & LOWER LINKS & COTTER PIN
2.....	F482	1A1921	LOOP ASSEMBLY, FRONT CORNER, SHORT
2.....	F487P	1A1409	PIVOT, CENTER CONNECTION, UPPER & LOWER, 9/32" x 2 1/4"
1.....	F488P	1A779	PIVOT, BEAM, TIP, 1/4" x 1 1/8"
3.....	F489P	1A780	PIVOT, BEAM, LOAD AND FULCRUM, ALSO NOSE IRON, 9/32" x 2"
2.....	F492	1A1922	LOOP ASSEMBLY, REAR CORNER, 1 7/8" x 4 5/8"
1.....	F493	1A1991	TIP LOOP, BEAM
6.....	F494	1A2150	BEARING, BEAM & FULCRUM, & NOSE IRON
4.....	F495	1A2143	PIN, CORNER LOOP, 3/8" x 1 1/2"
4.....	F496	1A495	V-BEARING, PLATFORM, 3/4" x 2 3/4"
4.....	F497	1A1919	STUD, PLATFORM
4.....	F498	1A1920	SHIM, PLATFORM
4.....	15277	SP-123	GROOVE PIN, 5/16" x 1 1/4"

**\$350.00** Sugg. List / 6 lb Ship Wt.

**FAIRBANKS**

# Pipe Lever Scale On Stands

## Kit No. F-468-K

Pipe Lever Scale On Stands 10,000 lb Capacity

QTY.	REF #	RL PART #	EQUIV. FBKS #	DESCRIPTION
4.....	6.....	F301.....	.84013.....	TRUNNION BAR ASSEMBLY
4.....	9.....	F302.....	.84009.....	SADDLE BLOCK ASSEMBLY
20.....	14.....	F304P.....	.82543.....	PIVOT
4.....	16.....	F305.....	.84016.....	BEARING
4.....	18.....	F307.....	.82551A.....	BEARING
12.....	18.....	F308.....	.WJ361A.....	FRICTION PLATE
2.....	2.....	F309P.....	.82543A.....	PIVOT
4.....	31.....	F310.....	.82551B.....	BEARING
8.....	8.....	F312L.....	.84011.....	LINK
4.....	21.....	F323P.....	.84310.....	PIVOT
2.....	3.....	F323P.....	.84310.....	PIVOT
12.....	20.....	F315.....	.N/A.....	SCREWS

**\$1,156.00** Sugg. List / 26 lb Ship Wt.

Available, But Not Included In Kit, Ask For:

4.....	12.....	F319.....	.84026.....	GIRDER CHAIR
--------	---------	-----------	-------------	--------------

See page 84 for 10,000 lb drawing

See page 85 for reference numbers for 10,000 lb drawing

See page 86 for 20,000 lb drawing

See page 87 for reference numbers for 20,000 lb drawing

FAIRBANKS

## Kit No. F-521-K

Pipe Lever Scale On Stands 20,000 lb Capacity

QTY.	RL PART #	EQUIV. FBKS #	DESCRIPTION
8.....	F465P.....	FG313A.....	.PIVOT, LOAD & FULCRUM
4.....	F326.....	85309.....	.BEARING, FULCRUM
4.....	F538.....	74322 & 85111.....	.BEARING, LOAD
2.....	F309P.....	84122.....	.PIVOT, TIP
2.....	F303.....	84121.....	.BEARING, TIP
2.....	F307.....	84119.....	.BEARING
2.....	F323P.....	84320.....	.PIVOT, EXTENSION LEVER
4.....	F310.....	84120.....	.BEARING
4.....	F753PSS.....	84126.....	.PIVOT, TRANSVERSE
8.....	F308.....	.WJ361A.....	.PLATE, FRICTION
8.....	F315.....	.N/A.....	.SCREW

**\$1,156.00** Sugg. List/ 15 lb Ship Wt.

## Kit No. F-522-K

Suspension Kit For F-521-K

QTY.	RL PART #	EQUIV. FBKS #	DESCRIPTION
8.....	F325L.....	87244.....	.LINK
4.....	F327.....	87465.....	.SADDLE BLOCK
4.....	F328.....	84138.....	.TRUNNION

**\$795.00** Sugg. List/ 33 lb Ship Wt.

# Floor Scale

## Kit No. F-514-K

### FB New # 96396

Warehouse & Floor Scale, Steel Fabricated, Models 23-2001 Through 23-2006 & 23-2011

QTY.	RL PART #	EQUIV. FBKS #	DESCRIPTION
1.....	F730P .....	1-293883-1, 89603 .....	PIVOT, CENTER
10.....	F729P .....	1-27979-1, 89604 .....	PIVOT, LOAD, FULCRUM, & NOSE IRON
3.....	F311 .....	1-32552-1, 89622 .....	BEARING, LOAD, FULCRUM, & NOSE IRON
6.....	F731 .....	1-29250-1 .....	BEARING, LOAD & FULCRUM
2.....	F732 .....	1-29314-1 .....	BEARING, FULCRUM

**\$586.00** Sugg. List / 7 lb Ship Wt.

## Kit No. F-527-K

Warehouse & Floor Scale, Steel Fabricated, Models 23-2001 Through 23-2006 & 23-2011

QTY.	RL PART #	EQUIV. FBKS #	DESCRIPTION
4.....	F739 .....	2-29377-1, 89651 .....	LOOP, LOAD WELDMENT
4.....	F740 .....	1-29255-1 .....	U-BOLT, LOAD

**\$290.00** Sugg. List / 6 lb Ship Wt.

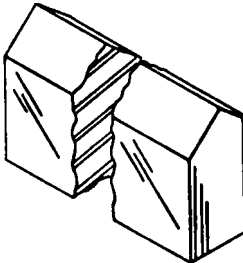
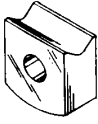
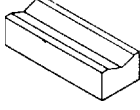
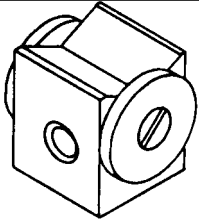
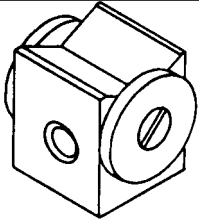
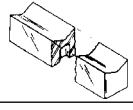
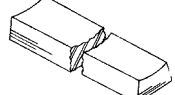
FAIRBANKS

# Built-in Floor Scale

## Kit No. F-485-K

### FB NEW # 60239

Equivalent To Fairbanks Kit #86561, Models 5712, 5716, 5717, 5750, 5751, 5752, 5755 & 5756

QTY.	RL PART #	DESCRIPTION	
4	F530P	EQUIV. FAIRBANKS NO. SD253A SIZE: 1/2" x 1" x 1" TAPERED BOTH ENDS, PIVOT	
2	F531P	EQUIV. FAIRBANKS NO. SE255A SIZE: 1/2" x 1" x 1 1/2" TAPERED BOTH ENDS, PIVOT	
2	F532P	EQUIV. FAIRBANKS NO. SE255 SIZE: 1/2" x 1" x 1 1/2" TAPERED BOTH ENDS SAME WAY, PIVOT	
2	F457P	EQUIV. FAIRBANKS NO. SG255A SIZE: 1/2" x 1" x 2" TAPERED BOTH ENDS, PIVOT	
4	F465P	EQUIV. FAIRBANKS NO. FG313 SIZE: 1/2" x 1" x 4" TAPERED BOTH ENDS, PIVOT	
4	F533P	EQUIV. FAIRBANKS NO. FG18B SIZE: 1/2" x 1" x 5" TAPERED BOTH ENDS W/CENTER GROUND OUT 1 1/2", PIVOT	
2	F534	EQUIV. FAIRBANKS NO. 74057 SIZE: 1/2" x 1" x 1 9/16" HOLE SIZE: 3/8" BEARING	
2	F535	EQUIV. FAIRBANKS NO. 74321 SIZE: 3/4" x 1/2" x 2" BEARING	
4	F536	EQUIV. FAIRBANKS NO. 82105 SIZE: 1" x 1 1/4" x 1 3/32" WITH ANTI-FRICTION PLATES BEARING	
1	F537	EQUIV. FAIRBANKS NO. 74319 SIZE: 1" x 1 1/4" x 1 5/8" WITH ANTI-FRICTION PLATES BEARING	
4	F538	EQUIV. FAIRBANKS NO. 74322 SIZE: 9/16" x 9/16" x 4" BEARING	
4	F539	EQUIV. FAIRBANKS NO. 74335 SIZE: 1" x 1/2" x 5 1/4" BEARING, OLD STYLE	

**\$930.00** Sugg. List

ORDER KIT NO. F-485-K FOR ABOVE PIVOTS & BEARINGS

ORDER KIT NO. F-526-K FOR SUSPENSION

**RICE LAKE**  
WEIGHING SYSTEMS

An ISO 9001 registered company ©2013 Rice Lake Weighing Systems 09/15/13 Prices and specifications subject to change without notice. Visit [ricelake.com](http://ricelake.com) for current prices.

FAIRBANKS

# Built-in Scale Suspension

## Kit No. F-526-K

Built-In Floor Scale 5- & 10-Ton, Main Lever Casting #82122, 82123, 82143, 82144, 82145, 82146

QTY.	RL PART #	EQUIV. FBKS #	DESCRIPTION
8.....	F475AL	RA135	LINK
4.....	131389	87221	SADDLE BLOCK
4.....	F745	82102	TRUNNION

**\$1,264.00** Sugg. List / 47 lb Ship Wt.

## Truss Lever/Cattle Scale

## Kit No. F-505-K

Truss Type Wagon & Stock Scale, Model 11492, Capacity 5-Ton, Platform Size 14' 1" X 8' 1"

QTY.	RL PART #	EQUIV. FBKS #	DESCRIPTION
7.....	F529	WA44B	BEARING, CUP
4.....	F540P	WA18C	PIVOT, FULCRUM
4.....	F541P	WA19	PIVOT, LOAD
2.....	F542P	WA20A	CENTER PIN PIVOT
4.....	F543	WA61	BEARING, LOAD
3.....	F545P	WDA31	PIVOT, SHELF LEVER
3.....	F544	WB10-M1	SHELF LEVER LOOPS
2.....	F547	WA328	FULCRUM LOOP 3/4 DIA x 7"
2.....	F546	WA329	FULCRUM LOOP 3/4 DIA x 10"
2.....	F549	WA23	NOSE IRON BUTTON
1.....	F582	WA21A	NOSE IRON
1.....	F583	WA22A	NOSE IRON

**\$1,755.00** Sugg. List / 32 lb Ship Wt.

## Kit No. F-520-K

Truss Type Wagon & Stock Scale,	Model	Capacity	Platform Size
	11514	10-Ton	16' x 8'
	11548	8-Ton	16' x 9'
	11592	10-Ton	18' x 8'
	11593	10-Ton	22' x 8'

QTY.	RL PART #	EQUIV. FBKS #	DESCRIPTION
7.....	F529	WA44B	BEARING, CUP
4.....	F586P	WD18A	PIVOT, FULCRUM
4.....	F541P	WA19	PIVOT, LOAD
2.....	F542P	WA20A	PIVOT, CENTER PIN
4.....	F543	WA61	BEARING, LOAD
3.....	F545P	WDA31	PIVOT, SHELF LEVER
2.....	F792	WG328	FULCRUM LOOP 1" DIA x 9 1/4"
2.....	F793	WG329	FULCRUM LOOP 1" DIA x 12 1/4"
2.....	F549	WA23	NOSE IRON BUTTON
3.....	F544	WB10-M1	SHELF LEVER LOOP
1.....	F584	WG21-A	NOSE IRON
1.....	F585	WG22-A	NOSE IRON

**\$2,185.00** Sugg. List / 44lb Ship Wt.

An ISO 9001 registered company ©2013 Rice Lake Weighing Systems 09/15/13 Prices and specifications subject to change without notice. Visit [ricelake.com](http://ricelake.com) for current prices.

# Self-Contained Wagon and Stock Scale

## Kit No. F-503-K

Self-Contained Wagon & Stock Scale, Model 11652, Capacity 5-Ton, Platform Size 14' x 8'

QTY.	RL PART #	EQUIV. FBKS #	DESCRIPTION
3	F529	WA44B	BEARING, CUP
8	F554P	WJ280A	PIVOT, LOAD
4	F555P	WJ281	PIVOT, FULCRUM
4	F556	WJ362B	BEARING
4	F572	WJ390	BEARING
2	F750P	WJ379	PIVOT, PIN
8	F735	WJ390A	BEARING
2	F759P	WJ31	PIVOT

**\$880.00** Sugg. List/ 8 lb Ship Wt.

## Kit No. F-504-K

Self-Contained Wagon & Stock Scale	Model	Capacity	Platform Size
	11926	10-Ton	16' x 8'
	11927	10-Ton	22' x 8'

QTY.	RL PART #	EQUIV. FBKS #	DESCRIPTION
3	F529	WA44B	BEARING, CUP
8	F532P	SE255	PIVOT, LOAD
4	F556	WJ362B	BEARING
8	F571	WR613	BEARING
4	F572	WJ390	BEARING
2	F750P	WJ379	PIVOT, PIN
2	F759P	WJ31	PIVOT
4	F458P	WR281	PIVOT, FULCRUM

**\$880.00** Sugg. List/ 8 lb Ship Wt.

Call For Information On Self-Contained Wagon & Stock Scales With The Following Model Numbers:

Model	Capacity	Platform Size
11997	15-Ton	18' x 9'
12236	15-Ton	22' x 9'
12237	15-Ton	20' x 9'
12238	20-Ton	22' x 9'

FAIRBANKS

# Axle Load Scales

## Kit No. F-459-K1, Old Style

## Kit No. F-459-K2, Conversion \* FB NEW # 96375

## Kit No. F-459-K3, New Style FB NEW # 96376

20-Ton & 26-Ton Axle Load, Models S-208 & S-2010, 11-6198A, 11-6199A, 14-6198A, 14-6198A

Use Kits Listed Above For Axle Scales Having Main Lever Casting Numbers SD8F, 82102, SD8G

RL PART #	EQUIV. FBKS #	DESCRIPTION	KIT #F-459-K1 OLD STYLE	*KIT #F-459-K2 CONVERSION FB NEW # 96375	KIT #F-459-K3 NEW STYLE
F401	SD183K	BEARING	20	20	20
F405	SD194AMI	BEARING	7	0	0
F407P	SD253	PIVOT	20	20	20
F410P	SD139A	PIVOT	7	7	7
F412P	SD255A	PIVOT	8	8	8
F414	SD183H	BEARING	8	8	8
F751	83364	FRICTION PLATE	20	20	20
F474	86691	FRICTION PLATE	0	0	14
F472	86694	BEARING	0	7	7
F506**	86797	BEARING BLOCK	0	7	0
22002	#10-24 x 3/8"	SCREWS	20	20	20
22005	1/4-20 x 1/2"	SCREWS	10	10	10

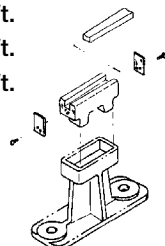
\* Need Main Lever Fulcrum Stand Number for Ordering the Correct Bearing Block

\*\* F506 Includes F474 Thrust Caps

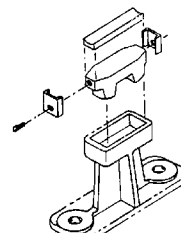
F-459-K1 **\$1316.00** Sugg. List / 25 lb Ship Wt.

F-459-K2 **\$1450.00** Sugg. List / 50 lb Ship Wt.

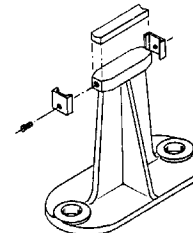
F-459-K3 **\$1273.00** Sugg. List / 28 lb Ship Wt.



OLD STYLE



CONVERSION



NEW STYLE

## Kit No. F-482-K (With Chairs) FB NEW # 94031

## Kit No. F-483-K (Without Chairs) FB NEW # 60074

Suspension Kit For F-459-K1, F-459-K2, F459-K3

RL PART #	EQUIV. FBKS #	DESCRIPTION	KIT #F-482-K	KIT #F-483-K
F477CL	RC135, 87242	LINK	8	8
F503	80266, 87235	CHAIR	4	0
F505	80267, 87227	TRUNNION	4	4
F508	RC191A, 87218	SADDLE BLOCK	4	4

F-482-K **\$2,185.00** Sugg. List / 200 lb Ship Wt.

F-483-K **\$1,786.00** Sugg. List / 105 lb Ship Wt.

FAIRBANKS



# Axle Load Scales

**Kit No. F-457-K1, Old Style**

**Kit No. F-457-K2, Conversion**

**Kit No. F-457-K3, New Style**

30-Ton Axle Load, Model S-308

Use Kits Listed Above For Axle Scales Having Main Lever Casting Number 80733, End Ext #80820,  
Transverse Lever #80732

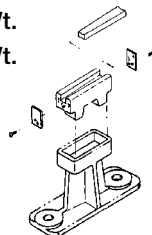
RL PART #	EQUIV. FBKS #	DESCRIPTION	KIT #F-457-K1 OLD STYLE	KIT #F-457-K2 CONVERSION	KIT #F-457-K3 NEW STYLE
F401	SD183K	BEARING	20	20	20
F404	SD183J	BEARING	8	8	8
F405	SD194AMI	BEARING	7	0	0
F407P	SD253	PIVOT	20	20	20
F409P	SD255C	PIVOT	8	8	8
F410P	SD139A	PIVOT	7	7	7
F474	86691	FRICITION PLATE	0	0	14
F751	83364	FRICITION PLATE	20	20	20
F472	86694	BEARING	0	7	7
F507*	86822	BEARING BLOCK	0	7	0
22002	#10-24 x 3/8	SCREWS	20	20	20
22005	1/4-20 x 1/2	SCREWS	10	10	10

\*F507 Includes F474 Friction Plate

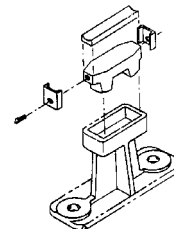
F-457-K1 **\$1,377.00** Sugg. List / 30 lb Ship Wt.

F-457-K2 **\$1,539.00** Sugg. List / 55 lb Ship Wt.

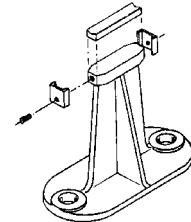
F-457-K3 **\$1,345.00** Sugg. List / 30 lb Ship Wt.



OLD STYLE



CONVERSION



NEW STYLE

**Kit No. F-476-K (With Chairs) or FB NEW # 94046**

**Kit No. F-477-K (Without Chairs) FB NEW # 60076**

Suspension Kit For F-457-K1, F-457-K2, F457-K3

RL PART #	EQUIV. FBKS #	DESCRIPTION	KIT #F-476-K	KIT #F-477-K
F478DL	RD135, 87243	LINK	8	8
F513	80270, 87228	TRUNNION	4	4
F514	RD191, 87219	SADDLE BLOCK	4	4
F515	80269, 87236	CHAIR	4	0

F-476-K **\$2,852.00** Sugg. List / 337 lb Ship Wt.

F-477-K **\$2,417.00** Sugg. List / 150 lb Ship Wt.

FAIRBANKS

# Axle Load Scales

## Kit No. F-458-K1, Old Style Kit No. F-458-K2, Conversion Kit No. F-458-K3, New Style

30-Ton Axle Load, Model S-3010

Use Kits Listed Above For Axle Scales Having Main Lever Casting Number 80733,  
End Ext #SH6BM-M1, Transverse Lever #80732

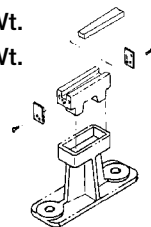
RL PART #	EQUIV. FBKS #	DESCRIPTION	KIT #F-458-K1 OLD STYLE	KIT #F-458-K2 CONVERSION	KIT #F-458-K3 NEW STYLE
F401	SD183K	BEARING	16	16	16
F534	74057	BEARING	4	4	4
F404	SD183J	BEARING	8	8	8
F405	SD194AMI	BEARING	4	0	0
F407P	SD253	PIVOT	16	16	16
F409P	SD255C	PIVOT	8	8	8
F410P	SD139A	PIVOT	4	4	4
F411P	SH253	PIVOT	4	4	4
F415	56936-M1	BEARING	3	0	0
F419P	SH139	PIVOT	3	3	3
F751	83364	FRICTION PLATE	42	42	42
F472	86694	BEARING	0	4	4
F473	86754	BEARING	0	3	3
F507*	86797	BEARING BLOCK	0	4	0
F728	86680, 87257	BEARING BLOCK	0	3	0
F474	86691	FRICTION PLATE	0	0	14
22002	#10-24 x 3/8	SCREWS	20	20	20
22005	1/4 x 20 x 1/2	SCREWS	10	10	10

\*F507 Includes F474 Friction Plate

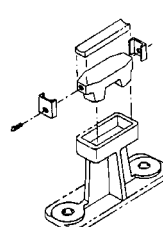
F-458-K1 **\$1,400.00** Sugg. List / 32 lb Ship Wt.

F-458-K2 **\$1,500.00** Sugg. List / 65 lb Ship Wt.

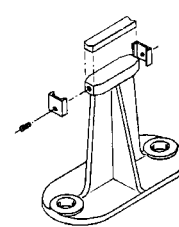
F-458-K3 **\$1,345.00** Sugg. List / 30 lb Ship Wt.



OLD STYLE



CONVERSION



NEW STYLE

## Kit No. F-476-K (With Chairs) or Kit No. F-477-K (Without Chairs)

Suspension Kit For F-458-K1, F-458-K2, F-458-K3

RL PART #	EQUIV. FBKS #	DESCRIPTION	KIT #F-476-K	KIT #F-477-K
F478DL	RD135, 87243	LINK	8	8
F513	80270, 87228	TRUNNION	4	4
F514	RD191, 87219	SADDLE BLOCK	4	4
F515	80269, 87236	CHAIR	4	0

F-476-K **\$2,852.00** Sugg. List / 337 lb Ship Wt.

F-477-K **\$2,417.00** Sugg. List / 150 lb Ship Wt.

# Motor Truck Scales

## Kit No. F-451-K1, Old Style

## Kit No. F-451-K2, Conversion **FB NEW # 60330**

## Kit No. F-451-K3, New Style **FB NEW # 96364**

5-Ton Cattle Scale

10-Ton, 2-Section, Models 12083, 12086, 11-3102 & 11-6186A, 11-6187A, 11-6188A, 11-6189A, 11-6190A, 14-6187A, 14-6188A, 14-6189A, 14-6190A

Use These Kits With Scales Having Main Lever Casting Number SEC8A, SEC8

**FAIRBANKS**

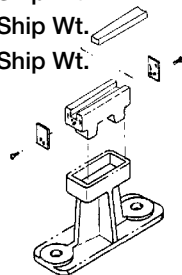
RL PART #	EQUIV. FBKS #	DESCRIPTION	KIT #F-451-K1 OLD STYLE	KIT #F-451-K2 CONVERSION	KIT #F-451-K3 NEW STYLE
F401.....	SD183K.....	BEARING.....	28.....	28.....	28.....
F405.....	SD194AMI.....	BEARING.....	7.....	0.....	0.....
F407P.....	SD253.....	PIVOT.....	28.....	28.....	28.....
F410P.....	SD139A.....	PIVOT.....	7.....	7.....	7.....
F751.....	83364.....	FRICTION PLATE.....	20.....	20.....	20.....
F474.....	86691.....	FRICTION PLATE.....	0.....	0.....	14.....
F472.....	86694.....	BEARING.....	0.....	7.....	7.....
F506*.....	86797.....	BEARING BLOCK.....	0.....	7.....	0.....
22002.....	#10-24 x 3/8.....	SCREWS.....	20.....	20.....	20.....
22005.....	1/4 x 20 x 1/2.....	SCREWS.....	10.....	10.....	10.....

\*F506 Includes F474 Friction Plate

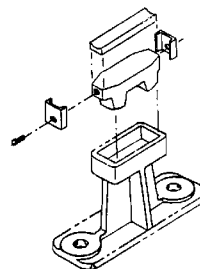
F-451-K1 **\$1,200.00** Sugg. List / 25 lb Ship Wt.

F-451-K2 **\$1,255.00** Sugg. List / 48 lb Ship Wt.

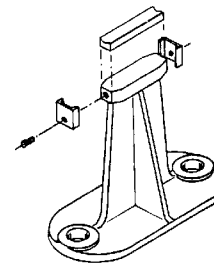
F-451-K3 **\$1,150.00** Sugg. List / 25 lb Ship Wt.



OLD STYLE



CONVERSION



NEW STYLE

## Kit No. F-492-K (With Chairs) or **FB NEW # 94018**

## Kit No. F-493-K (Without Chairs) **FB NEW # 60071**

Suspension Kit For F-451-K1, F-451-K2, F-451-K3

RL PART #	EQUIV. FBKS #	DESCRIPTION	KIT #F-492-K	KIT #F-493-K
F475AL.....	RA135, 87240.....	LINK.....	8.....	8.....
F558.....	80260, 87233.....	CHAIR.....	4.....	0.....
F559.....	RA191, 87215.....	SADDLE BLOCK.....	4.....	4.....
F560.....	80261, 87225.....	TRUNNION BLOCK.....	4.....	4.....

F-492-K **\$1,663.00** Sugg. List / 116 lb Ship Wt.

F-493-K **\$1,174.00** Sugg. List / 56 lb Ship Wt.

# Motor Truck Scales

## Kit No. F-453-K1, Old Style

## Kit No. F-453-K2, Conversion **FB NEW # 60331**

## Kit No. F-453-K3, New Style **FB NEW # 96365**

15-Ton, 2-Section, Models 12087-12090 & 11537, 11540, 11547, 6502, 11-3116, 14-6192 Cattle Scale  
Use These Kits With Scales Having Main Lever Casting Number SE8A, SGC8, 80736

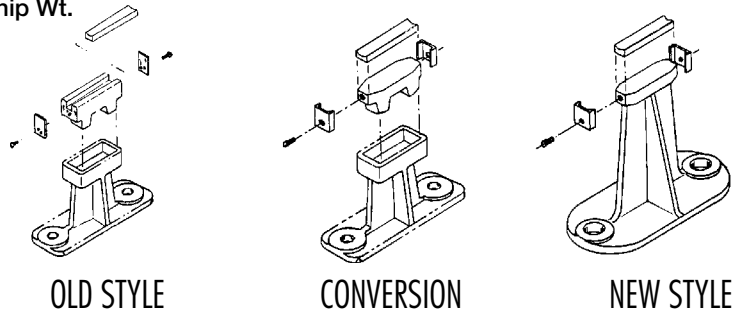
RL PART #	EQUIV. FBKS #	DESCRIPTION	KIT #F-453-K1 OLD STYLE	KIT #F-453-K2 CONVERSION	KIT #F-453-K3 NEW STYLE
F401	SD183K	BEARING	20	20	20
F402	SE183F	BEARING	8	8	8
F405	SD194AMI	BEARING	7	0	0
F407P	SD253	PIVOT	20	20	20
F410P	SD139A	PIVOT	7	7	7
F532P	SE255	PIVOT	8	8	8
F751	83364	FRICTION PLATE	20	20	20
F472	86694	BEARING	0	7	7
F506*	86797	BEARING BLOCK	0	7	0
22002	#10-24 x 3/8	SCREWS	20	20	20
22005	1/4-20 x 1/2	SCREWS	10	10	10

\*F506 includes F474 Friction Plate

F-453-K1 **\$1,288.00** Sugg. List / 23 lb Ship Wt.

F-453-K2 **\$1,315.00** Sugg List / 48 lb Ship Wt.

F-453-K3 **\$1,140.00** Sugg. List / 25 lb Ship Wt.



## Kit No. F-494-K (With Chairs) or **FB NEW # 54029**

## Kit No. F-495-K (Without Chairs) **FB NEW # 60072**

Suspension Kit For F-453-K1, F-453-K2, F453-K3

RL PART #	EQUIV. FBKS #	DESCRIPTION	KIT #F-494-K	KIT #F-495-K
F476BL	RB135, 87241	LINK	8	8
F561	80263, 87234	CHAIR	4	0
F562	RB191, 87216	SADDLE BLOCK	4	4
F563	80264, 87226	TRUNNION BLOCK	4	4

F-494-K **\$2,225.00** Sugg. List / 162 lb Ship Wt.

F-495-K **\$1,630.00** Sugg. List / 84 lb Ship Wt.

FAIRBANKS

# Motor Truck Scales

## Kit No. F-450-K1, Old Style

## Kit No. F-450-K2, Conversion **FB NEW # 60332**

## Kit No. F-450-K3, New Style **FB NEW # 96366**

20-Ton & 25-Ton, 2-Section, Models 11-3129, 11-3134, 11-3141, 11541, 11544, 11545, 11546,  
12091-12098, 6504, 6505 & 6506, 11-6197A, 14-6197A, 14-7181

Use These Kits With Scales Having Main Lever Casting #SG8, SG8A, SG8D-2, SDC8, 80738

**FAIRBANKS**

RL PART #	EQUIV. FBKS #	DESCRIPTION	KIT #F-450-K1 OLD STYLE	*KIT #F-450-K2 CONVERSION	KIT #F-450-K3 NEW STYLE
F401	SD183K	BEARING	20	20	20
F403	SG183A	BEARING	8	8	8
F405	SD194AMI	BEARING	7	0	0
F407P	SD253	PIVOT	20	20	20
F408P	SG255	PIVOT	8	8	8
F410P	SD139A	PIVOT	7	7	7
F751	83364	FRICTION PLATE	20	20	20
F474	86691	FRICTION PLATE	0	0	14
F472	86694	BEARING	0	7	7
F506**	86797	BEARING BLOCK	0	7	0
22002	#10-24 x 3/8	SCREWS	20	20	20
22005	1/4-20 x 1/2	SCREWS	10	10	10

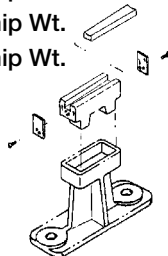
\*Need Main Lever Fulcrum Stand Number for Ordering the Correct Bearing Block

\*\*F506 includes F474 Friction Plate

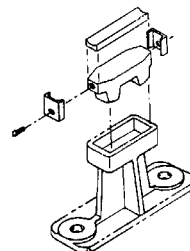
F-450-K1 **\$1,160.00** Sugg. List / 25 lb Ship Wt.

F-450-K2 **\$1,277.00** Sugg. List / 50 lb Ship Wt.

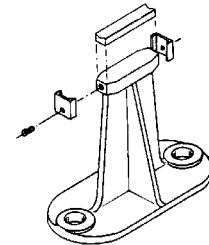
F-450-K3 **\$1,160.00** Sugg. List / 27 lb Ship Wt.



OLD STYLE



CONVERSION



NEW STYLE

## Kit No. F-469-K (With Chairs) or **FB NEW # 54039**

## Kit No. F-471-K (Without Chairs) **FB NEW # 60073**

Suspension Kit For F-450-K1, F-450-K2, F-450-K3

RL PART #	EQUIV. FBKS #	DESCRIPTION	KIT #F-469-K	KIT #F-471-K
F477CL	RC135, 87242	LINK	8	8
F503	80266, 87235	CHAIR	4	0
F504	RC191, 87217	SADDLE BLOCK	4	4
F505	80267, 87227	TRUNNION	4	4

F-469-K **\$2,024.00** Sugg. List / 198 lb Ship Wt.

F-471-K **\$1,725.00** Sugg. List / 105 lb Ship Wt.

# Motor Truck Scales

## Kit No. F-452-K1, Old Style

## Kit No. F-452-K2, Conversion **FB NEW # 60334**

## Kit No. F-452-K3, New Style **FB NEW # 96368**

30-Ton, 2-Section, Models 6507, 6508, 12074-12077, 11-3158, 11-3153, 12099, 12101, 12102, 11-3153A, 11-3158, 14-7182

Use These Kits With Scales Having Main Lever Casting #SD8J, SD8L, SD8N, SD8K, SD8LN, 87380

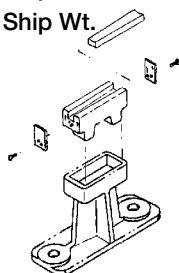
RL PART #	EQUIV. FBKS #	DESCRIPTION	KIT #F-452-K1 OLD STYLE	KIT #F-452-K2 CONVERSION	KIT #F-452-K3 NEW STYLE
F401.....	SD183K.....	BEARING.....	20.....	20.....	20.....
F404.....	SD183J.....	BEARING.....	8.....	8.....	8.....
F405.....	SD194AMI.....	BEARING.....	7.....	0.....	0.....
F407P.....	SD253.....	PIVOT.....	20.....	20.....	20.....
F409P.....	SD255C.....	PIVOT.....	8.....	8.....	8.....
F410P.....	SD139A.....	PIVOT.....	7.....	7.....	7.....
F751.....	83364.....	FRICITION PLATE.....	20.....	20.....	20.....
F472.....	86694.....	BEARING.....	0.....	7.....	7.....
F507*.....	86822.....	BEARING BLOCK.....	0.....	7.....	0.....
F474.....	86691.....	FRICITION PLATE.....	0.....	0.....	14.....
22002.....	#10-24 x 3/8.....	SCREWS.....	20.....	20.....	20.....
22005.....	1/4-20 x 1/2.....	SCREWS.....	10.....	10.....	10.....

\*F507 includes F474 Friction Plate

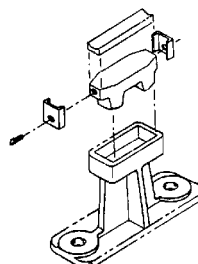
F-452-K1 **\$1,277.00** Sugg. List / 30 lb Ship Wt.

F-452-K2 **\$1,395.00** Sugg. List / 55 lb Ship Wt.

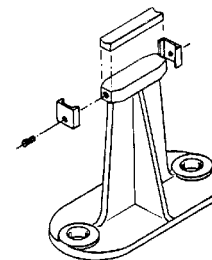
F-452-K3 **\$1,277.00** Sugg. List / 30 lb Ship Wt.



OLD STYLE



CONVERSION



NEW STYLE

## Kit No. F-476-K (With Chairs) or **FB NEW # 94046**

## Kit No. F-477-K (Without Chairs) **FB NEW # 60076**

Suspension Kit For F-452-K1, F-452-K2, F-452-K3

RL PART #	EQUIV. FBKS #	DESCRIPTION	KIT #F-476-K	KIT #F-477-K
F478DL.....	RD135, 87243.....	LINK.....	8.....	8.....
F513.....	80270, 87228.....	TRUNNION.....	4.....	4.....
F514.....	RD191, 87219.....	SADDLE BLOCK.....	4.....	4.....
F515.....	80269, 87236.....	CHAIR.....	4.....	0.....

F-476-K **\$2,852.00** Sugg. List / 337 lb Ship Wt.

F-477-K **\$2,389.00** Sugg. List / 150 lb Ship Wt.

# Motor Truck Scales

## Kit No. F-507-K1, Old Style Kit No. F-507-K2, Conversion Kit No. F-507-K3, New Style

40-Ton, 2-Section, Models 12078, 12082, 12254, & 12256

Use These Kits With Scales Having Main Lever Casting #74178, SH8E, SH8MI, 87426

FAIRBANKS

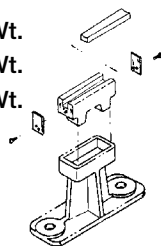
RL PART #	EQUIV. FBKS #	DESCRIPTION	KIT #F-507-K1 OLD STYLE	KIT #F-507-K2 CONVERSION	KIT #F-507-K3 NEW STYLE
F401	SD183K	BEARING	16	16	16
F407P	SD253	PIVOT	16	16	16
F411P	SH253	PIVOT	4	4	4
F415	56936M	BEARING	7	0	0
F419P	SH139A	PIVOT	7	7	7
F420P	SH255A	PIVOT	8	8	8
F421	SH183	BEARING	8	8	8
F422	82499	BEARING	1	1	1
F423P	82498	PIVOT	1	1	1
F424	TX152	FRICTION PLATE	2	2	2
F751	83364	FRICTION PLATE	20	20	20
F473	86754	BEARING	0	7	7
F534	74057	BEARING	4	4	4
F728*	86680, 87257	BEARING BLOCK	0	7	0
F474	86691	FRICTION PLATE	0	0	14
22002	#10-24 x 3/8	SCREWS	20	20	20
22005	1/4-20 x 1/2	SCREWS	10	10	10

\*F728 Includes F474 Friction Plate

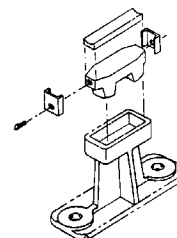
F-507-K1 **\$1,625.00** Sugg. List / 35 lb Ship Wt.

F-507-K2 **\$1,870.00** Sugg. List / 70 lb Ship Wt.

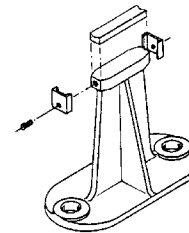
F-507-K3 **\$1,625.00** Sugg. List / 30 lb Ship Wt.



OLD STYLE



CONVERSION



NEW STYLE

## Kit No. F-498-K (With Chairs) or FB NEW # 94064

## Kit No. F-499-K (Without Chairs) FB NEW # 60077

Suspension Kit For F-507-K1, F-507-K2, F-507-K3

RL PART #	EQUIV. FBKS #	DESCRIPTION	KIT #F-498-K	KIT #F-499-K
F478DL	RD135, 87243	LINK	8	8
F513	80270, 87228	TRUNNION BLOCK	4	4
F515	80269, 87236	CHAIR	4	0
F564	80253, 87220	SADDLE BLOCK	4	4

F-498-K **\$4,010.00** Sugg. List / 329 lb Ship Wt.

F-499-K **\$2,905.00** Sugg. List / 161 lb Ship Wt.

# Motor Truck Scales

## Kit No. F-454-K1, Old Style

## Kit No. F-454-K2, Conversion \* FB NEW # 60335

## Kit No. F-454-K3, New Style FB NEW # 60336

50-Ton, 4-Section, Models 6509, 6510, 6512, 12301, 12302, 12304, 11-3380, 11-3331, 11-3332, 11-3334

Use These Kits With Scales Having Main Lever Casting #80738, SG8D, SG8D2, SDC8, 87208

RL PART #	EQUIV. FBKS #	DESCRIPTION	KIT #F-454-K1 OLD STYLE	*KIT #F-454-K2 CONVERSION	KIT #F-454-K3 NEW STYLE
F401.....	SD183K.....	BEARING.....	40.....	40.....	40.....
F403.....	SG183K.....	BEARING.....	16.....	16.....	16.....
F405N.....	SD194AMI.....	BEARING.....	12.....	2.....	0.....
F407P.....	SD253.....	PIVOT.....	40.....	40.....	40.....
F408P.....	SG255.....	PIVOT.....	16.....	16.....	16.....
F410P.....	SD139A.....	PIVOT.....	12.....	12.....	12.....
F422.....	82499.....	BEARING.....	1.....	1.....	0.....
F423P.....	82498.....	PIVOT.....	1.....	1.....	1.....
F424.....	TX152.....	FRICTION PLATE.....	2.....	2.....	2.....
F751.....	83364.....	FRICTION PLATE.....	20.....	20.....	20.....
F474.....	86691.....	FRICTION PLATE.....	0.....	0.....	16.....
F472.....	86694.....	BEARING.....	0.....	10.....	12.....
F507**.....	86822.....	BEARING BLOCK.....	0.....	10.....	0.....
F557.....	86755.....	BEARING.....	0.....	0.....	1.....
22002.....	#10-24 x 3/8.....	SCREWS.....	20.....	20.....	20.....
22005.....	1/4-20 x 1/2.....	SCREWS.....	10.....	10.....	10.....

\*Need Main Lever Fulcrum Stand Number for Ordering the Correct Bearing Block

\*\*F507 Includes F474 Friction Plate

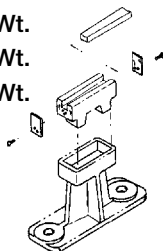
Stand Number SD19E Needs F507

Stand Number SDC19 Needs F506

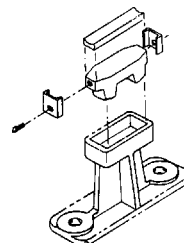
F-454-K1 **\$2,245.00** Sugg. List / 42 lb Ship Wt.

F-454-K2 **\$2,175.00** Sugg. List / 78 lb Ship Wt.

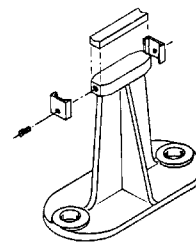
F-454-K3 **\$1,979.00** Sugg. List / 43 lb Ship Wt.



OLD STYLE



CONVERSION



NEW STYLE

## Kit No. F-470-K (With Chairs) or FB NEW # 54047

## Kit No. F-472-K (Without Chairs) FB NEW # 60078

Suspension Kit For F-454-K1, F-454-K2, F-454-K3

RL PART #	EQUIV. FBKS #	DESCRIPTION	KIT #F-470-K	KIT #F-472-K
F477CL.....	RC135, 87242.....	LINK.....	16.....	16.....
F503.....	80266, 87235.....	CHAIR.....	8.....	0.....
F504.....	RC191, 87217.....	SADDLE BLOCK.....	8.....	8.....
F505.....	80267, 87227.....	TRUNNION BLOCK.....	8.....	8.....

F-470-K **\$4,048.00** Sugg. List / 580 lb Ship Wt.

F-472-K **\$3,450.00** Sugg. List / 200 lb Ship Wt.



# Motor Truck Scales

**RARE SCALE  
USED ON 12'  
WIDE AND DUMP  
SCALE**

**Kit No. F-519-K1, Old Style**

**Kit No. F-519-K2, Conversion** FB NEW # 96372

**Kit No. F-519-K3, New Style** FB NEW # 96373

50-Ton, 4-Section, Models 12257-12263, 26-Ton Sectional Capacity

Use These Kits With Scales Having Main Lever Casting #SD8F, SD8E, 83502, SD8D & SD8G

**FAIRBANKS**

RL PART #	EQUIV. FBKS #	DESCRIPTION	KIT #F-519-K1 OLD STYLE	*KIT #F-519-K2 CONVERSION	KIT #F-519-K3 NEW STYLE
F401.....	SD183K.....	BEARING.....	40.....	40.....	40.....
F414.....	SD183H.....	BEARING.....	16.....	16.....	16.....
F405N.....	SD194AMI.....	BEARING.....	12.....	2.....	2.....
F407P.....	SD253.....	PIVOT.....	40.....	40.....	40.....
F412P.....	SD255A.....	PIVOT.....	16.....	16.....	16.....
F410P.....	SD139A.....	PIVOT.....	12.....	12.....	12.....
F422.....	82499.....	BEARING.....	1.....	1.....	1.....
F423P.....	82498.....	PIVOT.....	1.....	1.....	1.....
F424.....	TX152.....	FRICTION PLATE.....	2.....	2.....	2.....
F751.....	83364.....	FRICTION PLATE.....	20.....	20.....	20.....
F474.....	86691.....	FRICTION PLATE.....	0.....	0.....	16.....
F472.....	86694.....	BEARING.....	0.....	10.....	10.....
F507**.....	86822.....	BEARING BLOCK.....	0.....	10.....	0.....
22002.....	#10-24 x 3/8.....	SCREWS.....	20.....	20.....	20.....
22005.....	1/4-20 x 1/2.....	SCREWS.....	10.....	10.....	10.....

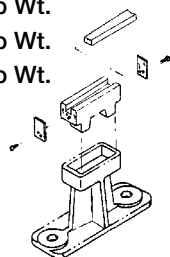
\*Need Main Lever Fulcrum Stand Number for Ordering the Correct Bearing Block

\*\*F507 Includes F474 Friction Plate

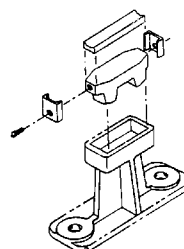
F-519-K1 **\$2,210.00** Sugg. List / 45 lb Ship Wt.

F-519-K2 **\$2,320.00** Sugg. List / 83 lb Ship Wt.

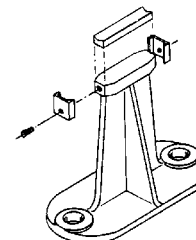
F-519-K3 **\$2,060.00** Sugg. List / 48 lb Ship Wt.



OLD STYLE



CONVERSION



NEW STYLE

**Kit No. F-517-K (With Chairs) or** FB NEW # 94084

**Kit No. F-518-K (Without Chairs)** FB NEW # 60079

Suspension Kit For F-519-K1, F-519-K2, F-519-K3

RL PART #	EQUIV. FBKS #	DESCRIPTION	KIT #F-517-K	KIT #F-518-K
F477CL.....	RC135, 87242.....	LINK.....	16.....	16.....
F503.....	80266, 87235.....	CHAIR.....	8.....	0.....
F505.....	80267, 87227.....	TRUNNION.....	8.....	8.....
F508.....	RC191A, 87218.....	SADDLE BLOCK.....	8.....	8.....

F-517-K **\$3,950.00** Sugg. List / 395 lb Ship Wt.

F-518-K **\$3,280.00** Sugg. List / 205 lb Ship Wt.

# Motor Truck Scales

**Kit No. F-464-K1, Old Style**

**Kit No. F-464-K2, Conversion** FB NEW # 60338

**Kit No. F-464-K3, New Style** FB NEW # 60339

50-Ton, 5-Section, Models 6514C & 11-3436

Use These Kits With Scales Having Main Lever Casting #80738, SG8D, SG8D2, SDC8, 87208

RL PART #	EQUIV. FBKS #	DESCRIPTION	KIT #F-464-K1 OLD STYLE	*KIT #F-464-K2 CONVERSION	KIT #F-464-K3 NEW STYLE
F401	SD183K	BEARING	54	54	54
F403	SG183A	BEARING	20	20	20
F405	SD194AMI	BEARING	16	4	0
F407P	SD253	PIVOT	54	54	54
F408P	SG255	PIVOT	20	20	20
F410P	SD139A	PIVOT	16	16	16
F422	82499	BEARING	1	1	0
F423P	82498	PIVOT	1	1	1
F424	TX152	FRICTION PLATE	2	2	2
F751	83364	FRICTION PLATE	24	24	24
F474	86691	FRICTION PLATE	0	0	32
F472	86694	BEARING	0	12	16
F507	86797	BEARING BLOCK	0	12	0
F557	86755	BEARING	0	0	1
22002	#10-24 x 3/8	SCREWS	22	22	22
22005	1/4-20 x 1/2	SCREWS	12	12	12

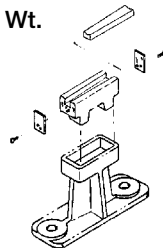
\*Need Main Lever Fulcrum Stand Number for Ordering the Correct Bearing Block

\*\*F507 Includes F474 Friction Plate

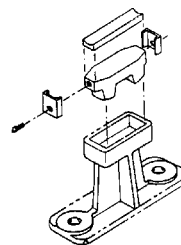
F-464-K1 **\$2,864.00** Sugg. List / 56 lb Ship Wt.

F-464-K2 **\$2,968.00** Sugg. List / 98 lb Ship Wt.

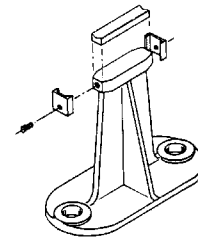
F-464-K3 **\$2,695.00** Sugg. List / 68 lb Ship Wt.



OLD STYLE



CONVERSION



NEW STYLE

**Kit No. F-547-K (With Chairs) or** FB NEW # 54047

**Kit No. F-473-K (Without Chairs)** FB NEW # 60200

Suspension Kit For F-464-K1, F464-K2, F-464-K3

RL PART #	EQUIV. FBKS #	DESCRIPTION	KIT #F-547-K	KIT #F-473-K
F477CL	RC135, 87242	LINK	20	20
F503	80266, 87235	CHAIR	10	0
F504	RC191, 87217	SADDLE BLOCK	10	10
F505	80267, 87227	TRUNNION	10	10

F-547-K **\$5,012.00** Sugg. List / 478 lb Ship Wt.

F-473-K **\$4,093.00** Sugg. List / 238 lb Ship Wt.

# Motor Truck Scales

## Kit No. F-455-K1, Old Style

## Kit No. F-455-K2, Conversion **FB NEW # 60340**

## Kit No. F-455-K3, New Style **FB NEW # 96370**

60-Ton 4-Section, 30-Ton Sectional Capacity, 50-Ton 4-Section With Main Lever #87380

Models 11-3381, 11-3382, 11-3383, 11-3342, 11-3344, 6516B OR 6517B

Use These Kits With Scales Having Main Lever Casting #SD8L, SD8K, SD8N, SD8LN & 87380

**FAIRBANKS**

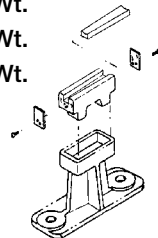
RL PART #	EQUIV. FBKS #	DESCRIPTION	KIT #F-455-K1 OLD STYLE	KIT #F-455-K2 CONVERSION	KIT #F-455-K3 NEW STYLE
F401	SD183K	BEARING	40	40	40
F404	SD183J	BEARING	16	16	16
F405	SD194AMI	BEARING	12	2	0
F407P	SD253	PIVOT	40	40	40
F409P	SD255C	PIVOT	16	16	16
F410P	SD139A	PIVOT	12	12	12
F422	82499	BEARING	1	1	0
F423P	82498	PIVOT	1	1	1
F424	TX152	FRICTION PLATE	2	2	2
F751	83364	FRICTION PLATE	20	20	20
F474	83391	FRICTION PLATE	0	0	26
F472	86694	BEARING	0	10	12
F507*	86822	BEARING BLOCK	0	10	0
F557	86755	BEARING	0	0	1
22002	#10-24 x 3/8	SCREWS	20	20	20
22005	1/4-20 x 1/2	SCREWS	10	10	10

\*F507 includes F474 Friction Plate

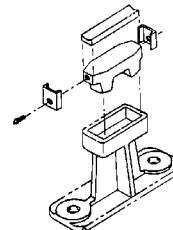
F-455-K1 **\$2,650.00** Sugg. List / 52 lb Ship Wt.

F-455-K2 **\$2,275.00** Sugg. List / 90 lb Ship Wt.

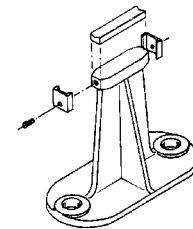
F-455-K3 **\$2,125.00** Sugg. List / 53 lb Ship Wt.



OLD STYLE



CONVERSION



NEW STYLE

## Kit No. F-480-K (With Chairs) or

## Kit No. F-481-K (Without Chairs) **FB NEW # 60198**

Suspension Kit For F-455-K1, F-455-K2, F-455-K3

RL PART #	EQUIV. FBKS #	DESCRIPTION	KIT #F-480-K	KIT #F-481-K
F478DL	RD135, 87243	LINK	16	16
F513	80270, 87228	TRUNNION	8	8
F514	87219, RD191	SADDLE BLOCK	8	8
F515	80269, 87236	CHAIR	8	0

F-480-K **\$5,476.00** Sugg. List / 642 lb Ship Wt.

F-481-K **\$4,778.00** Sugg. List / 295 lb Ship Wt.

# Motor Truck Scales

## Kit No. F-456-K1, Old Style

## Kit No. F-456-K2, Conversion **FB NEW # 60341**

## Kit No. F-456-K3, New Style **FB NEW # 96371**

60-Ton 5-Section, 30-Ton Sectional Capacity, 50-Ton Capacity With Main Lever #87380

Models 6518B, 6518, 11-3384, 11-3446, 11-3385, 11-3484

Use These Kits With Scales Having Main Lever Casting #SD8L, SD8K, SD8N, SD8LN & 87380

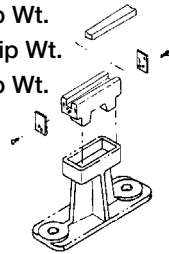
RL PART #	EQUIV. FBKS #	DESCRIPTION	KIT #F-456-K1 OLD STYLE	KIT #F-456-K2 CONVERSION	KIT #F-456-K3 NEW STYLE
F401	SD183K	BEARING	54	54	54
F404	SD183J	BEARING	20	20	20
F405	SD194AMI	BEARING	16	4	0
F407P	SD253	PIVOT	54	54	54
F409P	SD255C	PIVOT	20	20	20
F410P	SD139A	PIVOT	16	16	16
F422	82499	BEARING	1	1	0
F423P	82498	PIVOT	1	1	1
F424	TX152	FRICTION PLATE	2	2	2
F751	83364	FRICTION PLATE	24	24	24
F474	83391	FRICTION PLATE	0	0	24
F472	86694	BEARING	0	12	16
F507*	86822	BEARING BLOCK	0	12	0
F557	86755	BEARING	0	0	1
22002	#10-24 x 3/8	SCREWS	22	22	22
22005	1/4-20 x 1/2	SCREWS	12	12	0

\*F507 Includes F474 Friction Plate

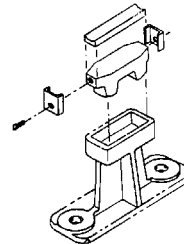
F-456-K1 **\$2,770.00** Sugg. List / 66 lb Ship Wt.

F-456-K2 **\$3,000.00** Sugg. List / 110 lb Ship Wt.

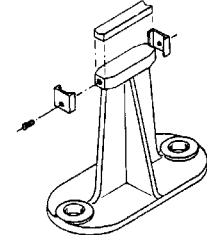
F-456-K3 **\$2,790.00** Sugg. List / 67 lb Ship Wt.



OLD STYLE



CONVERSION



NEW STYLE

## Kit No. F-478-K (With Chairs) or

## Kit No. F-479-K (Without Chairs) **FB NEW # 60199**

Suspension Kit For F-456-K1, F-456-K2, F-456-K3

RL PART #	EQUIV. FBKS #	DESCRIPTION	KIT #F-478-K	KIT #F-479-K
F478DL	RD135, 87243	LINK	20	20
F513	80270, 87228	TRUNNION	10	10
F514	RD191, 87219	SADDLE BLOCK	10	10
F515	80269, 87236	CHAIR	10	0

F-478-K **\$6,620.00** Sugg. List / 805 lb Ship Wt.

F-479-K **\$5,873.00** Sugg. List / 375 lb Ship Wt.

# Motor Truck Scales

## Kit No. F-462-K1, Old Style Kit No. F-462-K2, Conversion Kit No. F-462-K3, New Style

75-Ton 4-Section, 40-Ton Sectional Capacity, 60-Ton Capacity With Main Lever #87426  
Models 6520B, 6521B, 6523B, 11-3352, 11-3354, 11-3394, 14-3392

Use These Kits With Scales Having Main Lever Casting #74178, SH8MI, 87426

FAIRBANKS

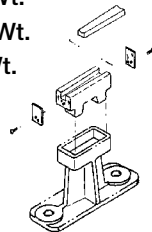
RL PART #	EQUIV. FBKS #	DESCRIPTION	KIT #F-462-K1 OLD STYLE	KIT #F-462-K2 CONVERSION	KIT #F-462-K3 NEW STYLE
F401	SD183K	BEARING	32	32	32
F407P	SD253	PIVOT	32	32	32
F411P	SH253	PIVOT	8	8	8
F415	56936MI	BEARING	12	0	0
F419P	SH139A	PIVOT	12	12	12
F420P	SH255A	PIVOT	16	16	16
F421	SH183E	BEARING	16	16	16
F422	82499	BEARING	1	1	1
F423P	82498	PIVOT	1	1	1
F424	TX152	FRICTION PLATE	2	2	2
F751	83364	FRICTION PLATE	20	20	20
F474	86691	FRICTION PLATE	0	0	26
F473	86754	BEARING	0	12	12
F534	74057	BEARING	8	8	8
F728*	86680, 87257	BEARING BLOCK	0	12	0
22002	#10-24 x 3/8	SCREWS	20	20	20
22005	1/4-20 x 1/2	SCREWS	10	10	10

\*F728 Includes F474 Friction Plate

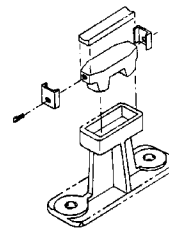
F-462-K1 **\$3,125.00** Sugg. List / 60 lb Ship Wt.

F-462-K2 **\$3,380.00** Sugg. List / 119 lb Ship Wt.

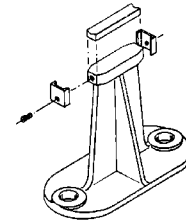
F-462-K3 **\$3,125.00** Sugg. List / 61 lb Ship Wt.



OLD STYLE



CONVERSION



NEW STYLE

## Kit No. F-548-K (With Chairs) or Kit No. F-496-K (Without Chairs) FB NEW # 60195

Suspension Kit For F-462-K1, F-462-K2, F-462-K3

RL PART #	EQUIV. FBKS #	DESCRIPTION	KIT #F-548-K	KIT #F-496-K
F478DL	RD135, 87243	LINK	16	16
F513	80270, 87228	TRUNNION BLOCK	8	8
F564	80253, 87220	SADDLE BLOCK	8	8
F713	80811, 87237	CHAIR	8	0

F-548-K **\$8,074.00** Sugg. List / 672 lb Ship Wt.

F-496-K **\$5,710.00** Sugg. List / 325 lb Ship Wt.

# Motor Truck Scales

## Kit No. F-463-K1, Old Style (86783)

## Kit No. F-463-K2, Conversion

## Kit No. F-463-K3, New Style

75-Ton & 80-Ton 5-Section, 40-Ton Sectional Capacity, 60-Ton 5-Section With Main Lever #87426

Models 11-3356, 11-3485, 11-3482, 6525B

Use These Kits With Scales Having Main Lever Casting #74178, SH8MI, 87426

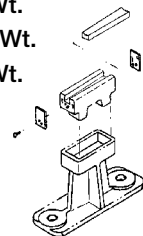
RL PART #	EQUIV. FBKS #	DESCRIPTION	KIT #F-463-K1 OLD STYLE	KIT #F-463-K2 CONVERSION	KIT #F-463-K3 NEW STYLE
F401	SD183K	BEARING	44	44	44
F405	SD194AMI	BEARING	1	0	0
F407P	SD253	PIVOT	44	44	44
F410P	SD139A	PIVOT	1	1	1
F411P	SH253	PIVOT	10	10	10
F415	56936MI	BEARING	15	0	0
F419P	SH139A	PIVOT	15	15	15
F420P	SH255A	PIVOT	20	20	20
F421	SH183	BEARING	20	20	20
F422	82499	BEARING	1	1	0
F557	86755	BEARING	0	0	1
F423P	82498	PIVOT	1	1	1
F424	TX152	FRICTION PLATE	2	2	2
F751	83364	FRICTION PLATE	24	24	24
F474	83391	FRICTION PLATE	0	0	32
F472	86694	BEARING	0	1	1
F473	86754	BEARING	0	15	15
F534	74057	BEARING	10	10	10
F728*	86680, 87257	BEARING BLOCK	0	15	0
22002	#10-24 x 3/8	SCREWS	22	22	22
22005	1/4-20 x 1/2	SCREWS	12	12	12

\*F728 Includes F474 Friction Plate

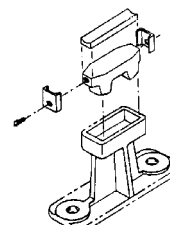
F-463-K1 **\$3,965.00** Sugg. List / 75 lb Ship Wt.

F-463-K2 **\$4,225.00** Sugg. List / 150 lb Ship Wt.

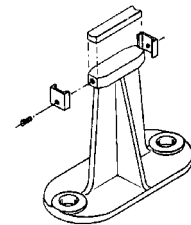
F-463-K3 **\$3,965.00** Sugg. List / 75 lb Ship Wt.



OLD STYLE



CONVERSION



NEW STYLE

## Kit No. F-497-K (Without Chairs)

Suspension Kit For F-463-K1, F463-K2, F463-K3

RL PART #	EQUIV. FBKS #	DESCRIPTION	KIT #F-497-K
F478DL	RD135, 87243	LINK	20
F513	80270, 87228	TRUNNION BLOCK	10
F564	80253, 87220	SADDLE BLOCK	10

F-497-K **\$7,063.00** sugg. List/406 lb Ship Wt.

# Motor Truck Scales

## Kit No. F-550-K

Type S, 120 Ton 4-Section, 60-Ton Sectional Capacity, 60 Ft. With Main Lever #87392

Models 11-3364, 11-3374 Full Mechanical Mult. 600:1

Models 14-3364, 14-3374 Lever Tronic Mult. 90:1

QTY.	RL PART #	EQUIV. FBKS #	DESCRIPTION
16.....	F712P .....	87391 .....	PIVOT, LOAD & FULCRUM
16.....	F789 .....	87390 .....	BEARING, LOAD & FULCRUM
32.....	F407P .....	SD253 .....	PIVOT, TIP
32.....	F401 .....	SD183K.....	BEARING, TIP
4.....	F473 .....	86754 .....	BEARING, FULCRUM
4.....	F419P .....	SH139 .....	PIVOT, FULCRUM
8.....	F411P .....	SH253 .....	PIVOT, LOAD
8.....	F534 .....	74057 .....	BEARING LOAD
1.....	F423P .....	82498 .....	PIVOT, FULCRUM
1.....	F557 .....	86755 .....	BEARING FULCRUM

**\$3,320.00** Sugg. List / 72 lb Ship Wt.

## Kit No. F-549-K

Type S, 120 Ton 5-Section, 60-Ton Sectional Capacity, 70 Ft. With Main Lever #87392

Models 11-3466, 11-3476 Full Mechanical Mult. 600:1

Models 14-3466, 14-3476 Lever Tronic Mult. 90:1

QTY.	RL PART #	EQUIV. FBKS #	DESCRIPTION
20.....	F712P .....	87391 .....	PIVOT, LOAD & FULCRUM
20.....	F789 .....	87390 .....	BEARING, LOAD & FULCRUM
44.....	F407P .....	SD253 .....	PIVOT, TIP
44.....	F401 .....	SD183K.....	BEARING, TIP
1.....	F410P .....	SD139A.....	PIVOT, FULCRUM
5.....	F473 .....	86754 .....	BEARING, FULCRUM
5.....	F419P .....	SH139 .....	PIVOT, FULCRUM
10.....	F411P .....	SH253 .....	PIVOT, LOAD
10.....	F543 .....	74057 .....	BEARING, LOAD
1.....	F423P .....	82498 .....	PIVOT, FULCRUM
2.....	F557 .....	86755 .....	BEARING, FULCRUM

**\$4,150.00** Sugg. List / 94 lb Ship Wt.

FAIRBANKS

# Motor Truck Scales

## HOLMAN STEEL PIPE LEVER TYPE

### Kit No. 34347

Holman Steel Pipe Lever Type, Pivot and Bearing Kit, 4-Section  
 Models 11-4306, 11-4311 Full Mechanical Mult.  
 Models 14-4306, 14-4311 Lever Tronic Mult.

QTY.	RL PART #	EQUIV. FBKS #	DESCRIPTION
20.....	10699 .....	90341 .....	BEARING, LOAD & FULCRUM
25.....	10763 .....	40-011-600 .....	PIVOT, LOAD & FULCRUM
5.....	10963 .....	40-008-600 .....	PIVOT, TIP
5.....	F787 .....	45-016-600 .....	BEARING, BLOCK ASSEMBLY, TIP
4.....	F788 .....	45-015-600 .....	BEARING, BLOCK ASSEMBLY, LOAD
28.....	15265 .....		PIN. SPRING

**\$2,525.00** Sugg. List / 80 lb Ship Wt.

### Kit No. 34348

Suspension Kit, 4 Section, with Steel Suspension

QTY.	RL PART #	EQUIV. FBKS #	DESCRIPTION
16.....	F782L .....	45-012-600 .....	LINKS
8.....	F783 .....	45-013-600 .....	SADDLE BLOCK
8.....	F776 .....	40-032-600 .....	TRUNNION

**\$3,400.00** Sugg. List / 330 lb Ship Wt.

### Kit No. F-516-K

Suspension Kit, 4 Section, with Cast Suspension

QTY.	RL PART #	EQUIV. FBKS #	DESCRIPTION
16.....	F478DL .....	RD135 87243 .....	LINK
8.....	F747 .....	85414 87222 .....	SADDLE BLOCK
8.....	F746 .....	85412 87230 .....	TRUNNION

**\$3,700.00** Sugg. List / 230 lb Ship Wt.

**FAIRBANKS**



# Motor Truck Scales

## HOLMAN STEEL PIPE LEVER TYPE

### Kit No. 34349

Holman Steel Pipe Lever Type, Pivot and Bearing Kit, 5 Sections  
 Models 11-4304, 11-4305, 11-4307 Full Mechanical Mult.  
 Models 14-4304, 14-4305, 14-4307 Lever Tronic Mult.

QTY.	RL PART #	EQUIV. FBKS #	DESCRIPTION
25.....	10699 .....	90341 .....	BEARING, LOAD & FULCRUM
30.....	10763 .....	40-011-600 .....	PIVOT, LOAD & FULCRUM
6.....	10963 .....	40-008-600 .....	PIVOT, TIP
6.....	F787 .....	45-016-600 .....	BEARING, BLOCK ASSEMBLY, TIP
5.....	F788 .....	45-015-600 .....	BEARING, BLOCK ASSEMBLY, LOAD
35.....	15265 .....	.....	PIN, SPRING

**\$3,156.00** Sugg. List / 95 lb Ship Wt.

### Kit No. 34350

Suspension Kit, 5 Section, with Steel Suspension

QTY.	RL PART #	EQUIV. FBKS #	DESCRIPTION
20.....	F782L .....	45-012-600 .....	LINKS
10.....	F783 .....	45-013-600 .....	SADDLE BLOCK
10.....	F776 .....	40-032-600 .....	TRUNNION

**\$4,250.00** Sugg. List / 400 lb Ship Wt.

### Kit No. 52214

Suspension Kit, 5 Section, with Cast Suspension

QTY.	RL PART #	EQUIV. FBKS #	DESCRIPTION
20.....	F478DL .....	RD135, 87243 .....	LINKS
10.....	F747 .....	85414, 87222 .....	SADDLE BLOCK
10.....	F746 .....	85412, 87230 .....	TRUNNION

**\$4,625.00** Sugg. List / 288 lb Ship Wt.

### Kit No. 71023

Holman Steel Pipe Lever Type, Pivot and Bearing  
 2-Section, Model 11-4300 and 4302, 14-4300 and 4302

QTY.	RL PART #	EQUIV. FBKS #	DESCRIPTION
12.....	10763 .....	40-011-600 .....	PIVOT, LOAD & FULCRUM
10.....	10699 .....	40-334-600 .....	BEARING, LOAD & FULCRUM
3.....	10963 .....	WR-281 .....	PIVOT, TIP
2.....	F788 .....	45-014-600 .....	TIP CONNECTION, UPPER
3.....	F787 .....	45-015-600 .....	TIP CONNECTION, LOWER
20.....	15265 .....	316-PL.....	ROLL PIN

**\$1,262.00** Sugg. List / 40 lb Ship Wt.

FAIRBANKS

# Motor Truck Scales

## HOLMAN STEEL PIPE LEVER TYPE

### Kit No. 71017

Suspension Kit, 2 Section with Steel Suspension

QTY.	RL PART #	EQUIV. FBKS #	DESCRIPTION
8.....	F782L .....	45-012-600 .....	LINKS
4.....	F783 .....	45-013-600 .....	SADDLE BLOCK
4.....	F776 .....	45-032-600 .....	TRUNNION

**\$1,700.00** Sugg. List / 165 lb Ship Wt.

### Kit No. 71018

Suspension Kit, 2 Section, with Cast Suspension

QTY.	RL PART #	EQUIV. FBKS #	DESCRIPTION
8.....	F478DL .....	RD135 87243 .....	LINKS
4.....	F747 .....	85414 87222 .....	SADDLE BLOCK
4.....	F746 .....	85412 87230 .....	TRUNION

**\$1,850.00** Sugg. List / 115 lb Ship Wt.

### Kit No. 71022

Holman Steel Pipe Lever Type, Pivot & Bearing. 3 Section  
Model 11-4303 and 14-4303

QTY.	RL PART #	EQUIV. FBKS #	DESCRIPTION
18.....	10763 .....	40-011-600 .....	PIVOT, LOAD & FULCRUM
15.....	10699 .....	40-334-600 .....	BEARING, LOAD & FULCRUM
4.....	10963 .....	WR281 .....	PIVOT, TIP
4.....	F787 .....	45-015-600 .....	TIP CONNECTION, LOWER
3.....	F788 .....	45-014-600 .....	TIP CONNECTION, UPPER
30.....	15265 .....	316PI .....	ROLL PINS

**\$1,894.00** Sugg. List / 60 lb Ship Wt.

### Kit No. 71016

Suspension Kit, 3 Section, with Steel Suspension

QTY.	RL PART #	EQUIV. FBKS #	DESCRIPTION
12.....	F782L .....	45-012-600 .....	LINKS
6.....	F783 .....	45-013-600 .....	SADDLE BLOCK
6.....	F776 .....	45-032-600 .....	TRUNNION

**\$2,550.00** Sugg. List / 250 lb Ship Wt.

### Kit No. 71019

Suspension Kit, 3 Section, with Cast Suspension

QTY.	RL PART #	EQUIV. FBKS #	DESCRIPTION
12.....	F478DL .....	RD135 87243 .....	LINKS
6.....	F747 .....	85414 .....	SADDLE BLOCK
6.....	F746 .....	85412 .....	TRUNNION

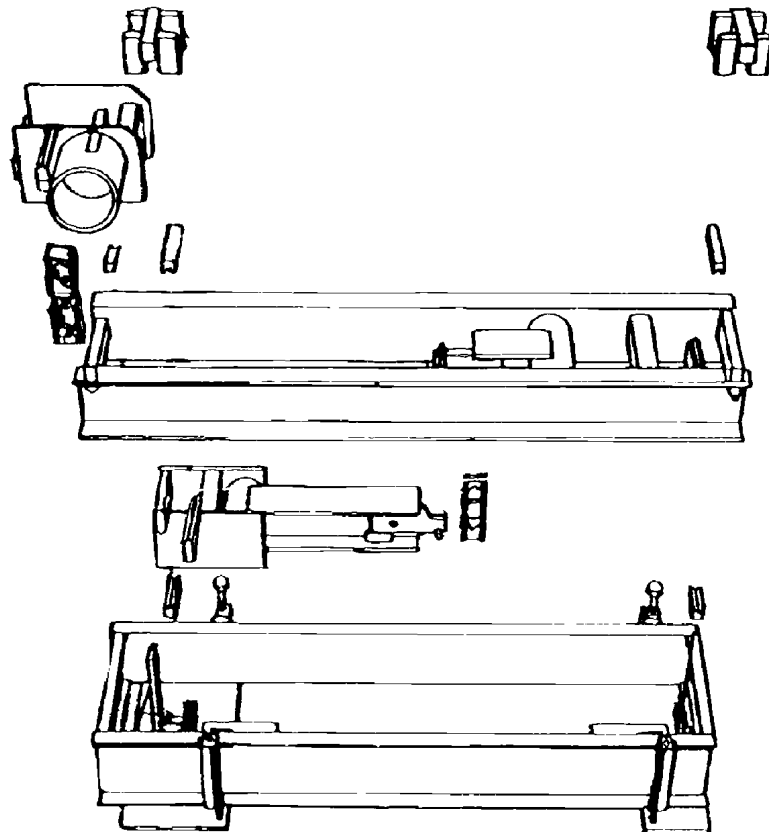
**\$2,775.00** Sugg. List / 173 lb Ship Wt.

FAIRBANKS

# Modular PV Truck Scales

## PIVOTS AND BEARINGS FOR MODULAR PV TRUCK SCALE

**Kit No. 49873**  
**Kit No. 49874**  
**Kit No. 49875**  
**Kit No. 49876**



**FAIRBANKS**

2-Section 8215, 8220, 8221, 8230 One Module 15' - 30'	3-Section 8240, 8241, 8245, 8246, 8250, 8251 Two Module 40' - 50'	4-Section 8260, 8261, 8265, 8266, 8270, 8271, 8275, 8276 Three Module 60' - 75'	5-Section 8280, 8281 Four Module 80'
---	---	--	---

RL PART #	EQUIV. FBKS #	DESCRIPTION	KIT #49873 2-SECTION	KIT #49874 3-SECTION	KIT #49875 4-SECTION	KIT #49876 5-SECTION
F752P	1382 -2	PIVOT	4	6	8	10
F458P	WR281	PIVOT	3	4	5	6
F457P	SG255A	PIVOT	4	6	8	10
F413P	1382 - 7	PIVOT	8	12	16	20
F465P	FG313	PIVOT	3	4	5	6
10699	N/A	BEARING	8	12	16	20
F761	86181	BEARING	8	12	16	20
F326	85309	BEARING	2	3	4	5

49873 **\$1,250.00** Sugg. List / 30 lb Ship Wt.  
 49874 **\$1,875.00** Sugg. List / 44 lb Ship Wt.  
 49875 **\$2,500.00** Sugg. List /58 lb Ship Wt.  
 49876 **\$3,125.00** Sugg. List / 72 lb Ship Wt.

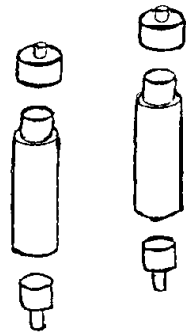
# Suspensions For Modular PV Truck Scale

## TYPE "A"

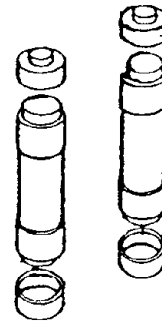
RL PART #	EQUIV. FBKS #	DESCRIPTION	KIT #49877 2-SECTION	KIT #49878 3-SECTION	KIT #49879 4-SECTION	KIT #49880 5-SECTION
10960.....	90284 .....	ROCKER PIN .....	8 .....	12 .....	16 .....	20 .....
10961.....	90280 .....	BOTTOM SEAT .....	8 .....	12 .....	16 .....	20 .....
10962.....	.....	BEARING CUP .....	8 .....	12 .....	16 .....	20 .....
49877		<b>\$1,600.00</b> Sugg. List / 40 lb Ship Wt.				
49878		<b>\$2,400.00</b> Sugg. List / 60 lb Ship Wt.				
49879		<b>\$3,200.00</b> Sugg. List / 80 lb Ship Wt.				
49880		<b>\$4,000.00</b> Sugg. List / 100 lb Ship Wt.				

## TYPE "B"

RL PART #	EQUIV. FBKS #	DESCRIPTION	KIT #49881 2-SECTION	KIT #49882 3-SECTION	KIT #49883 4-SECTION	KIT #49884 5-SECTION
22267.....	90329 .....	ROCKER PIN .....	8 .....	12 .....	16 .....	20 .....
10786.....	90240 .....	LOAD CUP .....	16 .....	24 .....	32 .....	40 .....
49881		<b>\$1,600.00</b> Sugg. List / 358 lb Ship Wt.				
49882		<b>\$2,400.00</b> Sugg. List / 536 lb Ship Wt.				
49883		<b>\$3,200.00</b> Sugg. List / 715 lb Ship Wt.				
49884		<b>\$4,000.00</b> Sugg. List / 894 lb Ship Wt.				



TYPE "A"



TYPE "B"

FAIRBANKS

# Portable Vehicle Scales

## Kit No. F-465-K

## Kit No. F-466-K

## Kit No. F-467-K

F-465K, 2-Section Models

2031-A-SF8 20'

2531-A-SF8 25'

3031-A-SF8 30'

F-466-K, 3-Section Models

3541-A-SF8 35'

3551-A-SF8 25'

F-467-K, 4-Section Models

4052-A-SF8 40'

5052-A-SF8 50'

6052-A-SF8 60'

With 6 1/2" Load & Fulcrum Pivots

RL PART #	EQUIV. FBKS #	DESCRIPTION	KIT #F-465-K 2-SECTION	KIT #F-466-K 3-SECTION	KIT #F-467-K 4-SECTION
F413P	1382A-7	PIVOT	8	12	16
F454P	1382A-6	PIVOT	4	6	8
F457P	1463A-1	PIVOT	3	4	5
F458P	1382A-2	PIVOT	3	3	3
F459	1514	BEARING	8	12	16
F460	1819	BEARING	2	3	4
F461	1612	BEARING	2	3	4
F462	1736	BEARING	2	3	4
F463	2195	BEARING	1	1	1
F464	2117	BEARING	3	3	3

F-465-K **\$1,300.00** Sugg. List / 52 lb Ship Wt.

F-466-K **\$1,950.00** Sugg. List / 70 lb Ship Wt.

F-467-K **\$2,600.00** Sugg. List / 86 lb Ship Wt.

FAIRBANKS

## Kit No. F-530-K

## Kit No. F-531-K

## Kit No. F-532-K

F-530-K, 2-Section

F-531-K, 3-Section

F-532K, 4-Section

With 5" Load & Fulcrum Pivots

RL PART #	EQUIV. FBKS #	DESCRIPTION	KIT #F-530-K 2-SECTION	KIT #F-531-K 3-SECTION	KIT #F-532-K 4-SECTION
F466P	1463A-5	PIVOT	8	12	16
F454P	1382A-6	PIVOT	4	6	8
F457P	1463A-1	PIVOT	3	4	5
F781		BEARING	8	12	16
F460	1819	BEARING	2	3	4
F461	1612	BEARING	2	3	4
F462	1736	BEARING	2	3	4
F463	2117	BEARING	1	1	1

F-530-K **\$1,200.00** Sugg. List / 37 lb Ship Wt.

F-531-K **\$1,800.00** Sugg. List / 56 lb Ship Wt.

F-532-K **\$2,400.00** Sugg. List / 74 lb Ship Wt.

# Portable Vehicle Scales

These Fairbanks Portable Contractor Scales come in a few different configurations:

1. 5" Load & Fulcrum Pivots (Light Duty) or 6 1/2" Load & Fulcrum Pivots (Heavy Duty)
2. Steel Fabricated Suspension System or Cast Suspension
  - A. The Steel Fabricated come in 3 1/2" Saddle Blocks (Light Duty) or 5" Saddle Blocks (Heavy Duty)
  - B. The Cast Suspension come in 3 1/2" (Light Duty) or 5" (Heavy Duty)

These items have to be known in order to identify the right kits.

## With Steel Suspension

### Light Duty Steel

RL PART #	DESCRIPTION	KIT #F-508-K 2-SECTION	KIT #F-509-K 3-SECTION	KIT #F-510-K 4-SECTION
F721L.....	LINK.....	8.....	12.....	16
F722.....	SADDLE BLOCK 3 1/2" LONG.....	4.....	6.....	8
F723.....	TRUNNION.....	4.....	6.....	8

F-508-K **\$1,815.00** Sugg. List / 92 lb Ship Wt.  
 F-509-K **\$2,717.00** Sugg. List / 137 lb Ship Wt.  
 F-510-K **\$3,630.00** Sugg. List / 185 lb Ship Wt.

### Heavy Duty Steel

RL PART #	EQUIV. FBKS #	DESCRIPTION	KIT #F-511-K 2-SECTION	KIT #F-512-K 3-SECTION	KIT #F-513-K 4-SECTION
F724.....	1817.....	SADDLE BLOCK 5" LNG.....	4.....	6.....	8
F725.....	1517.....	TRUNNION.....	4.....	6.....	8
F727L.....	1510.....	LINK.....	8.....	12.....	16

F-511-K **\$1,914.00** Sugg. List / 130 lb Ship Wt.  
 F-512-K **\$2,882.00** Sugg. List / 192 lb Ship Wt.  
 F-513-K **\$3,740.00** Sugg. List / 260 lb Ship Wt.

## With Cast Suspension

### Light Duty Cast

RL PART #	EQUIV. FBKS #	DESCRIPTION	KIT #F-528-K 2-SECTION	KIT #F-529-K 4-SECTION
F478DL.....	RD135, 87243.....	LINK.....	8.....	16
F749.....	85413.....	SADDLE BLOCK 3 1/2" LONG.....	4.....	8
F746.....	85412.....	TRUNNION.....	4.....	8

F-528-K **\$1,860.00** Sugg. List / 110 lb Ship Wt.  
 F-529-K **\$3,780.00** Sugg. List / 220 lb Ship Wt.

### Heavy Duty Cast Suspension

RL PART #	EQUIV. FBKS #	DESCRIPTION	KIT #F-515-K 2-SECTION	KIT #F-516-K 4-SECTION
F478DL.....	RD135, 87243.....	LINK.....	8.....	16
F747.....	85414.....	SADDLE BLOCK 5" LONG.....	4.....	8
F746.....	85412.....	TRUNNION.....	4.....	8

F-515-K **\$1,850.00** Sugg. List / 112 lb Ship Wt.  
 F-516-K **\$3,700.00** Sugg. List / 224 lb Ship Wt.

**FAIRBANKS**

# Fairbanks Railroad Kits

## \*Kit No. F-487-RK

Equiv. Fairbanks #1-13913, Type S-9-50, 200,000 lb Capacity, 50-Ton Sectional  
46 Ft. Model 6800 & 50 Ft. Model 680, Main Lever # TU8R

QTY	RL PART #	EQUIV. FBKS #	SIZE	DESCRIPTION
16.....	F1610RRP .....	TU125-C	3/4" x 1 1/2" x 4 1/2"	PIVOT, MAIN LEVER LOAD
8.....	F1614RRP .....	TU139-B	3/4" x 1 3/4" x 9 3/8"	PIVOT, MAIN LEVER FULCRUM
8.....	F1586RRP .....	TU259-G	3/4" x 1 1/2" x 3 1/4"	PIVOT, MAIN LEVER TIP
2.....	F1584RRP .....	TU259-H	3/4" x 1 1/2" x 6 1/2"	PIVOT, END LEVER LOAD
2.....	F1585RRP .....	TU259-J	3/4" x 1 1/2" x 8"	PIVOT, END LEVER FULCRUM
2.....	F1557RRP .....	SM234-D	3/4" x 1 1/4" x 4"	PIVOT, END LEVER NOSE IRON
2.....	F1584RRP .....	TU259-H	3/4" x 1 1/2" x 6 1/2"	PIVOT, CENTER LEVER LOAD
2.....	F1585RRP .....	TU259-J	3/4" x 1 1/2" x 8"	PIVOT, CENTER LEVER FULCRUM
2.....	F1557RRP .....	SM234-D	3/4" x 1 1/4" x 4"	PIVOT, CENTER LEVER NOSE IRON
4.....	F1560RRP .....	SM210-H	3/4" x 1 1/2" x 1 1/4"	PIVOT, CENTER LEVER NOSE IRON
2.....	F1574RRP .....	SM139-Z	3/4" x 1 1/2" x 2"	PIVOT, TRANSVERSE LEVER LOAD
1.....	F1556RRP .....	TU259-F	3/4" x 1 1/2" x 9"	PIVOT, TRANSVERSE LEVER FULCRUM
2.....	F1560RRP .....	SM210-H	3/4" x 1 1/2" x 1 1/4"	PIVOT, TRANSVERSE LEVER NOSE IRON
2.....	F1558RRP .....	SM210-E	3/4" x 1 1/2" x 1 1/4"	PIVOT, SHELF-LEVER LOAD
2.....	F1558RRP .....	SM210-E	3/4" x 1 1/2" x 1 1/4"	PIVOT, SHELF-LEVER TIP
1.....	F1561RRP .....	SQ139-N	3/4" x 1 1/2" x 5 3/16"	PIVOT, SHELF-LEVER FULCRUM
16.....	F1562RR.....	76990	1 7/8" x 1 3/4" x 1 3/4"	BLOCK, GIRDER CHAIR
16.....	F1605RR.....	TU46-C	3/4" x 3/4" x 4 5/8"	BEARING, MAIN BLOCK
8.....	F1602RR.....	S6N46-F	1" x 3/4" x 3 3/8"	B.B. TIP OF MAIN LEVER
4.....	F1606RR.....	TU46-D	1" x 3/4" x 6 5/8"	BEARING, EXT LEVER LOAD
4.....	F1566RR.....	SM46-T	1" x 11/16" x 4 1/8"	BEARING, END & CENTER LEVER
10.....	F1567RR.....	SM415-B	3/4" x 1" x 1 3/8"	BEARING, FIFTH LEVER CONNECTOR
2.....	F1568RR.....	SM414-A	1" x 1" x 2 1/16"	BEARING, FIFTH LEVER BLOCK
1.....	F1569RR.....	LX392-B	5/8" x 11/16" x 5 5/16"	BEARING, SHELF-LEVER BLOCK
8.....	F1571RR.....	SQ138-A & TU194-B	3/4" x 1" x 9 1/8"	BEARING, MAIN LEVER STAND
2.....	F1612RR.....	TU138-B	3/4" x 1" x 8 1/8"	BEARING, END LEVER STAND
2.....	F1612RR.....	TU138-B	3/4" x 1" x 8 1/8"	BEARING, CENTER LEVER STAND
1.....	F1572RR.....	SQ278-A	1" x 11/16" x 9 1/8"	BEARING, FIFTH LEVER STAND

**\$12,150.00** Sugg. List / 170 lb Ship Wt.

FAIRBANKS

# Fairbanks Railroad Kits

## Kit No. F-488-RK

Equiv. Fairbanks #1-38044, Type S-10-60, 240,000 lb Capacity, 60-Ton Sectional  
50 Ft. Model 6805, 56 Ft. Model 6806, 60 Ft. Model 6806, Main Lever #ST8K

QTY	RL PART #	EQUIV. FBKS #	SIZE	DESCRIPTION
16.....	F1618RRP .....	ST139-R	3/4" x 1 1/2" x 5"	PIVOT, MAIN LEVER LOAD
8.....	F1619RRP .....	ST139-T	3/4" x 1 1/2" x 10 1/2"	PIVOT, MAIN LEVER FULCRUM
8.....	F1615RRP .....	SW139-C	3/4" x 1 1/2" x 3 1/2"	PIVOT, MAIN LEVER TIP
2.....	F1555RRP .....	TU259-C	3/4" x 1 1/2" x 7 1/2"	PIVOT, END LEVER LOAD
2.....	F1556RRP .....	TU259-F	3/4" x 1 1/2" x 9"	PIVOT, END LEVER FULCRUM
2.....	F1557RRP .....	SM234-D	3/4" x 1 1/4" x 4"	PIVOT, END LEVER NOSE IRON
2.....	F1555RRP .....	TU259-C	3/4" x 1 1/2" x 7 1/2"	PIVOT, CENTER LEVER LOAD
2.....	F1556RRP .....	TU259-F	3/4" x 1 1/2" x 9"	PIVOT, CENTER LEVER FULCRUM
2.....	F1557RRP .....	SM234-D	3/4" x 1 1/4" x 4"	PIVOT, CENTER LEVER NOSE IRON
4.....	F1560RRP .....	SM210-H	3/4" x 1 1/2" x 1 1/4"	PIVOT, CENTER LEVER NOSE IRON
2.....	F1574RRP .....	SM139-Z	3/4" x 1 1/2" x 2"	PIVOT, TRANSVERSE LEVER LOAD
1.....	F1556RRP .....	TU259-F	3/4" x 1 1/2" x 9"	PIVOT, TRANSVERSE LEVER FULCRUM
2.....	F1560RRP .....	SM210-H	3/4" x 1 1/2" x 1 1/4"	PIVOT, TRAN LEVER NOSE IRON
2.....	F1558RRP .....	SM210-E	3/4" x 1 1/2" x 1 1/4"	PIVOT, SHELF-LEVER LOAD
2.....	F1558RRP .....	SM210-E	3/4" x 1 1/2" x 1 1/4"	PIVOT, SHELF-LEVER TIP
1.....	F1561RRP .....	SQ139-N	3/4" x 1 1/2" x 5 3/16"	PIVOT, SHELF-LEVER FULCRUM
16.....	F1562RR .....	76990	1 7/8" x 1 3/4" x 1 3/4"	BLOCK, GIRDER CHAIR
16.....	F1608RR .....	ST46-N	3/4" x 3/4" x 5 1/8"	BEARING, MAIN BLOCK
8.....	F1601RR .....	S6N46-C	1" x 3/4" x 3 5/8"	B.B. TIP OF MAIN LEVER
4.....	F1565RR .....	SP46-H	1" x 3/4" x 7 5/8"	BEARING, EXT LEVER LOAD
4.....	F1566RR .....	SM46-T	1" x 11/16" x 4 1/8"	END & CENTER LEVER
10.....	F1567RR .....	SM415-B	3/4" x 1" x 1 3/8"	FIFTH LEVER CONNECTOR
2.....	F1568RR .....	SM414-A	1" x 1" x 2 1/16"	BEARING, FIFTH LEVER BLOCK
1.....	F1569RR .....	LX392-B	5/8" x 11/16" x 5 5/16"	BEARING, SHELF-LEVER BLOCK
8.....	F1607RR .....	ST46-M	3/4" x 1" x 10 5/8"	MAIN LEVER STAND
2.....	F1571RR .....	SQ138-A	3/4" x 1" x 9 1/8"	END LEVER STAND
2.....	F1571RR .....	SQ138-A	3/4" x 1" x 9 1/8"	CENTER LEVER STAND
1.....	F1572RR .....	SQ278-S	1" x 11/16" x 9 1/8"	FIFTH LEVER STAND

**\$13,335.00** Sugg. List / 180 lb Ship Wt.

**FAIRBANKS**



# Fairbanks Railroad Kits

## Kit No. F-489-RK

Equiv. Fairbanks #1-13914, 300,000 lb Capacity, 75-Ton Sectional, Type S-12 1/2-75  
50 Ft. Model 6810, 56 Ft. Model 6811, 60 Ft. Model 6812, Main Lever #SQ8B, SQ8F, SQ8S

QTY	RL PART #	EQUIV. FBKS #	SIZE	DESCRIPTION
16.....	F1552RRP .....	84874B	3/4" x 1 1/2" x 6 1/4"	PIVOT, MAIN LEVER LOAD
8.....	F1553RRP .....	84874AK	3/4" x 1 1/2" x 11 1/2"	PIVOT, MAIN LEVER FULCRUM
8.....	F1554RRP .....	84874S	3/4" x 1 1/2" x 4"	PIVOT, MAIN LEVER TIP
4.....	F1555RRP .....	84874H	3/4" x 1 1/2" x 7 1/2"	END & CENTER LEVER LOAD
5.....	F1556RRP .....	84874Y	3/4" x 1 1/2" x 9"	END & CENTER LEVER FULCRUM
4.....	F1557RRP .....	84874AH	3/4" x 1 1/4" x 4"	END & CENTER LEVER NOSE
6.....	F1560RRP .....	SM210-H	3/4" x 1 1/2" x 1 1/4"	CENTER & TRANSVERSE LEVER NOSE
2.....	F1559RRP .....	SM139AN	3/4" x 1 1/2" x 2"	PIVOT, TRANSVERSE LEVER LOAD
4.....	F1558RRP .....	84874P	3/4" x 1 1/2" x 1 1/4"	SHELF-LEVER LOAD & TIP
1.....	F1561RRP .....	84874AG	3/4" x 1 1/2" x 5 3/16"	PIVOT, SHELF-LEVER FULCRUM
16.....	F1562RR .....	76990	1 7/8" x 1 3/4" x 1 3/4"	BLOCK, GIRDER CHAIR
16.....	F1563RR .....	84873B	3/4" x 3/4" x 6 3/8"	MAIN BEARING BLOCK
8.....	F1564RR .....	S2LF138-C	1" x 3/4" x 4 1/8"	BEARING BLOCK TIP, MAIN
4.....	F1565RR .....	84873H	1" x 3/4" x 7 5/8"	END EXTENSION LOAD
4.....	F1566RR .....	SM46-T	1" x 11/16" x 4 1/8"	END EXTENSION LEVER
8.....	F1567RR .....	SM415-B	3/4" x 1" x 1 3/8"	FIFTH LEVER CONNECTION
2.....	F1568RR .....	SM414-A	1" x 1" x 2 1/16"	FIFTH LEVER BEARING BLOCK
1.....	F1569RR .....	LX392-B	5/8" x 11/16" x 5 5/16"	BEARING, SHELF-LEVER BLOCK
8.....	F1570RR .....	SQ46-Q	3/4" x 1" x 11 5/8"	MAIN LEVER STAND
4.....	F1571RR .....	SQ138A	3/4" x 1" x 9 1/8"	END & CENTER LEVER STAND
1.....	F1572RR .....	SQ278A	1" x 11/16" x 9 1/8"	FIFTH LEVER STAND

**\$14,100.00** Sugg. List / 180 lb Ship Wt.

## Kit No. F-541-RK

Suspension Kit For F-489-RK

QTY	RL PART #	EQUIV. FBKS #	DESCRIPTION
16.....	F1678RR.....	SQ143	LINK
8.....	F1679RR.....	SQ191E	SADDLE BLOCK
8.....	F1680RR.....	SQ9A	CROSS BAR
16.....	F1681RR.....	SQ155	WEDGE
16.....	F1682RR.....	SQ3050	SCREW

**\$18,450.00** Sugg. List / 1355 lb Ship Wt.

Chairs Are Available, But Not Included In Kits

8.....F1706RR.....SQ186S PARALLEL LINK CHAIRS

Call 715-234-9171 for T-Bolt Chairs

FAIRBANKS

# Fairbanks Railroad Kits

## Kit No. F-490-RK

Equiv. Fairbanks #1-39939-1, 300,000 lb Capacity, 75-Ton Sectional, Type S-15-75  
50 Ft. Model 6815, 56 Ft. Model 6816, 60 Ft. Model 6817, Main Lever Casting #SP8E

QTY	RL PART #	EQUIV. FBKS #	SIZE	DESCRIPTION
16	F1578RRP	SP139-H	1" x 2" x 7 1/2"	PIVOT, MAIN LEVER LOAD
8	F1577RRP	SP139-J	1" x 2" x 11 1/2"	PIVOT, MAIN LEVER FULCRUM
8	F1576RRP	SP139-G	1" x 2" x 4 1/2"	PIVOT, MAIN LEVER TIP
2	F1578RRP	SP139-L	1" x 2" x 7 1/2"	PIVOT, END LEVER LOAD
2	F1575RRP	SP248-A	1" x 2" x 9 1/2"	PIVOT, END LEVER FULCRUM
2	F1557RRP	SM234-D	3/4" x 1 1/4" x 4"	PIVOT, END LEVER NOSE IRON
2	F1578RRP	SP139-L	1" x 2" x 7 1/2"	PIVOT, CENTER LEVER LOAD
2	F1575RRP	SP248-A	1" x 2" x 9 1/2"	PIVOT, CENTER LEVER FULCRUM
2	F1557RRP	SM234-D	3/4" x 1 1/4" x 4"	PIVOT, CENTER LEVER NOSE IRON
2	F1560RRP	SM210-H	3/4" x 1 1/2" x 1 1/4"	PIVOT, CENTER LEVER NOSE IRON
2	F1574RRP	SM139-Z	3/4" x 1 1/2" x 2"	PIVOT, TRANSVERSE LEVER LOAD
1	F1573RRP	SM249-B	3/4" x 1 1/2" x 12"	PIVOT, TRANSVERSE LEVER FULCRUM
4	F1560RRP	SM210-H	3/4" x 1 1/2" x 1 1/4"	PIVOT, TRANSVERSE LEVER NOSE IRON
2	F1558RRP	SM210-E	3/4" x 1 1/2" x 1 1/4"	PIVOT, SHELF-LEVER NOSE IRON
2	F1558RRP	SM210-E	3/4" x 1 1/2" x 1 1/4"	PIVOT, SHELF-LEVER TIP
1	F1561RRP	SQ139-N	3/4" x 1 1/2" x 5 3/16"	PIVOT, SHELF-LEVER FULCRUM
16	F1562RR	76990	1 7/8" x 1 3/4" x 1 3/4"	BLOCK, GIRDER CHAIR
16	F1565RR	SP46-H	1" x 3/4" x 7 5/8"	BEARING, MAIN BLOCK
8	F1581RR	SP407-A	1" x 2 5/8" x 4 5/8"	BEARING BLOCK TIP OF MAIN
4	F1565RR	SP46-H	1" x 3/4" x 7 5/8"	EXTENSION LEVER LOAD
4	F1566RR	SM46-T	1" x 11/16" x 4 1/8"	END & CENTER LEVERS
8	F1567RR	SM415-B	3/4" x 1" x 1 3/8"	FIFTH LEVER CONNECTOR
2	F1568RR	SM414-A	1" x 1" x 2 1/16"	FIFTH LEVER BEARING BLOCK
1	F1569RR	LX392-B	5/8" x 11/16" x 5 5/16"	BEARING, SHELF-LEVER BLOCK
8	F1583RR	SP46-J	1 1/4" x 1 1/4" x 11 5/8"	MAIN LEVER STAND
2	F1582RR	SP46-F	1 1/4" x 1 1/4" x 9 5/8"	END LEVER STAND
2	F1582RR	SP46-F	1 1/4" x 1 1/4" x 9 5/8"	CENTER LEVER STAND
1	F1579RR	SM278-B	1" x 11/16" x 12 1/8"	FIFTH LEVER STAND

**\$16,410.00** Sugg. List / 286 lb Ship Wt.

## Kit No. F-542-RK

Suspension Kit For F-490-RK

QTY	RL PART #	EQUIV. FBKS #	DESCRIPTION
16	F1678RR	SQ143	LINK
8	F1680RR	SQ9A	CROSS BAR
8	F1692RR	SP191C	SADDLE BLOCK
16	F1681RR	SQ155	WEDGE
16	F1682RR	SQ3050	SCREW

**\$18,700.00** Sugg. List / 1370 lb Ship Wt.

Chairs Are Available, But Not Included In Kits  
PARALLEL LINK CHAIRS

8.....F1691RR.....SP186R

Call 715-234-9171 for T-Bolt Chairs

**FAIRBANKS**

# Fairbanks Railroad Kits

## Kit No. F-491-RK

400,000 lb Capacity, 100-Ton Sectional, Type S-20-100, 50 Ft. Model 6820, 56 Ft. Model 6821,  
60 Ft. Model 6822, 66 Ft. Model 6823, 72 Ft. Model 6824, Main Lever Casting #SM8E

QTY	RL PART #	EQUIV. FBKS #	SIZE	DESCRIPTION
16.....	F1620RRP .....	SM139-V	1" x 2" x 10"	PIVOT, MAIN LEVER LOAD
8.....	F1621RRP .....	SM139-W	1" x 2" x 16"	PIVOT, MAIN LEVER FULCRUM
8.....	F1622RRP .....	SM139-X	1" x 2" x 5"	PIVOT, MAIN LEVER TIP
2.....	F1627RRP .....	SM247-B	1" x 2" x 12 3/4"	PIVOT, END LEVER FULCRUM
2.....	F1623RRP .....	SM139-Y	1" x 2" x 10"	PIVOT, END LEVER LOAD
2.....	F1557RRP .....	SM234-D	3/4" x 1 1/4" x 4"	PIVOT, END LEVER NOSE IRON
2.....	F1627RRP .....	SM247-B	1" x 2" x 12 3/4"	PIVOT, CENTER LEVER FULCRUM
2.....	F1623RRP .....	SM139-Y	1" x 2" x 10"	PIVOT, CENTER LEVER LOAD
2.....	F1557RRP .....	SM234-D	3/4" x 1 1/4" x 4"	PIVOT, CENTER LEVER NOSE IRON
2.....	F1560RRP .....	SM210-H	3/4" x 1 1/2" x 1 1/4"	PIVOT, CENTER LEVER NOSE IRON
2.....	F1574RRP .....	SM139-Z	3/4" x 1 1/2" x 2"	PIVOT, TRANSVERSE LEVER LOAD
1.....	F1573RRP .....	SM249-B	3/4" x 1 1/2" x 12"	PIVOT, TRANSVERSE LEVER FULCRUM
4.....	F1560RRP .....	SM210-H	3/4" x 1 1/2" x 1 1/4"	PIVOT, TRANSVERSE LEVER NOSE IRON
2.....	F1558RRP .....	SM210-E	3/4" x 1 1/2" x 1 1/4"	PIVOT, SHELF-LEVER LOAD
2.....	F1558RRP .....	SM210-E	3/4" x 1 1/2" x 1 1/4"	PIVOT, SHELF-LEVER TIP
1.....	F1561RRP .....	SQ139-N	3/4" x 1 1/2" x 5 3/16"	PIVOT, SHELF-LEVER FULCRUM
16.....	F1587RR.....	77117	1 7/8" x 1 3/4" x 2 1/4"	BLOCK, GIRDER CHAIR
16.....	F1600RR.....	SM46-Y	1" x 3/4" x 10 1/8"	MAIN BEARING BLOCK
8.....	F1631RR.....	SM407-A	1" x 3 1/4" x 5 1/8"	BEARING BLOCK, TIP OR MAIN
4.....	F1600RR.....	SM46-Y	1" x 3/4" x 10 1/8"	BEARING, EXT LEVER LOAD
4.....	F1566RR.....	SM46-T	1" x 11/16" x 4 1/8"	END & CENTER LEVERS
10.....	F1567RR.....	SM415-B	3/4" x 1" x 1 3/8"	FIFTH LEVER CONNECTION
2.....	F1568RR.....	SM414-A	1" x 1" x 2 1/16"	BEARING, FIFTH LEVER BLOCK
1.....	F1569RR.....	LX392-B	5/8" x 11/16" x 5 5/16"	BEARING, SHELF-LEVER BLOCK
8.....	F1609RR.....	SM46-Z	1 1/4" x 1 1/4" x 16 1/8"	MAIN LEVER STAND
2.....	F1604RR.....	SM46-AA	1 1/4" x 1 1/4" x 12 7/8"	END LEVER STAND
2.....	F1604RR.....	SM46-AA	1 1/4" x 1 1/4" x 12 7/8"	CENTER LEVER STAND
1.....	F1579RR.....	SM278-B	1" x 11/16" x 12 1/8"	FIFTH LEVER STAND

**\$20,550.00** Sugg. List / 400 lb Ship Wt.

## Kit No. F-543-RK

Suspension Kit For F-491-RK

QTY	RL PART #	EQUIV. FBKS #	DESCRIPTION
16.....	F1682RR.....	SQ3050	SCREW
16.....	F1683RRL.....	SM143	LINK
8.....	F1684RR.....	SM191C	SADDLE BLOCK
8.....	F1685RR.....	SM9E	CROSS BAR
16.....	F1686RR.....	SM155	WEDGE

**\$23,700.00** Sugg. List/ 1324 lb Ship Wt.

Chairs Are Available, But Not Included In Kits

8.....CALL.....SM186T

PARALLEL LINK CHAIRS

Call 715-234-9171 for T-Bolt Chairs

FAIRBANKS

# Fairbanks Railroad Kits

## Kit No. F-500-RK

400,000 lb Capacity, 150-Ton Sectional, Type S-25-150, 60 Ft. Model 6830, Main Lever #SC8M

QTY	RL PART #	EQUIV. FBKS #	SIZE	DESCRIPTION
16.....	F1638RRP	SC255	1" x 2" x 12 1/2"	PIVOT, MAIN LEVER LOAD
8.....	F1635RRP	SC139	1" x 2" x 20"	PIVOT, MAIN LEVER FULCRUM
8.....	F1639RRP	SC259	1" x 2" x 7 1/4"	PIVOT, MAIN LEVER TIP
2.....	F1637RRP	SC248	1" x 2" x 14 1/2"	PIVOT, END LEVER LOAD
2.....	F1637RRP	SC248	1" x 2" x 14 1/2"	PIVOT, END LEVER FULCRUM
2.....	F1557RRP	SM234-D	3/4" x 1 1/4" x 4"	PIVOT, END LEVER NOSE IRON
2.....	F1637RRP	SC248	1" x 2" x 14 1/2"	PIVOT, CENTER LEVER LOAD
2.....	F1636RRP	SC247	1" x 2" x 18"	PIVOT, CENTER LEVER FULCRUM
2.....	F1557RRP	SM234-D	3/4" x 1 1/4" x 4"	PIVOT, CENTER LEVER NOSE IRON
2.....	F1654RRP	SM210-F	3/4" x 1 1/2" x 1 5/16"	PIVOT, CENTER LEVER NOSE IRON
2.....	F1640RRP	SC238	3/4" x 1 1/2" x 2 1/4"	PIVOT, TRANSVERSE LEVER LOAD
1.....	F1573RRP	SM249-B	3/4" x 1 1/2" x 12"	PIVOT, TRANSVERSE LEVER FULCRUM
4.....	F1560RRP	SM210-H	3/4" x 1 1/2" x 1 1/4"	PIVOT, TRANSVERSE LEVER NOSE IRON
2.....	F1558RRP	SM210-E	3/4" x 1 1/2" x 1 1/4"	PIVOT, SHELF LEVER LOAD
2.....	F1558RRP	SM210-E	3/4" x 1 1/2" x 1 1/4"	PIVOT, SHELF LEVER TIP
1.....	F1561RRP	SQ139-N	3/4" x 1 1/2" x 5 3/16"	PIVOT, SHELF LEVER FULCRUM
16.....	F1652RR	SC771	3" x 1 3/4" x 2 1/4"	BLOCK, GIRDER CHAIR
16.....	F1641RR	SC353	1 1/4" x 1 1/4" x 12 5/8"	BEARING, MAIN LEVER LOAD
8.....	F1653RR	73935	1/2" x 5/8" x 7 3/8"	BEARING BLOCK, TIP OR MAIN LEVER
4.....	F1642RR	SC138	1 1/4" x 1 1/4" x 14 5/8"	BEARING, EXTENSION LEVER LOAD
4.....	F1566RR	SM46-T	1" x 11/16" x 4 1/8"	BEARING, END & CENTER LEVER
4.....	F1647RR	SC415	3/4" x 1 1/2" x 1 3/8"	BEARING, FIFTH LEVER CONNECTOR
2.....	F1648RR	SC414	1" x 1 1/2" x 2 5/16"	BEARING, FIFTH LEVER BLOCK
1.....	F1569RR	LX392-B	5/8" x 11/16" x 5 5/16"	BEARING, SHELF LEVER BLOCK
8.....	F1567RR	SM415-B	3/4" x 1" x 1 3/8"	BEARING, SHELF LEVER BLOCK
8.....	F1644RR	SC194	1 1/4" x 1 1/4" x 20 1/8"	BEARING, MAIN LEVER STAND
2.....	F1642RR	SC138	1 1/4" x 1 1/4" x 14 5/8"	BEARING, END LEVER STAND
2.....	F1643RR	SC46	1 1/4" x 1 1/4" x 18 1/8"	BEARING, CENTER LEVER STAND
1.....	F1645RR	SM278-B	1" x 11/16" x 12 1/8"	BEARING, FIFTH LEVER STAND

**\$25,590.00** Sugg. List / 530 lb Ship Wt.

Call 715-234-9171 for Suspension Parts

## Kit No. F-501-RK

400,000 lb Capacity, 200-Ton Sectional, Type S-34-200, 60 Ft. Model 6840, Main Lever #SX8D

QTY	RL PART #	EQUIV. FBKS #	SIZE	DESCRIPTION
16.....	F1629RRP	SX255	1" x 2" x 17"	PIVOT, MAIN LEVER LOAD
16.....	F1613RRP	SX139	1" x 2" x 12"	PIVOT, MAIN LEVER FULCRUM
8.....	F1630RRP	SX259	1" x 2" x 9 5/8"	PIVOT, MAIN LEVER TIP
2.....	F1628RRP	SX248	1" x 2" x 19 1/4"	PIVOT, END LEVER LOAD
2.....	F1628RRP	SX248	1" x 2" x 19 1/4"	PIVOT, END LEVER NOSE IRON
2.....	F1557RRP	SM234-D	3/4" x 1 1/4" x 4"	PIVOT, END LEVER NOSE IRON
2.....	F1628RRP	SX248	1" x 2" x 19 1/4"	PIVOT, CENTER LEVER LOAD
2.....	F1626RRP	SX247	1" x 2" x 25"	PIVOT, CENTER LEVER FULCRUM
2.....	F1557RRP	SM234-D	3/4" x 1 1/4" x 4"	PIVOT, CENTER LEVER NOSE IRON
2.....	F1655RRP	SX210	3/4" x 1 1/2" x 2"	PIVOT, CENTER LEVER NOSE IRON
2.....	F1656RRP	SX210-A	3/4" x 1 1/2" x 2"	PIVOT, CENTER LEVER NOSE IRON
2.....	F1625RRP	SX238	3/4" x 1 1/2" x 3 1/2"	PIVOT, TRANSVERSE LEVER LOAD
1.....	F1573RRP	SM249-B	3/4" x 1 1/2" x 12"	PIVOT, TRANSVERSE LEVER FULCRUM
4.....	F1560RRP	SM210-H	3/4" x 1 1/2" x 1 1/4"	PIVOT, TRANSVERSE LEVER NOSE IRON
2.....	F1558RRP	SM210-E	3/4" x 1 1/2" x 1 1/4"	PIVOT, SHELF LEVER LOAD
2.....	F1558RRP	SM210-E	3/4" x 1 1/2" x 1 1/4"	PIVOT, SHELF LEVER TIP
1.....	F1561RRP	SQ139-N	3/4" x 1 1/2" x 5 3/16"	PIVOT, SHELF LEVER FULCRUM
16.....	F1657RR	SX771	3" x 1 3/4" x 3"	BEARING, GIRDER CHAIR
16.....	F1603RR	SX46	1 1/4" x 1 1/8" x 17 1/8"	BEARING, MAIN BLOCK
8.....	F1634RR	73905	5/8" x 11/16" x 9 3/4"	BEARING, TIP MAIN LEVER
4.....	F1611RR	SX138	1 1/4" x 1 1/4" x 19 3/8"	BEARING, EXTENSION LEVER LOAD
4.....	F1566RR	SM46-T	1" x 13/16" x 4 1/8"	BEARING, END & CENTER LEVERS
4.....	F1633RR	SX415	7/8" x 1 9/16" x 2 1/8"	BEARING, FIFTH LEVER CONNECTOR
2.....	F1632RR	SX414-B	1 1/4" x 2" x 3 9/16"	BEARING, FIFTH LEVER BLOCK
8.....	F1567RR	SM415-B	3/4" x 1" x 1 3/8"	BEARING, FIFTH LEVER BLOCK
1.....	F1569RR	LX392-B	5/8" x 11/16" x 5 5/16"	BEARING, SHELF LEVER BLOCK
16.....	F1624RR	SX194	1 1/4" x 1 1/4" x 12 1/8"	BEARING, MAIN LEVER STAND
2.....	F1611RR	SX138	1 1/4" x 1 1/4" x 19 3/8"	BEARING, END LEVER STAND
2.....	94837	SX46-B	1 1/4" x 1 1/4" x 2'-1 1/8"	BEARING, CENTER LEVER STAND
1.....	F1645RR	SM278-B	1" x 11/16" x 12 1/8"	BEARING, FIFTH LEVER STAND

**\$30,800.00** Sugg. List / 350 lb Ship Wt.

**FAIRBANKS**

# Fairbanks Railroad Kits

## Kit No. F-533-RK

Fairbanks Fabricated Railroad Track & Truck Scales With 15" Load & Fulcrum Pivots

QTY	RL PART #	EQUIV. FBKS #	SIZE	DESCRIPTION
32.....	F1668RRP .....	1382-8	1/2" x 1" x 7 1/2"	PIVOT, LOAD & FULCRUM
32.....	F1670RR .....	1418-8	1" x 3/4" x 7 1/2"	BEARING, LOAD & FULCRUM
4.....	F458P .....	1463-2	1/2" x 1" x 3"	PIVOT, MAIN LEVER, TIP
4.....	F1664RR .....	2135	2 1/2" x 2" x 7 1/2"	BEARING BLOCK, TIP
7.....	F1669RRP .....	1382-11	1/2" x 1" x 6 3/4"	PIVOT, TORQUE TUBE
3.....	F1671RR .....	1418-6	1" x 3/4" x 6 3/4"	BEARING, TORQUE TUBE
4.....	F1663RR .....	2136	2 1/2" x 2" x 7 1/2"	BEARING BLOCK, UPPER
1.....	F457P .....	1463-1	1/2" x 1" x 2"	PIVOT, TIP
1.....	F463 .....	2195	2" x 3/4" x 5 1/4"	BEARING BLOCK, TIP

**\$8,100.00** Sugg. List / 175 lb Ship Wt.

## Kit No. F-535-RK FB NEW # 89430

Fairbanks Fabricated Railroad Track & Truck Scales With 17" Load & Fulcrum Pivots, Pivot & Bearing

Models: 13 or 14-1421, 1422, 1423, 1424 & 1425

QTY	RL PART #	EQUIV. FBKS #	SIZE	DESCRIPTION
16.....	F1687RRP .....	1382-23	1/2" x 1" x 17"	PIVOT, LOAD & FULCRUM
16.....	F1693RR .....	1418-25	1" x 3/4" x 17"	BEARING, LOAD & FULCRUM
4.....	F458P .....	1463-2	1/2" x 1" x 3"	PIVOT, MAIN LEVER, TIP
5.....	F1669RRP .....	1382-11	1/2" x 1" x 6 3/4"	PIVOT, TORQUE TUBE
4.....	F1671RR .....	1418-6	1" x 3/4" x 6 3/4"	BEARING, TORQUE TUBE FULCRUM
4.....	F1663RR .....	2136	2 1/2" x 2" x 7 1/2"	BEARING BLOCK, LOWER
4.....	F1664RR .....	2135	2 1/2" x 2" x 7 1/2"	BEARING BLOCK, UPPER
1.....	F457P .....	1463-1	1/2" x 1" x 2"	PIVOT, TIP
1.....	F463 .....	2195	2" x 3/4" x 5 1/4"	BEARING BLOCK, TIP
2.....	F454P .....	1382-6	1/2" x 1" x 6"	PIVOT, TORQUE TUBE

**\$8,400.00** Sugg. List / 185 lb Ship Wt.

## Kit No. F-534-RK FB NEW # 89433

Suspension Kit For F-535-RK

Models: 13 or 14-1421, 1422, 1423, 1424 & 1425 For Scales Shipped Thru 1978

QTY	RL PART #	EQUIV. FBKS #	SIZE	DESCRIPTION
8.....	F1665RR .....	5872	2" x 6" x 14"	SADDLE BLOCK
8.....	F1667RR .....	1547	2 5/8" DIA x 11 1/2"	TRUNNION PIN
16.....	F1666RR .....	1542	8" x 1" x 17"	LINK

**\$16,630.00** Sugg. List / 600 lb Ship Wt.

FAIRBANKS

# Fairbanks Railroad Kits

## Kit No. F-536-RK

Fairbanks Fabricated Railroad Track & Truck Scales With 21" Pivot, 100-Ton Per Section, 200-Ton Total Capacity

Models: 13-1432 60 x 10, 13-1433 66 x 10, 13-1434 70 x 10, 13-1435 72 x 10

Pivot & Bearing

QTY	RL PART #	EQUIV. FBKS #	SIZE	DESCRIPTION
32.....	F1650RRP .....	1382-12	1/2" x 1" x 10 1/2"	PIVOT, LOAD & FULCRUM
32.....	F1651RR.....	1418-9	1" x 3/4" x 10 1/2"	BEARING, LOAD & FULCRUM
4.....	F458P .....	1382-2	1/2" x 1" x 3"	PIVOT, MAIN LEVER, TIP
4.....	F1663RR.....	2136	2 1/2" x 2" x 7 1/2"	BEARING BLOCK, TIP
7.....	F1669RRP .....	1382-11	1/2" x 1" x 6 3/4"	PIVOT, TORQUE TUBE LOAD
4.....	F1671RR.....	1418-6	1" x 3/4" x 6 3/4"	BEARING, TORQUE TUBE
4.....	F1664RR.....	2135	2 1/2" x 2" x 7 1/2"	BEARING BLOCK, UPPER
1.....	F457P .....	1463-1	1/2" x 1" x 2"	PIVOT, TORQUE TUBE, TIP
1.....	F463 .....	2195	2" x 3/4" x 5 1/4"	BEARING BLOCK, TIP

**\$9,725.00** Sugg. List / 201 lb Ship Wt.

*Measure your suspension, two sizes were used*

## Kit No. F-537-RK FB NEW # 89432

Suspension Kit For F-536-RK

Models: Models 13 or 14-1432, 1433, 1434, or 1435

QTY	RL PART #	EQUIV. FBKS #	SIZE	DESCRIPTION
8.....	F1704RR.....		2" x 8" x 20"	SADDLE BLOCK
8.....	F1705RR.....		3" DIA x 11 1/2"	TRUNNION PIN
16.....	F1703RR.....	1548	1" x 9" x 21"	LINK

**\$17,250.00** Sugg. List / 1441 lb Ship Wt.

## Kit No. F-538-RK

Suspension Kit For F-536-RK

QTY	RL PART #	EQUIV. FBKS #	SIZE	DESCRIPTION
8.....	F1709RR.....		2" x 8" x 19 1/2"	SADDLE BLOCK
8.....	F1667RR.....	1547	2 5/8" DIA x 11 1/2"	TRUNNION PIN
16.....	F1703RR.....	1548	1" x 9" x 21"	LINK

**\$16,630.00** Sugg. List / 1360 lb Ship Wt.

**FAIRBANKS**

# Fairbanks Railroad Kits

## Kit No. F-539-RK

Fairbanks Fabricated Railroad Track & Truck Scales With 25" Pivots, 150-Ton Sectional Capacity, 300-Ton Total Capacity

Model: 13-1307 60 x 10, 13-1308 66 x 10, 13-1309 70 x 10, 13-1310 72 x 10  
Pivot & Bearing

QTY	RL PART #	EQUIV. FBKS #	SIZE	DESCRIPTION
16.....	F1701RRP .....	1382-18	1/2" x 1" x 25"	PIVOT, LOAD & FULCRUM
16.....	F1702RR.....	1418-16	1" x 3/4" x 25"	BEARING, LOAD & FULCRUM
4.....	F465P .....	FG313	1/2" x 1" x 4"	PIVOT, TIP
4.....	F1697RR.....	4438	3" x 3" x 8 1/4"	BEARING BLOCK, TIP
4.....	F1669RRP .....	1382-11	1/2" x 1" x 6 3/4"	PIVOT, TORQUE TUBE LOAD
3.....	F1668RRP .....	1382-8	1/2" x 1" x 7 1/2"	PIVOT, TORQUE TUBE FULCRUM
3.....	F1670RR.....	3007	1" x 3/4" x 7 1/2"	BEARING, TORQUE TUBE FULCRUM
4.....	F1696RR.....	4436	2 1/2" x 2" x 8 1/4"	BEARING BLOCK, UPPER
1.....	F457P .....	1382-1	1/2" x 1" x 2"	PIVOT, TIP
1.....	F463 .....	2195	2" x 3/4" x 5 1/4"	BEARING BLOCK, TIP

**\$11,800.00** Sugg. List / 235 lb Ship Wt.

## Kit No. F-540-RK FB NEW # 89431

Suspension Kit For F-539-RK Shipped Thru 1978

QTY	RL PART #	EQUIV. FBKS #	SIZE	DESCRIPTION
8.....	F1699RR.....	3189	7 1/4" 10 3/4" x 24"	SADDLE BLOCK
8.....	F1698RR.....	3190	3 1/2" DIA x 13"	TRUNNION PIN
16.....	F1700RR.....	3188	1 1/2" x 9" x 26"	LINK

**\$20,525.00** Sugg. List / 2515 lb Ship Wt.

FAIRBANKS

**HOWE**

**HOWE**



# Howe Price Index

By Rice Lake Part Number

<b>RL PART #</b>	<b>SUGG. LIST</b>	<b>PAGE #</b>
10367.....	\$40.00 .....	171
10369.....	\$40.00 .....	171
10371.....	\$40.00 .....	171
10373.....	\$40.00 .....	171
10379.....	\$58.00 .....	171
10380.....	\$58.00 .....	171
10381.....	\$58.00 .....	171
10382.....	\$58.00 .....	171
10385.....	\$40.00 .....	171
10387.....	\$40.00 .....	171
10389.....	\$40.00 .....	171
10391.....	\$40.00 .....	171
10404.....	\$40.00 .....	171
10405.....	\$40.00 .....	171
10407.....	\$40.00 .....	171
10409.....	\$40.00 .....	171
10431.....	\$90.00 .....	174
10772.....	\$11.00 .....	191
10993.....	\$9.00 .....	191
14884.....	\$0.50 .....	179,184
15256.....	\$1.25 .....	193
15263.....	\$1.10 .....	193
15290.....	\$2.00 .....	177,193
15301.....	\$1.75 .....	193
18815.....	\$10.00 .....	191
18816.....	\$12.00 .....	191
22143.....	\$350.00 .....	183
22145.....	\$42.00 .....	174
33645.....	\$26.00 .....	191
33646.....	\$21.00 .....	191
33648.....	\$35.00 .....	191
33649.....	\$23.00 .....	191
102066.....	\$240.00 .....	190
H601 .....	\$37.00 .....	189
H602 .....	\$32.00 .....	189
H603 .....	\$26.00 .....	189
H604 .....	\$25.00 .....	189
H605 .....	\$23.00 .....	189
H606 .....	\$23.00 .....	189
H607 .....	\$21.00 .....	177,178,190
H608 .....	\$27.00 .....	190
H609 .....	\$25.00 .....	190
H610P.....	\$31.00 .....	188
H611P.....	\$29.00 .....	188
H612P.....	\$28.00 .....	188
H613P.....	\$26.00 .....	188
H614P.....	\$26.00 .....	177,178,188
H615P.....	\$26.00 .....	188
H616P.....	\$38.00 .....	186,188
H617P.....	\$19.00 .....	188
H618 .....	\$12.00 .....	184
H619 .....	\$10.00 .....	184
H620P.....	\$31.00 .....	188
H621P.....	\$27.00 .....	188
H622 .....	\$27.00 .....	187,190
H623 .....	\$31.00 .....	187,190
H624 .....	\$47.00 .....	187
H625 .....	\$35.00 .....	187
H626P.....	\$27.00 .....	188
H627 .....	\$61.00 .....	183
H630 .....	\$25.00 .....	189

<b>RL PART #</b>	<b>SUGG. LIST</b>	<b>PAGE #</b>
H632 .....	\$11.00 .....	193
H633 .....	\$13.00 .....	193
H637 .....	\$10.00 .....	193
H644 .....	\$21.00 .....	191
H645 .....	\$42.00 .....	187
H646P.....	\$23.00 .....	174
H647 .....	\$37.00 .....	189
H648 .....	\$14.00 .....	175,177,178,191
H650P.....	\$42.00 .....	180
H655P.....	\$35.00 .....	188
H656P.....	\$22.00 .....	177,178,188
H657P.....	\$42.00 .....	177,178,181
H658P.....	\$26.00 .....	177,181
H659P.....	\$77.00 .....	177,178
H661 .....	\$37.00 .....	177,178
H662 .....	\$26.00 .....	177
H663 .....	\$25.00 .....	177
H668 .....	\$72.00 .....	183
H670P.....	\$16.00 .....	172
H673P.....	\$45.00 .....	178,181
H675 .....	\$24.00 .....	180
H676 .....	\$25.00 .....	174
H677 .....	\$9.00 .....	175
H690 .....	\$35.00 .....	179
H691 .....	\$41.00 .....	187
H692P.....	\$22.00 .....	179,188
H693 .....	\$12.00 .....	179,184
H694P.....	\$37.00 .....	179,181
H695 .....	\$37.00 .....	179
H696 .....	\$34.00 .....	179
H697 .....	\$17.00 .....	191
H698P.....	\$23.00 .....	181
H701 .....	\$23.00 .....	174
H702 .....	\$310.00 .....	192
H703 .....	\$265.00 .....	183,191
H704 .....	\$390.00 .....	192
H705 .....	\$26.00 .....	172
H706 .....	\$24.00 .....	172
H707 .....	\$8.00 .....	172
H708 .....	\$26.00 .....	172
H709 .....	\$12.00 .....	172
H710 .....	\$12.00 .....	174
H711 .....	\$85.00 .....	185
H712 .....	\$105.00 .....	185
H713 .....	\$135.00 .....	185
H714L.....	\$86.00 .....	186
H715 .....	\$395.00 .....	192
H716 .....	\$560.00 .....	192
H722P.....	\$48.00 .....	XX
H834 .....	\$13.00 .....	173
H836 .....	\$48.00 .....	183
H845 .....	\$23.00 .....	173
H846 .....	\$27.00 .....	173
H847 .....	\$31.00 .....	173
H848 .....	\$73.00 .....	187
H852P.....	\$61.00 .....	188
*H854P.....	\$54.00 .....	176
H855P.....	\$81.00 .....	184
H856P.....	\$98.00 .....	184
H857 .....	Ref. RL Part #15256	

<b>RL PART #</b>	<b>SUGG. LIST</b>	<b>PAGE #</b>
H858P.....	\$34.00 .....	175
H859 .....	\$48.00 .....	183
H860P.....	\$45.00 .....	180
H861P.....	\$45.00 .....	180
H864 .....	\$17.00 .....	182
H865 .....	\$12.00 .....	182
H866 .....	\$19.00 .....	182
H867 .....	\$20.00 .....	182
H868P.....	\$19.00 .....	180
H869P.....	\$23.00 .....	182
H876P.....	\$118.00 .....	184
H878P.....	\$128.00 .....	184
H879 .....	\$91.00 .....	XX
H885P.....	\$46.00 .....	181
H886 .....	\$95.00 .....	XX
H887 .....	\$96.00 .....	182
H888 .....	\$89.00 .....	XX
H889 .....	\$89.00 .....	XX
H890P.....	\$21.00 .....	173
H891P.....	\$21.00 .....	173
H892P.....	\$23.00 .....	181
H901 .....	\$59.00 .....	190
*H902 .....	\$62.00 .....	190
H904P.....	\$46.00 .....	177,181
H905L.....	\$148.00 .....	186
H906 .....	\$175.00 .....	185
H907 .....	\$340.00 .....	185
H910 .....	\$310.00 .....	192
H913 .....	\$36.00 .....	175
H914 .....	\$315.00 .....	183
H916 .....	\$52.00 .....	XX
*H917 .....	\$340.00 .....	192
H918 .....	\$340.00 .....	192
H919 .....	\$48.00 .....	182
H920 .....	\$55.00 .....	193
H921 .....	\$340.00 .....	192
H933P.....	\$23.00 .....	181
*H936 .....	\$340.00 .....	192
H942 .....	\$290.00 .....	183
H944 .....	\$225.00 .....	183
H945 .....	\$145.00 .....	175
H2111RRP.....	\$112.00 .....	196
H2112RRP.....	\$104.00 .....	196
H2117RRP.....	\$198.00 .....	196
H2119RRP.....	\$322.00 .....	196
H2125RRP.....	\$137.00 .....	196
H2316RR.....	\$200.00 .....	196
H2317RR.....	\$200.00 .....	196
H2318RR.....	\$195.00 .....	196
H2319RR.....	\$242.00 .....	196
H2320RR.....	\$106.00 .....	196
H2325RR.....	\$144.00 .....	196
H2500RR.....	\$495.00 .....	196
H2501RR.....	\$844.00 .....	196
H2502RR.....	\$382.00 .....	196
H2503RR.....	\$382.00 .....	196
P701 .....	\$59.00 .....	187
P702 .....	\$56.00 .....	187
TH927 .....	\$16.00 .....	191
T142L.....	\$24.00 .....	176

\*Item obsolete or discontinued. When remaining stock is depleted, published prices are withdrawn and the item is subject to a special order quote.

XX Call for Details



# Howe Cross Reference

By Equivalent Howe Number

<b>EQUIV. HOWE #</b>	<b>RL PART #</b>	<b>PAGE #</b>	<b>EQUIV. HOWE #</b>	<b>RL PART #</b>	<b>PAGE #</b>	<b>EQUIV. HOWE #</b>	<b>RL PART #</b>	<b>PAGE #</b>
3529-3801	H937	177	40800367	H933P	181	40807054	H891P	173
3790-3801	H838	XX	40800501	H892P	181	40807082	10407	171
3847-3801	H700	XX	40800633	H658P	177,181	40807092	10405	171
3849-3801	H837	179	40800815	H699P	XX	40807830	H685P	XX
4300-3801	H842	XX	40800890	H633	193	40807832	H686P	XX
4857	H914	183	40800899	H694P	179,181	40808230	H2116RRP	XX
5313-3801	H894	XX	40801070	H610P	188	40808251	H2132RRP	XX
5316	H942	183	40801076	H615P	188	40808259	H2105RRP	XX
9835-3801	H675	180	40801077	H617P	188	40808260	H2119RRP	196
13790	H944	183	40801080	H626P	188	40808408	H2127RRP	XX
18234	H944	XX	40801081	H612P	188	40809026	H2126RRP	XX
19991A	H945	175	40801090	H611P	188	40810545	10387	171
20301	H627	183	40801092	H613P	188	40810546	10389	171
20790	22143	183	40801126	H621P	188	40814207	H2306RR	XX
20988-3801	H839	XX	40801131	H614P	177,178,188	40814330	H944	183
22599-3801	H899	XX	40801137	H856P	184	40816580	H690	179
25204-3801	H929P	XX	40801166	H632	XX	40816724	H2319RR	196
25214-3801	H841P	XX	40801198	H945	175	40816725	H2318RR	196
25216-3801	H927P	XX	40801203	H855P	184	40820608	H2301RR	XX
25217-3801	H926P	XX	40801214	H657P	177,178,181	40820611	H2307RR	XX
25221-3801	H932	XX	40801225	H877P	XX	41019415	H628	XX
25572-3801	H941	XX	40801235	H637	193	41036433	H607	177,178,190
26068-3801	H861P	180	40801248	H656P	188	41039539	H2320RR	196
26942-3801	H840P	XX	40802085	H616P	186	41042196	H943	XX
26943-3801	H924P	XX	40802257	H904P	181	41043253	H866	182
26959-3801	H938P	XX	40802591	H660P	XX	41043254	H867	182
26967-3801	H909P	XX	40802594	H917	192	41043686	H869P	182
26968-3801	H911P	183	40802636	H702	192	41043687	H868P	182
27006-3801	H650P	180	40802637	H704	192	42034246	H646P	174
27007-3801	H939P	XX	40802638	H703	191	42034660	H649	XX
27008-3801	H940P	XX	40802640	102066	190	42034891	H627	183
29162-3801	H930	XX	40802643	H921	192	42035173	H630	189
29163-3801	H931	XX	40802644	H918	192	42035211	H619	184
29224-3801	H928	XX	40802653	H715	192	42035848	H648	175,177, 178,191
34609-3801	H915P	XX	40802654	H936	192	42040429	H693	179,184
45768-3801	H700	XX	40802656	H716	192	42043855	H602	189
46066-3801	H860P	180	40803528	H942	183	42043862	H618	184
46067-3801	H912P	179	40803860	H655P	188	42043937	H603	189
46394-3801	H862	XX	40803894	H691	187	42043938	H606	189
49249-3801	H900	XX	40804110	H2129RRP	XX	42043939	H605	189
50535-4601	H863P	XX	40804124	H692P	188	42043940	H604	189
600097-01	H922	XX	40804741	H944	183	42044397	H608	190
10902998	15256	193	40804934	H885P	181	42044398	H609	190
10904911	H677	175	40805312	H620P	188	42052705	H601	189
10905464	H677	XX	40805386	H914	183	42053568	H835	XX
20808295	H688	XX	40805802	H883P	XX	42054290	H661	177,178
20900076	H689	XX	40805916	H624	187	42060713	H678	XX
20905682	15301	193	40805921	H669PSS	XX	42060825	H653P	XX
20906027	15290	177,193	40805922	H625	187	42061321	H629	XX
20906224	15263	193	40805933	H2100RRP	XX	42061650	H2303RR	XX
22035255	H680L	XX	40806245	H2104RRP	XX	42066333	H858P	175
22111450	H707	172	40806361	H884P	XX	42066617	H651P	XX
40800155	H893P	XX	40806632	22145	174	42071831	10367	171
40800156	H684P	181	40806973	H654	XX	42076188	10369	171
40800295	H698P	181	40807000	H848	187	42076189	10371	171
40800366	H880P	XX	40807048	H852P	188			

\*Item obsolete or discontinued. When remaining stock is depleted, published prices are withdrawn and the item is subject to a special order quote.

XX Call for Details



# Howe Cross Reference

By Equivalent Howe Number

**EQUIV.  
HOWE #    RL PART #    PAGE #**

42076190.....	10373 .....	171
42078947.....	10385 .....	171
42080080.....	H865 .....	182
42086507.....	10431 .....	174
42091698.....	H663 .....	174
42092656.....	H898 .....	XX
42092817.....	H683P.....	XX
42092818.....	H682 .....	XX
42094659.....	33649 .....	191
42095126.....	H662 .....	177
42097659.....	H659P.....	177,178
42102167.....	H874 .....	XX
42102187.....	H934 .....	XX
42102378.....	H913 .....	175
42102471.....	H644 .....	191
42103226.....	H713 .....	185
42103227.....	H712 .....	185
42103228.....	H711 .....	185
42103281.....	H623 .....	187,190
42103282.....	H622 .....	187,190
42103716.....	H645 .....	187
42106392.....	H681 .....	XX
42106396.....	H679P.....	XX
42106554.....	H669P.....	XX
42106791.....	H870 .....	XX
42108126.....	H720 .....	XX
42108127.....	H718P.....	XX
42108333.....	H719P.....	XX
42109311.....	H721P.....	XX
42111013.....	H906 .....	185
42111183.....	H695 .....	179
42111184.....	H696 .....	179
42111406.....	H670P.....	172
42111417.....	10409 .....	171
42111422.....	H709 .....	172
42111454.....	10404 .....	171
42111512.....	H890P.....	173
42111567.....	10391 .....	171
42114397.....	H2502RR .....	196

**EQUIV.  
HOWE #    RL PART #    PAGE #**

42114517.....	H2316RR .....	196
42114518.....	H2317RR .....	196
42120488.....	H687P.....	XX
42124538.....	H854P.....	176
42126334.....	H919 .....	182
42128770.....	H2308RR .....	XX
42138860.....	H647 .....	189
42146338.....	H902 .....	190
42146392.....	H901 .....	190
43019339.....	H2305RR .....	XX
43066321.....	H676 .....	174
43078106.....	H668 .....	183
43111500.....	H845 .....	173
43111510.....	H847 .....	173
43111511.....	H846 .....	173
43124297.....	H715 .....	192
43126598.....	H716 .....	192
44019193.....	H2300RR .....	XX
44035270.....	H849P.....	XX
44043774.....	H702 .....	192
44043783.....	H703.....	183,191
44043915.....	H921 .....	192
44043916.....	H918.....	192
44052704.....	H715 .....	192
44052706.....	H716 .....	192
44052711.....	H936 .....	192
44096673.....	H917 .....	192
45043779.....	H704 .....	192
52069557.....	H701 .....	174
60800023.....	H889 .....	XX
60800182.....	H887 .....	182
60800854.....	10380 .....	171
60800855.....	10380 .....	XX
60800969.....	H879 .....	XX
60801150.....	H886 .....	XX
60801200.....	H945 .....	175
60811302.....	H888 .....	XX
60816859.....	H2125RRP .....	196

**EQUIV.  
HOWE #    RL PART #    PAGE #**

62066639.....	H834 .....	173
62088963.....	H702 .....	192
62090922.....	H715 .....	192
62090970.....	H936 .....	192
62090971.....	H716 .....	192
62093965.....	H704 .....	192
62093971.....	H921 .....	192
62098973.....	H918.....	192
62103221.....	H714L.....	186
62103235.....	H910.....	192
62104416.....	H917 .....	192
62111015.....	H907 .....	185
62111017.....	H905L.....	186
62111462.....	H708.....	172
62111464.....	H705.....	172
62111465.....	H706.....	172
62121944.....	H2501RR .....	196
62124298.....	H715 .....	192
62126599.....	H716 .....	192
DF NO. 1 .....	H668.....	183
DF NO. 2 .....	H627 .....	183
DF NO. 3 .....	H836.....	183
DF NO. 4 .....	H859.....	183
J19415.....	H628.....	XX
J37141 .....	H836.....	183
K103229-2 3/4.....	H2323RR .....	XX
K103229-3 7/8.....	H2324RR .....	XX
K103229-5 .....	H2322RR .....	XX
K114407 .....	H2500RR .....	196
K34891 .....	H627 .....	168,183
L78106.....	H668.....	183
NC43774 .....	H702.....	192
NC43783 .....	H703.....	183,191
NC43915 .....	H921 .....	192
NC43916 .....	H918.....	192
LC43925 .....	102066 .....	190
NC52711 .....	H936.....	192
NC96673 .....	H917 .....	192
PC43779.....	H704 .....	192
PC52704.....	H715.....	192

**HOWE**

\*Item obsolete or discontinued. When remaining stock is depleted, published prices are withdrawn and the item is subject to a special order quote.

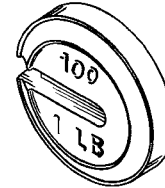
XX Call for Details

# Individual Howe Scale Parts

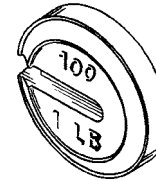
Counterpoise Weights and Hangers for Howe 57, 54 XL and Triner

RL PART #	DESCRIPTION	SUGG. LIST
10367	EQUIV. HOWE NO. 42071831 SIZE: 50 x 1/2 LB	\$40.00
10369	EQUIV. HOWE NO. 42076188 SIZE: 100 x 1 LB	\$40.00
10371	EQUIV. HOWE NO. 42076189 SIZE: 200 x 2 LB	\$40.00
10373	EQUIV. HOWE NO. 42076190 SIZE: 300 x 3 LB	\$40.00
10385	EQUIV. HOWE NO. 42078947 SIZE: 500 x 5 LB	\$40.00
10409	EQUIV. HOWE NO. 42111417 SIZE: 100 x 1 9/16 LB	\$40.00
10407	EQUIV. HOWE NO. 40807082 SIZE: 50 x 25/32 LB	\$40.00
10405	EQUIV. HOWE NO. 40807092 SIZE: 25 x 25/64 LB	\$40.00
10404	EQUIV. HOWE NO. 42111454 SIZE: 10 x 5/32 LB	\$40.00

ROUND, SLOTTED  
COUNTERPOISE WEIGHTS  
3" DIA



ROUND, SLOTTED  
COUNTERPOISE WEIGHTS

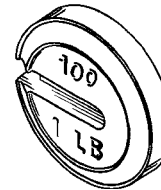


300 LB BENCH BEAM SCALE

## For Counting Scales:

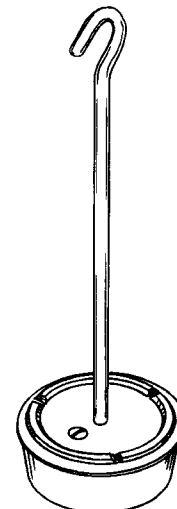
10387	EQUIV. HOWE NO. 40810545 SIZE: 100 x 1 1/99 LB	\$40.00
10389	EQUIV. HOWE NO. 40810546 SIZE: 200 x 2 2/99 LB	\$40.00
10391	EQUIV. HOWE NO. 42111567 SIZE: 500 x 5 5/99 LB	\$40.00

ROUND, SLOTTED  
COUNTERPOISE WEIGHTS  
3" DIA



## Counterpoise Hangers For Above Weights:

10381	EQUIV. HOWE NO. 60800854, 60800855 HANGER, 16 OZ	\$58.00
10380	EQUIV. HOWE NO. 60800854, 60800855 HANGER, 12 OZ	\$58.00
10379	EQUIV. HOWE NO. 60800854, 60800855 HANGER, 10 OZ	\$58.00
10382	EQUIV. HOWE NO. 60800854, 60800855 HANGER, 7 OZ	\$58.00


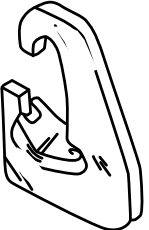

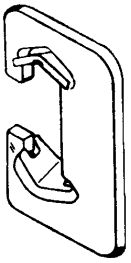
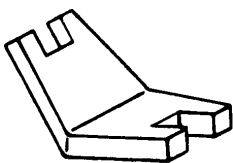
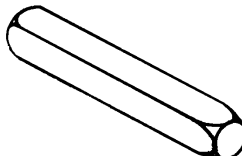


**FOR XL & APACHE, ORDER 7 OZ, 10 OZ OR 12 OZ  
FOR 54 & 57, ORDER 16 OZ  
HANGER ROD, 8 3/16" L**

**HOWE**

# Individual Howe Scale Parts


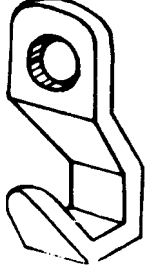
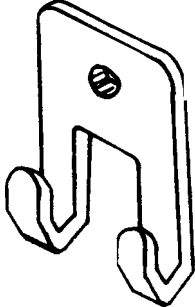
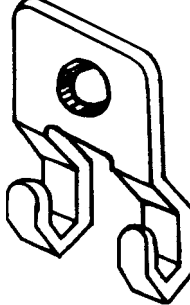
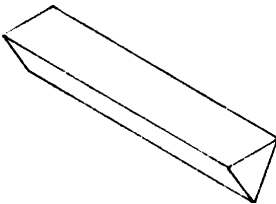
Bench Scale and Portable X-Actron 54 XL2, 5400, 5401, 5402, 6400, 6401, 6402,  
XL Models: 54XL1, 5401, 5402 and Apache Triner Models: 2100, 2200

RL PART #	DESCRIPTION	SUGG. LIST	
H705	EQUIV. HOWE NO. 62111464 SIZE: 3/16" THICK, 2 1/8" W, 4 3/4" L HANGER ASSEMBLY	\$26.00	
H706	EQUIV. HOWE NO. 62111465 SIZE: 3/16" THICK, 2 1/8" W, 2 7/8" L HANGER ASSEMBLY SHORT	\$24.00	
H707	EQUIV. HOWE NO. 22111450 SIZE: 5/16" DIA x 1/4" L HANGER CLIP	\$8.00	
H708	EQUIV. HOWE NO. 62111462 SIZE: 3/16" THICK, 2 1/8" W, 3 1/2" L SUMMATING HANGER ASSEMBLY	\$26.00	
H709	EQUIV. HOWE NO. 42111422 SIZE: 3/16" THICK, 3/4" W, 1 5/16" L BEARING, LOAD AND ALL LOOPS	\$12.00	
H670P	EQUIV. HOWE NO. 42111406 SIZE: 5/16" SQ x 1 5/8" L PIVOT, LOAD, FULCRUM, NOSE, CONNECTING	\$16.00	

HOWE

# Individual Howe Scale Parts

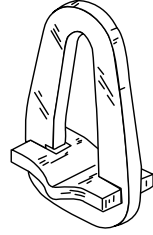
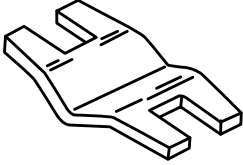
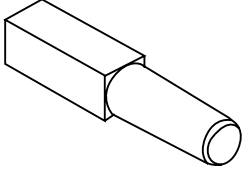
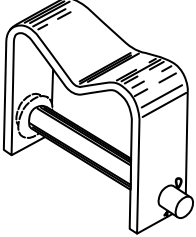
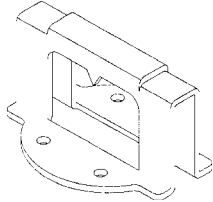
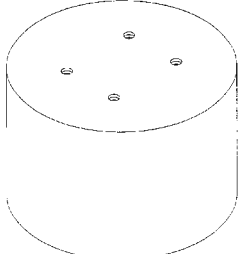
Bench Scale and Portable X-Actron 54 XL2, 5400, 5401, 5402, 6400, 6401, 6402,  
 XL Models: 54XL1, 5401, 5402 & Apache, Triner Models: 2100, 2200 (Cont.)

RL PART #	DESCRIPTION	SUGG. LIST	
H834	EQUIV. HOWE NO. 62066639 SIZE: 1" W, 1 3/4" H LOOP, TIP BEAM	\$13.00	
H845	EQUIV. HOWE NO. 43111500 SIZE: 3/16" x 1 1/8" x 3 1/8" HOLE SIZE: 5/8" NOSE IRON HOOK	\$23.00	
H846	EQUIV. HOWE NO. 43111511 SIZE: 3/16" x 1 3/4" x 3 1/4" HOLE SIZE: 3/8" BEAM FULCRUM HOOK	\$27.00	
H847	EQUIV. HOWE NO. 43111510 SIZE: 3/16" x 1 3/4" x 3 1/8" HOLE SIZE: 5/8" BEAM LOAD HOOK	\$31.00	
H890P	EQUIV. HOWE NO. 42111512 SIZE: .330" x 1.265" PIVOT, BEAM, TIP	\$21.00	
H891P	EQUIV. HOWE NO. 40807054 SIZE: .330" x 1.735" PIVOT, BEAM LOAD AND FULCRUM	\$21.00	

**HOWE**

# Individual Howe Scale Parts

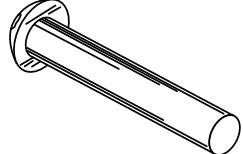
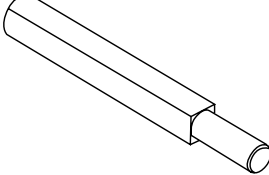
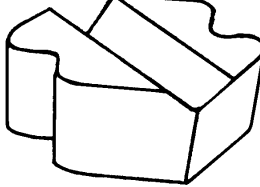
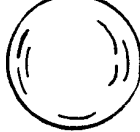
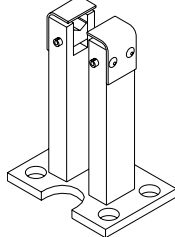
Portable Beam Scale Models 54 & 57 Hobart No. 57

RL PART #	DESCRIPTION	SUGG. LIST	
H701	EQUIV. HOWE NO. 52069557 SIZE: 3/16" THICK 1 13/16" L INSIDE LOOP ASSEMBLY USED IN PLACE OF 52069559	\$23.00	
H710	EQUIV. HOWE NO. N/A SIZE: 3/16" THICK 1 1/4" W, 1 5/8" L LOOP BEARING ONLY	\$12.00	
H646P	EQUIV. HOWE NO. 42034246 SIZE 9/16" SQ x 2 1/2" L 1 1/4" LONG PIVOT EDGE TAPERED SHANK FULCRUM AND LOAD PIVOT	\$23.00	
H676	EQUIV. HOWE NO. 43066321 SIZE: 5/32" x 11/16" x 2 1/16" L BEARING, LOAD W/PIN & COTTER FOR STYLE 57 ONLY	\$25.00	
22145	EQUIV. HOWE NO. 40806632 SIZE: 1 3/8" x 1" x 1 5/8" POISE TOP	\$42.00	
10431	EQUIV. HOWE NO. 42086507 SIZE: 2 1/8" DIA. x 1 7/16" POISE BOTTOM	\$90.00	

HOWE

# Individual Howe Scale Parts

Portable Beam Scale Models 54 & 57 Hobart No. 57

RL PART #	DESCRIPTION	SUGG. LIST	
H677	EQUIV. HOWE NO. 10904911, 10905464 SIZE: 5/16" x 2" L PIN FOR CORNER LOOP AND BEARING WITH CLIP	\$9.00	
H858P	EQUIV. HOWE NO. 42066333 SIZE: 5/16" x 5/16" x 2 3/4" L CENTER CONNECTION PIVOT	\$34.00	
H913	EQUIV. HOWE NO. 42102378 SIZE: 1 1/8" x 5/8" x 1 1/16" BEARING, FOR SPIDER WITH HOLE	\$36.00	
H648	EQUIV. HOWE NO. 42035848 SIZE: 1 5/16" DIA BALL	\$14.00	
H945	EQUIV. HOWE NO. 40801198, 60801200 SIZE: 2 1/2" x 3 1/2" BASE x 5 1/8" TALL STAND, BEAM, FULCRUM WITH FRICTIONS AND BEARING CASTING NO. 19991A	\$145.00	

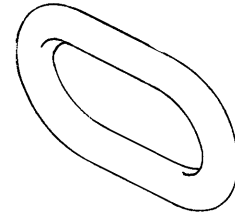
**HOWE**



# Individual Howe Scale Parts

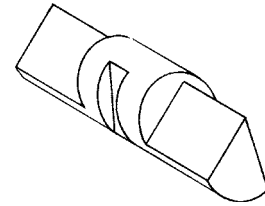
## Links and Bearings

<b>RL PART #</b>	<b>DESCRIPTION</b>	<b>SUGG. LIST</b>
T142L	EQUIV. HOWE NO. 22035255 SIZE: 5/16" x 2 1/4" L USED IN UNITED PORTABLE & BENCH SCALES: 26" x 32" and 32" x 32" LINK	\$24.00



## Pivots and Bearings

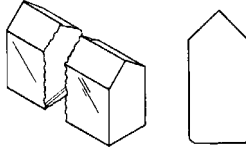
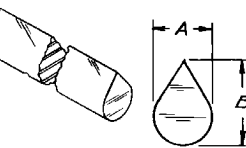
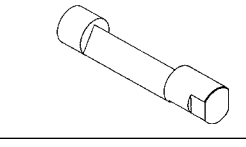
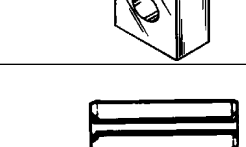
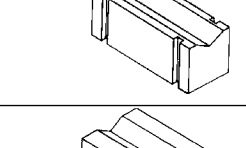
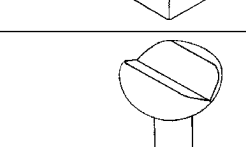



<b>RL PART #</b>	<b>DESCRIPTION</b>	<b>SUGG. LIST</b>
H854P	EQUIV. HOWE NO. 42124538 SIZE: 1" DIA x 3 1/2" L WITH KEYWAY PIVOT EDGE: 1 1/4" PIVOT, DORMANT LOAD	\$54.00



**HOWE**

# Individual Howe Scale Parts

Self-Contained Floor Scale, (Dormant) All Metal Box Type,  
Models 100 to 104 and Skeleton Frame Type, Models 105 to 109

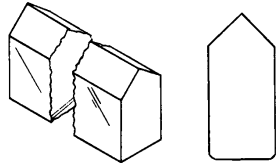
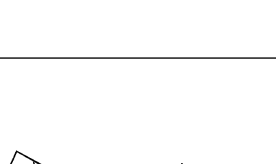
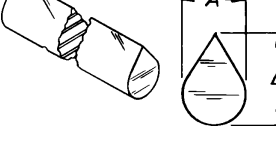
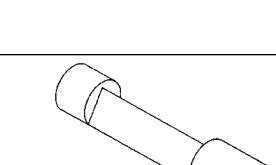

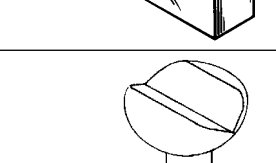
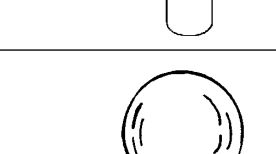
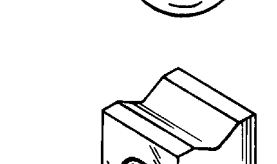
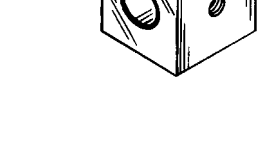
RL PART #	QTY	DESCRIPTION	SUGG. LIST	
H656P	2	EQUIV. HOWE NO. 40801248 SIZE: 1/2" x 1 1/8" x 1 3/32" TAPERED ON ONE END	\$22.00	
H614P	4	EQUIV. HOWE NO. 40801131 SIZE: 1/2" x 1 1/8" x 2" TAPERED ON BOTH ENDS	\$26.00	
H658P	1	EQUIV. HOWE NO. 40800633 SIZE: A. 1/2" x B. 45/64" x 2 1/2"	\$26.00	
H657P	1	EQUIV. HOWE NO. 40801214 SIZE: A. 37/64" x B. 49/64" x 5 1/16"	\$42.00	
H904P	4	EQUIV. HOWE NO. 40802257 SIZE: A. 49/64" x B. 1 1/32" x 4 1/2"	\$46.00	
H659P	2	EQUIV. HOWE NO. 42097659 SIZE: 3/4" x 3 1/2"	\$77.00	
H607	10	EQUIV. HOWE NO. 41036433 SIZE: 1/2" x 1 1/8" x 1" HOLE: 25/64"	\$21.00	
15290	10	EQUIV. HOWE NO. 20906027 SIZE: 3/8" x 1 1/2" ROLL PIN (8 LOAD & 2 FULCRUM TRANS STAND)	\$2.00	
H662	2	EQUIV. HOWE NO. 42095126 SIZE: 5/8" x 5/8" x 1 9/16"	\$26.00	
H663	2	EQUIV. HOWE NO. 42091698 SIZE: 1" x 3/4" x 1 5/8" HOLE: 21/64"	\$25.00	
H661	4	EQUIV. HOWE NO. 42054290 SIZE: 1 1/2" DIA	\$37.00	
H648	8	EQUIV. HOWE NO. 42035848 SIZE: 1 5/16" DIA BALL: STEEL	\$14.00	

ORDER KIT NO. H-665-K

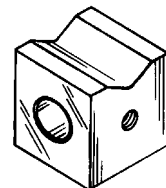
HOWE

# Individual Howe Scale Parts

Self-Contained Floor Scale, (Dormant) Old Style Models TC 1,2

RL PART #	QTY	DESCRIPTION	SUGG. LIST	
H656P	2	EQUIV. HOWE NO. 40801248 SIZE: 1/2" x 1 1/8" x 1 3/32" TAPERED ON ONE END PIVOT	\$22.00	
H614P	4	EQUIV. HOWE NO. 40801131 SIZE: 1/2" x 1 1/8" x 2" TAPERED ON BOTH ENDS PIVOT	\$26.00	
H672P	1	EQUIV. HOWE NO. N/A SIZE: A. 1/2" x B. 45/64" x 3 1/4" PIVOT	\$28.00	
H657P	1	EQUIV. HOWE NO. 40801214 SIZE: A. 37/64" x B. 49/64" x 5 1/16" PIVOT	\$42.00	
H673P	4	EQUIV. HOWE NO. N/A SIZE: A. 49/64" x B. 1 1/32" x 4" PIVOT	\$45.00	
H659P	2	EQUIV. HOWE NO. 42097659 SIZE: 3/4" x 3 1/2" PIVOT	\$77.00	
H607	14	EQUIV. HOWE NO. 41036433 SIZE: 1/2" x 1 1/8" x 1" HOLE: 3/8" BEARING	\$21.00	
H661	4	EQUIV. HOWE NO. 42054290 SIZE: 1 1/2" DIA BEARING	\$37.00	
H648	8	EQUIV. HOWE NO. 42035848 SIZE: 1 5/16" DIA BALL	\$14.00	

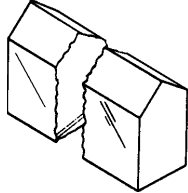
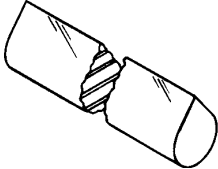
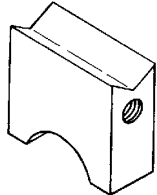
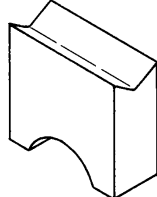
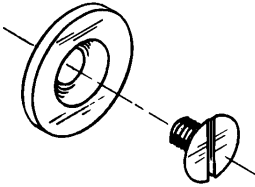
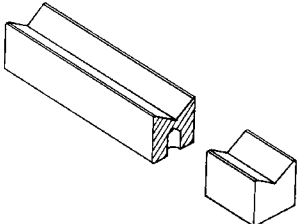
ORDER KIT NO. H-666-K



HOWE

# Individual Howe Scale Parts

Platform Size: 4' x 6' 1973 Model, Serial # 7312952, Model 2829-01034

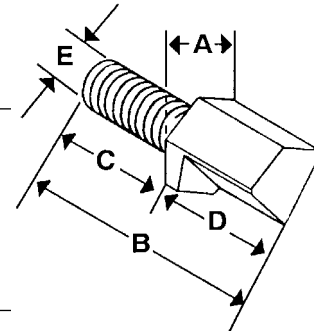
RL PART #	DESCRIPTION	SUGG. LIST	
H692P	EQUIV. HOWE NO. 40804124 SIZE: 1/2" x 1 1/8" x 1 3/16" TAPERED ON BOTH ENDS	\$22.00	
H694P	EQUIV. HOWE NO. 40800899 SIZE: 37/64" x 49/64" x 2 1/2"	\$37.00	
H695	EQUIV. HOWE NO. 42111183 SIZE: 1/2" x 1 1/8" x 1 1/4" 1/4-20 TAPPED HOLE EACH END	\$37.00	
H696	EQUIV. HOWE NO. 42111184 SIZE: 1/2" x 1 1/8" x 1 1/4"	\$34.00	
H693	EQUIV. HOWE NO. 42040429 SIZE: 1 1/4" DIA HOLE SIZE: 17/64"	\$12.00	
14884	SCREW 1/4 - 20 x 5/16	\$0.50	
H690	EQUIV. HOWE NO. 40816580 SIZE: 1/2" x 1/2" x 4" HOLE SIZE: 3/16" 1 1/2" FROM ONE END	\$35.00	

**HOWE**

# Individual Howe Scale Parts

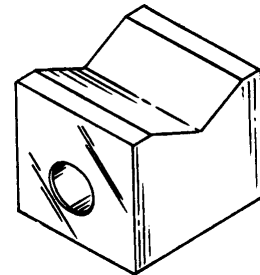
Pivots for Automatic Bulk and Bagging Scales

RL PART #	DESCRIPTION	SUGG. LIST
H650P	EQUIV. HOWE NO. 27006-3801 SIZE: A. 3/4" HEX B. 2" C. 1 1/32" D. 15/16" E. 7/16" DIA BAGGING SCALE, G17	\$42.00
H860P	EQUIV. HOWE NO. 46066-3801 SIZE: A. 3/4" HEX B. 2 3/16" C. 1" D. 1 3/16" E. 3/8" DIA 5° END BAGGING SCALE, E-50	\$45.00
H861P	EQUIV. HOWE NO. 26068-3801 SIZE: A. 3/4" HEX B. 2 3/16" C. 1" D. 1 3/16" E. 3/8" DIA STRAIGHT END	\$45.00



## Bearings for Automatic Bulk and Bagging Scales

RL PART #	DESCRIPTION	SUGG. LIST
H675	EQUIV. HOWE NO. 9835-3801 SIZE: 1 1/8" x 1" x 5/8" HOLE SIZE: 1/4" DIA BAGGING SCALE, G-17	\$24.00

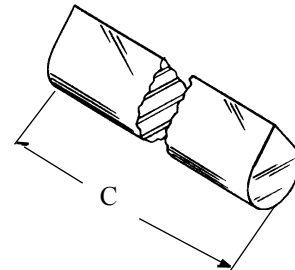
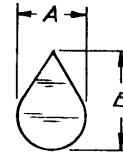


HOWE

# Individual Howe Scale Parts

## Tear Drop Pivots

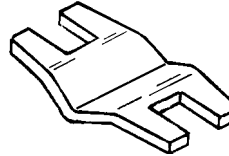
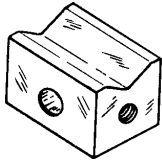

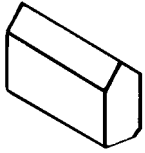
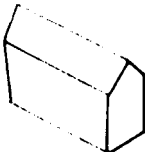
RL PART #	DESCRIPTION	SUGG. LIST
H933P	EQUIV. HOWE NO. 40800367 SIZE: A. 11/32" OR .343" B. 1/2" OR .508" C. 1 7/8"	\$23.00
H684P	EQUIV. HOWE NO. 40800156 SIZE: A. 19/64" OR .296" B. 7/16" OR .437" C. 2 15/16"	\$26.00
H892P	EQUIV. HOWE NO. 40800501 SIZE: A. 11/32" OR .343" B. 1/2" OR .500" C. 1 7/8"	\$23.00
H698P	EQUIV. HOWE NO. 40800295 SIZE: A. 11/32" OR .343" B. 1/2" OR .500" C. 2"	\$23.00
H658P	EQUIV. HOWE NO. 40800633 SIZE: A. 1/2" OR .500" B. 45/64" OR .765" C. 2 1/2"	\$26.00
H694P	EQUIV. HOWE NO. 40800899 SIZE: A. 9/16" OR .562" B. 13/16" OR .812" C. 2 1/2"	\$37.00
H657P	EQUIV. HOWE NO. 40801214 SIZE: A. 37/64" OR .577" B. 49/64" OR .765" C. 5 1/16"	\$42.00
H673P	EQUIV. HOWE NO. N/A SIZE: A. 49/64" OR .765" B. 1 3/64" OR 1.078" C. 4"	\$45.00
H904P	EQUIV. HOWE NO. 40802257 SIZE: A. 49/64" OR .765" B. 1 1/32" OR 1.032" C. 4 1/2"	\$46.00
H885P	EQUIV. HOWE NO. 40804934 SIZE: A. 15/16" OR .937" B. 1 1/4" OR 1.250" C. 4 1/2"	\$46.00



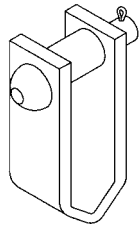
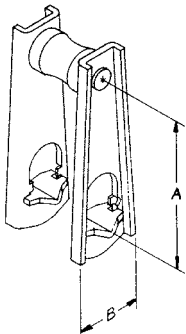
**HOWE**

# Individual Howe Scale Parts

## Hopper Scale Pivots and Bearings

RL PART #	DESCRIPTION	SUGG. LIST	
H864	EQUIV. HOWE NO. N/A SIZE: 3/32" THICK x 5/8" W x 15/16" L BEARING, FOR LOOP ASSEMBLY	\$17.00	
H865	EQUIV. HOWE NO. 42080080 SIZE: 5/32" THICK x 3/4" W x 1 5/16" L BEARING, FOR LOOP ASSEMBLY	\$12.00	
H866	EQUIV. HOWE NO. 41043253 SIZE: 5/8" x 5/8" x 3/4" L HOLE SIZE: 3/16", 2 TAPPED 10-14 BEARING	\$19.00	
H867	EQUIV. HOWE NO. 41043254 SIZE: 1/2" x 3/4" x 1/2" HOLE SIZE: 3/16" BEARING, CENTER CONNECTION	\$20.00	
H868P	EQUIV. HOWE NO. 41043687 SIZE: 1/4" x 5/8" x 5/8" PIVOT	\$19.00	
H869P	EQUIV. HOWE NO. 41043686 SIZE: 1/4" x 5/8" x 3/4" PIVOT, TAPERED ON BOTH ENDS	\$23.00	

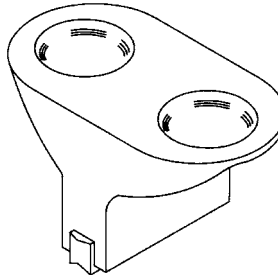
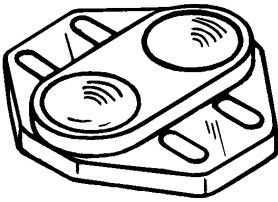
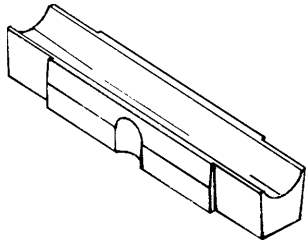
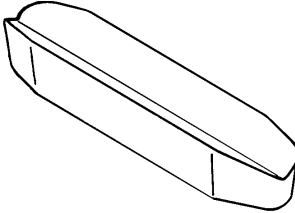
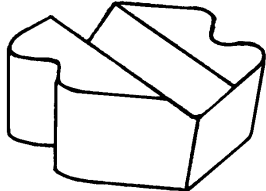
## Hopper Scale Suspension Loops and Bearings

RL PART #	DESCRIPTION	SUGG. LIST	
H919	EQUIV. HOWE NO. 42126334 SIZE: 1 11/16" x 3" x 1 1/4" HOLE SIZE: 1/2" HOPPER SCALE SERIES 20 NEW STYLE	\$48.00	
H887	EQUIV. HOWE NO. 60800182 SIZE: A. 3.406" B. 1.88" LOOP ASSEMBLY	\$96.00	

HOWE

# Individual Howe Scale Parts

## Cast Pipe Lever Suspension and Bearings

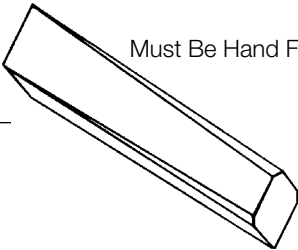

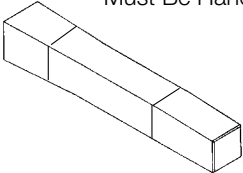
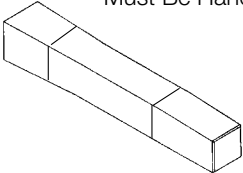
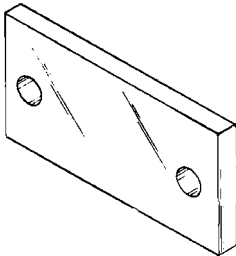
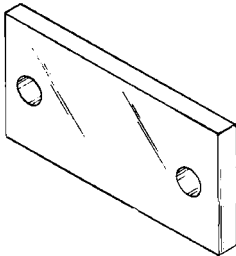
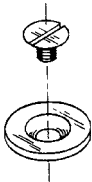
RL PART #	DESCRIPTION	SUGG. LIST	
H942	EQUIV. HOWE NO. 5316, 40803528 SIZE: 7.5" W x 4.31" H x 4.28" L REPLACES TEE BLOCK 5316 CASTING NO. REPLACES TEE BLOCK 40803528	\$290.00	
H914	EQUIV. HOWE NO. 4857, 40805386 SIZE: 6" x 5 15/16" x 11" REPLACES 4857 CASTING NO.	\$315.00	
22143	EQUIV. HOWE NO. 20790 SIZE: 6" x 8 3/4" x 11" REPLACES 20790 CASTING NO.	\$350.00	
H944	EQUIV. HOWE NO. 40814330, 18234, 13790 SIZE: 8" x 1 5/16" x 9" REPLACES CASTING NO. 40814330, 18234, 13790 & 40804741	\$225.00	
H703	EQUIV. HOWE NO. 44043783 SIZE: 11" W x 1 3/4" H x 12" L CASTING NO. NC 43783, 19124, 40802638	\$265.00	
H627	EQUIV. HOWE NO. DF NO. 2, 42034891 20301, K34891 SIZE: 3/4" x 5/8" x 4" BEARING, LOAD & FULCRUM 5-, 10-, & 15- TON CAST PIPE LEVER	\$61.00	
H668	EQUIV. HOWE NO. DF NO. 1, 43078106, L78106 SIZE: 1 5/16" x 7/8" x 6" BEARING, LOAD & FULCRUM 20-, 30-, & 50-TON CAST PIPE LEVER	\$72.00	
H836	EQUIV. HOWE NO. DF NO. 3, J37141 SIZE: 1 3/4" x 7/8" x 2" BEARING, TORQUE TUBE & SHACKLES	\$48.00	
H859	EQUIV. HOWE NO. DF NO. 4 SIZE: 1 9/16" x 11/16" x 1 3/4" BEARING, 5-, 10-, & 15- TON	\$48.00	

**HOWE**



# Individual Howe Scale Parts

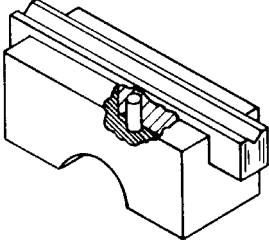
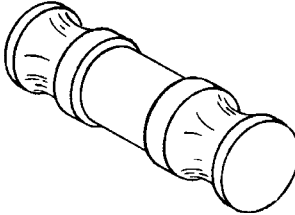
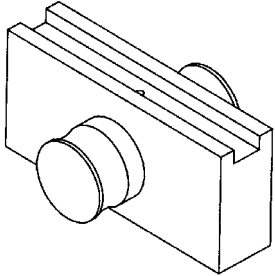
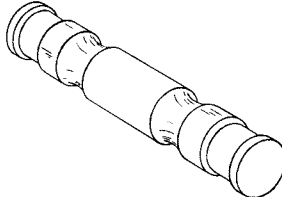
Cast Pipe Lever Pivots and Straight Lever Friction Plates

RL PART #	DESCRIPTION	SUGG. LIST	
H855P	EQUIV. HOWE NO. 40801203 SIZE: 7/8" SQ LARGE END x 13/16" SQ SMALL END x 7 3/4" L PIVOT, 10 & 15 TON FULLY MACHINED TYPE	\$81.00	 Must Be Hand Fit
H856P	EQUIV. HOWE NO. 40801137 SIZE: 1 1/8" SQ LARGE END x 1 1/16" SMALL END x 10 1/4" L PIVOT, 20 & 30 TON FULLY MACHINED TYPE	\$98.00	 Must Be Hand Fit
H876P	EQUIV. HOWE NO. N/A SIZE: 1" SQ LARGE END x 3/4" SQ SMALL END x 7 3/4" L PIVOT	\$118.00	 Must Be Hand Fit
H878P	EQUIV. HOWE NO. N/A SIZE: 1 1/4" SQ LARGE END x 1 1/8" SQ SMALL END x 11 1/8" L PIVOT	\$128.00	
H618	EQUIV. HOWE NO. 42043862 SIZE: 1/4" x 1 1/2" x 3" L HOLE SIZE: 5/16" ANTI-FRICTION PLATE	\$12.00	
H619	EQUIV. HOWE NO. 42035211 SIZE: 3/16" x 3/4" x 1 1/2" L HOLE SIZE: 9/32" ANTI-FRICTION PLATE	\$10.00	
H693	EQUIV. HOWE NO. 42040429 SIZE: 1 1/4" DIA HOLE SIZE: 17/64" ANTI-FRICTION PLATE	\$12.00	
14884	SCREW: 1/4-20 x 5/16"	\$.50	

HOWE

# Individual Howe Scale Parts

Dura-Steel Suspension Saddles and Trunnions

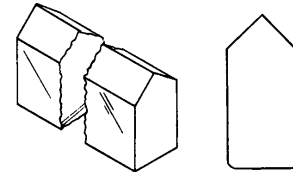
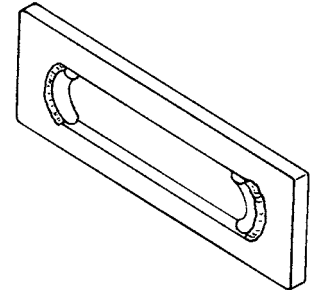
RL PART #	DESCRIPTION	SUGG. LIST	
H711	EQUIV. HOWE NO. 42103228 SIZE: 2" x 2" x 5" BEARING, HOLDER USE BEARING NO. H624	\$85.00	
H712	EQUIV. HOWE NO. 42103227 SIZE: 2 1/8" DIA x 5 1/4" PIN, FOR BEARING HOLDER	\$105.00	
H907	EQUIV. HOWE NO. 62111015 SIZE: 5 1/2" x 4" x 8 1/2" SADDLE BLOCK ASSEMBLY USE BEARING H848	\$340.00	
H713	EQUIV. HOWE NO. 42103226 SIZE: 2 1/8" DIA x 8 1/2" TRUNNION	\$135.00	
H906	EQUIV. HOWE NO. 42111013 SIZE: 2 1/2" DIA x 9" TRUNNION	\$175.00	

**HOWE**

# Individual Howe Scale Parts

Dura-Steel Links and Pivots

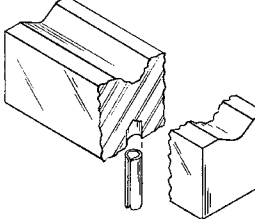
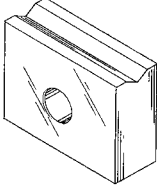
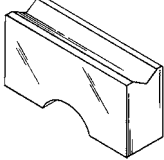
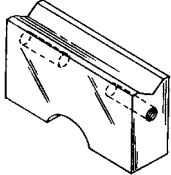
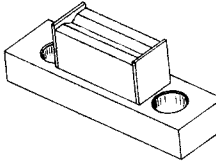
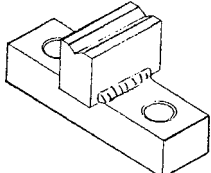
RL PART #	DESCRIPTION	SUGG. LIST
H714L	EQUIV. HOWE NO. 62103221 SIZE: 3/4" x 5" x 12 3/8" LINK I.D. 8 3/8" WILL FIT POWELL SCALE ALSO	\$86.00
H905L	EQUIV. HOWE NO. 62111017 SIZE: 1 x 5" x 14" LINK I.D. 10 1/8"	\$148.00
H616P	EQUIV. HOWE NO. 40802085 SIZE: 1/2" x 1 1/8" x 6 1/2" PIVOT MOST COMMON	\$38.00



HOWE

# Individual Howe Scale Parts

## Truck Scale Bearings

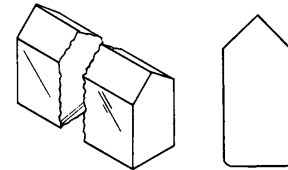
RL PART #	DESCRIPTION	SUGG. LIST	
H625	EQUIV. HOWE NO. 40805922 SIZE: 1" x 1" x 3 1/4" HOLE SIZE: 1/4" BEARING	\$35.00	
H691	EQUIV. HOWE NO. 40803894 SIZE: 1" x 1" x 4" HOLE SIZE: 1/4" BEARING	\$41.00	 <p>ROLL PIN 15263</p>
H624	EQUIV. HOWE NO. 40805916 SIZE: 1" x 1" x 6 1/2" HOLE SIZE: 1/4" BEARING	\$47.00	
H848	EQUIV. HOWE NO. 40807000 SIZE: 1" x 1" x 10" HOLE SIZE: 1/4" BEARING	\$73.00	
H645	EQUIV. HOWE NO. 42103716 SIZE: 1" x 2" x 2 5/8" HOLE SIZE: 11/16" FOR PORTABLE VEHICLE SCALES	\$42.00	
H622	EQUIV. HOWE NO. 42103282 SIZE: 5/8" x 1 1/4" x 2 3/8" BEARING, UPPER SHACKLE	\$27.00	
H623	EQUIV. HOWE NO. 42103281 SIZE: 5/8" x 1 1/4" x 2 3/8" 1/4-20 TAPPED HOLES	\$31.00	
P701	EQUIV. HOWE NO. N/A SIZE: 2" x 1 7/8" x 6" BEARING ASSEMBLY LOWER BEARING LENGTH: 2 3/4"	\$59.00	
P702	EQUIV. HOWE NO. N/A SIZE: 2" x 1 3/4" x 6" BEARING ASSEMBLY UPPER BEARING LENGTH: 2 3/4"	\$56.00	

**HOWE**

# Individual Howe Scale Parts

Motor Truck, Industrial, Axle Load and Livestock Scale Pivots

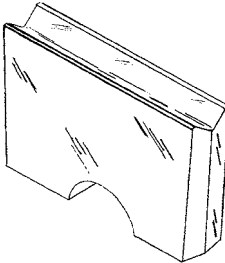
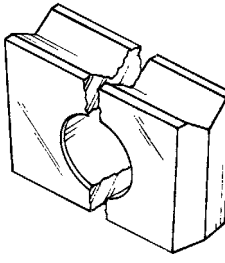
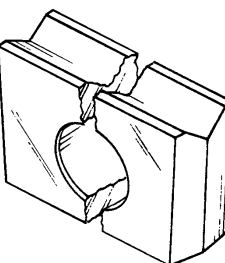
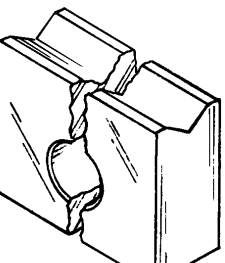
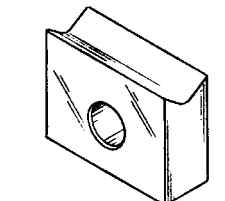

RL PART #	DESCRIPTION	SUGG. LIST
H852P	EQUIV. HOWE NO. 40807048 SIZE: 1/2" x 1 1/8" x 10" SQUARE BOTH ENDS	\$61.00
H616P	EQUIV. HOWE NO. 40802085 SIZE: 1/2" x 1 1/8" x 6 1/2" SQUARE BOTH ENDS	\$38.00
H655P	EQUIV. HOWE NO. 40803860 SIZE: 1/2" x 1 1/8" x 4" SQUARE BOTH ENDS	\$35.00
H610P	EQUIV. HOWE NO. 40801070 SIZE: 1/2" x 1 1/8" x 3 1/2" SQUARE BOTH ENDS 60 & 80-TON LOAD & FULCRUM	\$31.00
H620P	EQUIV. HOWE NO. 40805312 SIZE: 1/2" x 1 1/8" x 3 1/4" SQUARE BOTH ENDS	\$31.00
H611P	EQUIV. HOWE NO. 40801090 SIZE: 1/2" x 1 1/8" x 2 3/4" SQUARE BOTH ENDS 50-TON LOAD & FULCRUM	\$29.00
H612P	EQUIV. HOWE NO. 40801081 SIZE: 1/2" x 1 1/8" x 2 1/2" SQUARE BOTH ENDS	\$28.00
H626P	EQUIV. HOWE NO. 40801080 SIZE: 1/2" x 1 1/8" x 2 1/4" SQUARE BOTH ENDS	\$27.00
H621P	EQUIV. HOWE NO. 40801126 SIZE: 1/2" x 1 1/8" x 2 1/4" TAPERED BOTH ENDS	\$27.00
H613P	EQUIV. HOWE NO. 40801092 SIZE: 1/2" x 1 1/8" x 2 1/8" SQUARE BOTH ENDS	\$26.00
H614P	EQUIV. HOWE NO. 40801131 SIZE: 1/2" x 1 1/8" x 2" TAPERED BOTH ENDS	\$26.00
H615P	EQUIV. HOWE NO. 40801076 SIZE: 1/2" x 1 1/8" x 1 1/2" TAPERED BOTH ENDS	\$25.00
H656P	EQUIV. HOWE NO. 40801248 SIZE: 1/2" x 1 1/8" x 1 3/32" TAPERED ONE END	\$22.00
H617P	EQUIV. HOWE NO. 40801077 SIZE: 1/2" x 1 1/8" x 1" TAPERED ONE END	\$19.00
H692P	EQUIV. HOWE NO. 40804124 SIZE: 1/2" x 1 1/8" x 1 3/16" TAPERED BOTH ENDS	\$22.00



**HOWE**

# Individual Howe Scale Parts

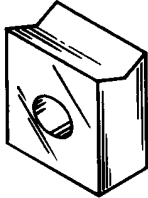
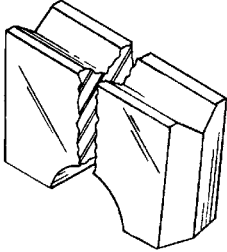
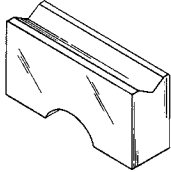
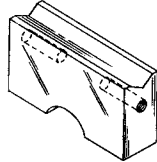
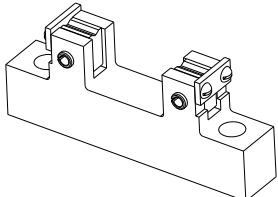
Motor Truck, Industrial Light Truck, Axle Load and Livestock Scale Bearings

RL PART #	DESCRIPTION	SUGG. LIST	
H647	EQUIV. HOWE NO. 42138860 SIZE: 5/8" x 2" x 3 1/4" L HOLE SIZE: 1/2 of 1 1/32" TAPERED END 30-, 60- & 80-TON LOAD & FULCRUM BEARING NEW STYLE	\$37.00	
H601	EQUIV. HOWE NO. 42052705 SIZE: 5/8" x 2" x 3 1/4" L HOLE SIZE: 1 1/32" TAPERED ON END, BEARING 30-, 60- & 80-TON LOAD & FULCRUM, OLD STYLE	\$37.00	
H602	EQUIV. HOWE NO. 42043855 SIZE: 5/8" x 2" x 2 1/2" L HOLE SIZE 1 1/32" TAPERED ENDS 20- & 50-TON LOAD T-BLOCK	\$32.00	
H603	EQUIV. HOWE NO. 42043937 SIZE: 5/8" x 1 1/4" x 2" L HOLE SIZE 41/64" TAPERED ENDS	\$26.00	
H604	EQUIV. HOWE NO. 42043940 SIZE: 5/8" x 1 1/4" x 1 5/8" L HOLE SIZE: 33/64" TAPERED ENDS	\$25.00	
H605	EQUIV. HOWE NO. 42043939 SIZE: 5/8" x 1 1/4" x 1 1/2" L HOLE SIZE: 33/64" SQUARE ENDS	\$23.00	
H606	EQUIV. HOWE NO. 42043938 SIZE: 5/8" x 1 1/4" x 1" L HOLE SIZE: 33/64" SQUARE ENDS	\$23.00	
H630	EQUIV. HOWE NO. 42035173 SIZE: 1/2" x 1 1/8" x 1 15/32" L HOLE SIZE: 13/32" BEARING	\$25.00	

**HOWE**

# Individual Howe Scale Parts

Motor Truck, Industrial, Light Truck, Axle Load and Livestock Scale Bearings

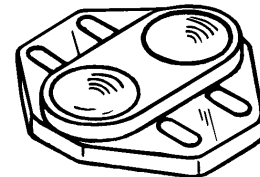
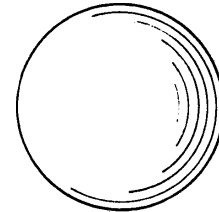
RL PART #	DESCRIPTION	SUGG. LIST	
H607	EQUIV. HOWE NO. 41036433 SIZE: 1/2" x 1 1/8" x 1" L HOLE SIZE: 25/64"	\$21.00	
H609	EQUIV. HOWE NO. 42044398 SIZE: 5/8" x 1 1/4" x 2" L TAPERED END	\$25.00	
H608	EQUIV. HOWE NO. 42044397 SIZE: 5/8" x 1 1/4" x 2 1/2" L TAPERED END 20-& 50-TON FULCRUM BEARING	\$27.00	
H901	EQUIV. HOWE NO. 42146392 SIZE: 7/8" x 1 5/16" x 2" L TAPERED END	\$59.00	
*H902	EQUIV. HOWE NO. 42146338 SIZE: 1" x 1 7/16" x 2 7/8" L TAPERED END	\$62.00	
H622	EQUIV. HOWE NO. 42103282 SIZE: 5/8" x 1 1/4" x 2 3/8" L STRAIGHT ENDS	\$27.00	
H623	EQUIV. HOWE NO. 42103281 SIZE: 5/8" x 1 1/4" x 2 3/8" L 1/4-20 TAPPED HOLES STRAIGHT ENDS	\$31.00	
102066	EQUIV. HOWE NO. 40802640 LC 43925 SIZE: 1 1/2" x 3 3/4" x 8 3/8" MAIN LEVER LOWER TIP CONNECTION	\$240.00	

HOWE

# Individual Howe Scale Parts

Cast and Super Cast Truck Scale Parts and Miscellaneous Diameter Balls

RL PART #	DESCRIPTION	SUGG. LIST
33648	EQUIV. THURMAN NO. N/A SIZE: 3 1/2" DIA BALL (CAST) WT 6 LB	\$35.00
33649	EQUIV. HOWE NO. 42094659 SIZE: 3" DIA BALL (CAST) WT 4 LB 3 OZ	\$23.00
33646	EQUIV. THURMAN NO. N/A SIZE: 2 1/2" DIA BALL (CAST) WT 2 LB 1 OZ	\$21.00
H644	EQUIV. HOWE NO. 42102471 SIZE: 2 3/8" DIA BALL (CAST) WT 2 LB 3 OZ	\$21.00
33645	EQUIV. THURMAN NO. N/A SIZE: 2" DIA BALL (STEEL) WT 1 LB 2 OZ	\$26.00
H697	EQUIV. HOWE NO. N/A SIZE: 1 1/2" DIA BALL (STEEL) WT 8 OZ	\$17.00
TH927	EQUIV. THURMAN NO. N/A SIZE: 1 7/16" DIA BALL (STEEL) WT 4 OZ	\$16.00
H648	EQUIV. HOWE NO. 42035848 SIZE: 1 5/16" DIA BALL (STEEL) WT 6 OZ MODELS: 57, TYPE 54, FLOOR SCALES ETC.	\$14.00
10772	EQUIV. HOWE NO. N/A SIZE: 1" DIA BALL (STEEL) WT 1 OZ	\$11.00
18816	EQUIV. HOWE NO. N/A SIZE: 7/8" DIA BALL (STEEL) WT 1 OZ	\$12.00
10993	EQUIV. HOWE NO. N/A SIZE: 3/4" DIA BALL (STEEL) WT 1 OZ	\$9.00
18815	EQUIV. HOWE NO. N/A SIZE: 5/8" DIA BALL (STEEL) WT 1 OZ	\$10.00
H703	EQUIV. HOWE NO. 44043783 CASTING NO. 40802638, NC 43783 SIZE: 11" W x 1 3/4" H x 12" BALL PLATE FOR 20-, 30-, 50-, 60-, & 80-TON CAPACITY TRUCK SCALES WT 31 LB	\$265.00



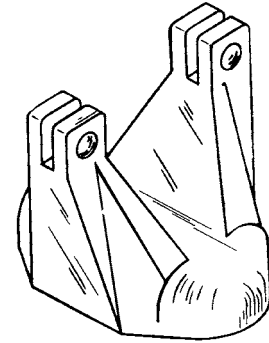
**HOWE**



# Individual Howe Scale Parts

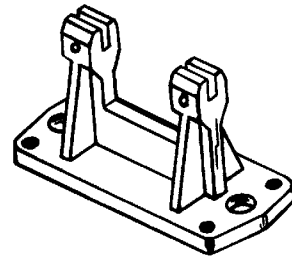
Cast and Super Cast Truck Scale Parts (Cont.)

RL PART #	DESCRIPTION	SUGG. LIST
H704	EQUIV. HOWE NO. 62093965, 45043779 CASTING NO. 40802637, PC 43779 SIZE: 7" W x 9" H x 11" T-ASSEMBLY FOR 20- & 50-TON CAPACITY TRUCK SCALES WITH BEARING & PINS WT 61 LB	\$390.00
H716	EQUIV. HOWE NO. 62090971, 62126599, 44052706, 43126598 CASTING NO. 40802656 SIZE: 10 1/4" W x 10" H x 11 1/2" T-ASSEMBLY FOR 30-,60-, & 80-TON CAPACITY TRUCK SCALES WITH BEARING AND PINS WT 88 LB	\$560.00

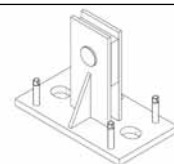


## Dura-Steel and Cast Straight Lever Fulcrum Stands

RL PART #	DESCRIPTION	SUGG. LIST
H702	EQUIV. HOWE NO. 62088963, 44043774 REPLACES CASTING NO. NC43774, 40802636 SIZE: 6 1/2" x 8" x 15" MAIN LEVER STAND FOR 20- & 50-TON	\$310.00
H715	EQUIV. HOWE NO. 62124298, 43124297 62090922, 44052704 REPLACES CASTING NO. PC52704, 40802653 SIZE: 8" x 9" x 17" MAIN LEVER STAND FOR 30-, 60- & 80-TON	\$395.00
H918	EQUIV. HOWE NO. 62098972, 44043916 REPLACES CASTING NO. NC43916, 40802644 SIZE: 7 1/2" x 14" x 15 1/4" CENTER EXTENSION LEVER STAND 50-TON	\$340.00
*H917	EQUIV. HOWE NO. 62104416, 44096673 REPLACES CASTING NO. NC96673, 40802594 SIZE: 7 1/2" x 14" x 16 1/8" CENTER EXTENSION LEVER STAND 60- & 80-TON	\$340.00
H921	EQUIV. HOWE NO. 62093971, 44043915 REPLACES CASTING NO. NC43915, 40802643 SIZE: 7 1/2" x 12" x 11 3/4" END EXTENSION LEVER STAND 50-TON	\$340.00
*H936	EQUIV. HOWE NO. 62090970, 44052711 REPLACES CASTING NO. NC52711, 40802654 SIZE: 7 5/8" x 12" x 12 1/4" END EXTENSION LEVER STAND 60- & 80-TON	\$340.00
H910	EQUIV. HOWE NO. 62103235 SIZE: 8" x 14" x 11" MAIN LEVER STANDS, DURA-STEEL STEEL FABRICATED FOR H624 BEARING WILL FIT HARDIN TRUCK SCALES ALSO	\$310.00




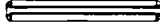

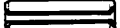



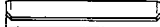






With Bearing, Pins and Leveling Bolts



\*Item obsolete or discontinued. When remaining stock is depleted, published prices are withdrawn and the item is subject to a special order quote.

# Individual Howe Scale Parts

Motor Truck Scale and Axle Load Scale Parts

RL PART #	DESCRIPTION	SUGG. LIST		
15256	EQUIV. HOWE NO. 10902998 SIZE: 3/16" DIA x 1 1/2" ROLL PIN	\$1.25		
15263	EQUIV. HOWE NO. 20906224 SIZE: 1/4" DIA x 3/4" ROLL PIN	\$1.10		
15290	EQUIV. HOWE NO. 20906027 SIZE: 3/8" DIA x 1 1/2" ROLL PIN	\$2.00		
116181	SIZE 3/8" DIA X 2 1/2"			
15301	EQUIV. HOWE NO. 20905682 SIZE: 1/2" DIA x 1 3/4" ROLL PIN	\$1.75		
H637	EQUIV. HOWE NO. 40801235 SIZE: 5/8" DIA x 1 3/4" KNURLED PIN	\$10.00		
H632	EQUIV. HOWE NO. 40801166 SIZE: 5/8" DIA x 2 3/8" KNURLED PIN	\$11.00		
H633	EQUIV. HOWE NO. 40800890 SIZE: 1" DIA x 2 3/8" KNURLED PIN	\$13.00		

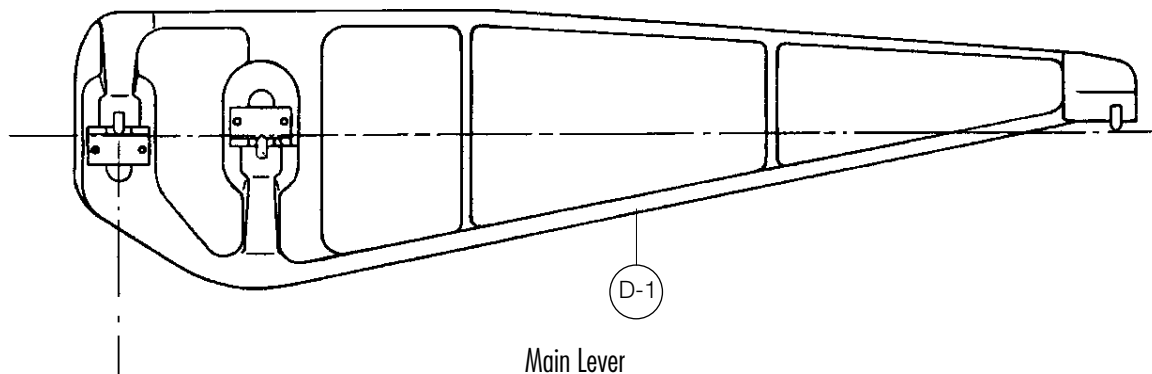
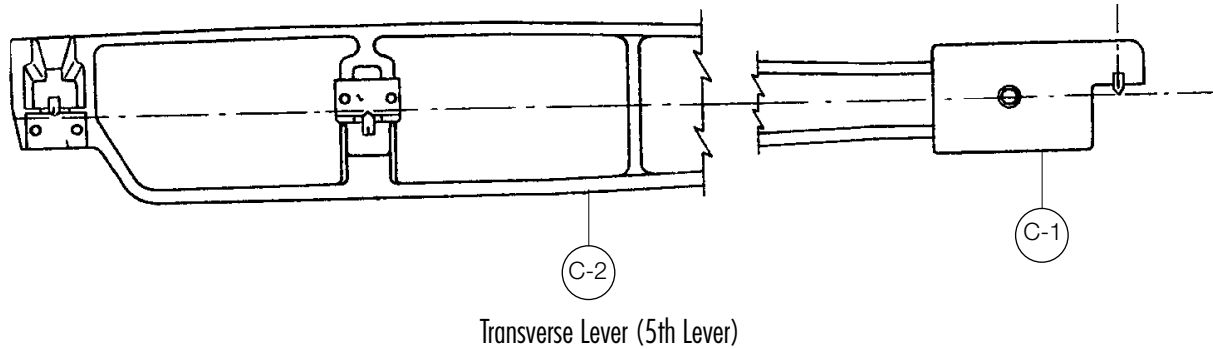
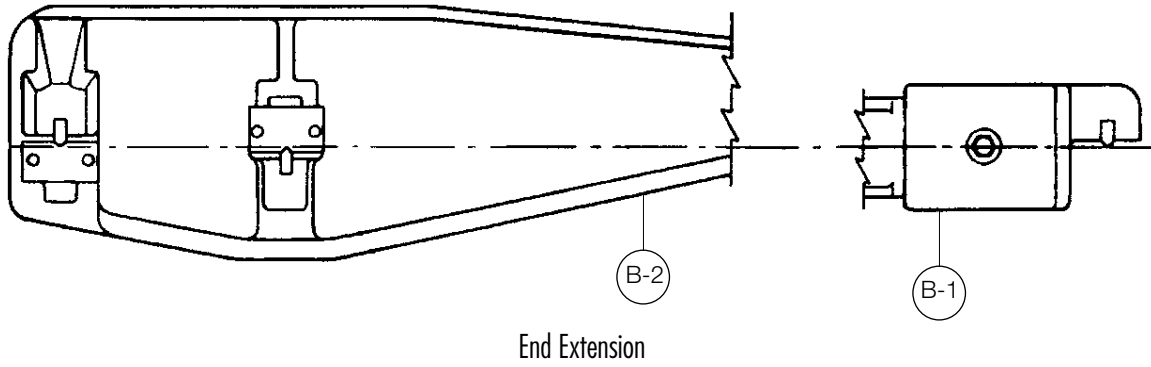
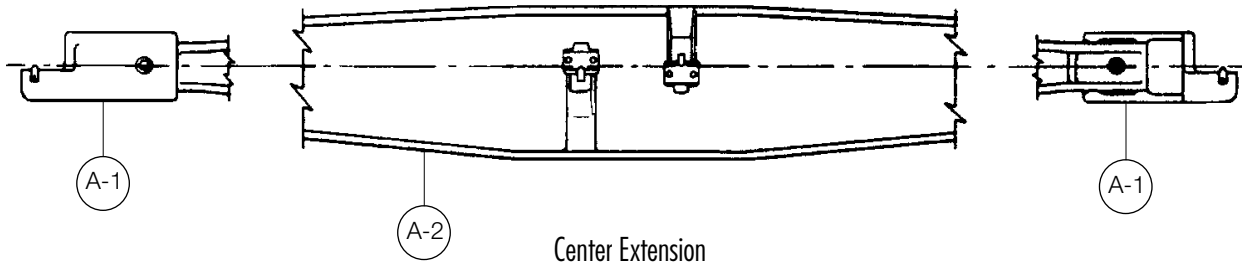
## Howe Parts Available But Not Shown

RL PART #	DESCRIPTION	SUGG. LIST
H920	EQUIV. HOWE NO. N/A SIZE: 1" x 1" x 6"	\$55.00

**HOWE**

# Reconditioned Levers Available

Call With Casting #



HOWE

# Reconditioned Levers Available

Call for Pricing & Availability

REFERENCE #	DESCRIPTION	CASTING #
A-1	NOSE IRON NOSE IRON	OLD CASTING NO. NC43911 NEW CASTING NO. 40802658

REFERENCE #	DESCRIPTION	CASTING #
A-2	CENTER EXTENSION 14'2" CENTER EXTENSION 14'2" CENTER EXTENSION 16'8" CENTER EXTENSION 16'8" CENTER EXTENSION 14'10" CENTER EXTENSION 14'10"	OLD CASTING NO. NC44391 NEW CASTING NO. 40802649 OLD CASTING NO. PC43819 NEW CASTING NO. 40802650 NEW CASTING NO. 40810042 NEW CASTING NO. 40810043

REFERENCE #	DESCRIPTION	CASTING #
B-1	NOSE IRON NOSE IRON	OLD CASTING NO. NC43872 NEW CASTING NO. 40802657

REFERENCE #	DESCRIPTION	CASTING #
B-2	END EXTENSION 10' END EXTENSION 10' END EXTENSION 12'6" END EXTENSION 12'6" END EXTENSION 10'10" END EXTENSION 7'6" END EXTENSION 10'10"	OLD CASTING NO. PC44389 OLD CASTING NO. NC44931 NEW CASTING NO. 40802647 OLD CASTING NO. PC43871 NEW CASTING NO. 40802648 NEW CASTING NO. 40802645 NEW CASTING NO. 40802646 NEW CASTING NO. 40810045

REFERENCE #	DESCRIPTION	CASTING #
C-1	NOSE IRON NOSE IRON	OLD CASTING NO. NC43872 NEW CASTING NO. 40802657

REFERENCE #	DESCRIPTION
C-2	TRANSVERSE LEVER, PLEASE CALL

REFERENCE #	DESCRIPTION	CASTING #
D-1	MAIN LEVER 50 TON MAIN LEVER 50 TON MAIN LEVER 50 TON MAIN LEVER 60 TON MAIN LEVER 60 TON	OLD CASTING NO. PC43720 OLD CASTING NO. PC55441 NEW CASTING NO. 40802635 OLD CASTING NO. PC52703 NEW CASTING NO. 40802655

**HOWE**

# Individual Howe Scale Parts

## Railroad Track Scale Parts

RL PART #	DESCRIPTION	SUGG. LIST
H2111RRP	EQUIV. HOWE NO. N/A PIVOT, 3/4" x 1 1/2" x 6 1/2"	\$112.00
H2112RRP	EQUIV. HOWE NO. N/A PIVOT, 3/4" x 1 1/2" x 5" PIVOT, 1" x 2" x 9"	\$104.00
H2117RRP	EQUIV. HOWE NO. N/A PIVOT, 3/4" x 1 1/2" x 12 3/8"	\$198.00
H2119RRP	EQUIV. HOWE NO. 40808260 PIVOT, 1" x 2" x 20"	\$322.00
H2125RRP	EQUIV. HOWE NO. 60816859 PIVOT, 3/4" x 1 1/2" x 10"	\$137.00
H2316RR	EQUIV. HOWE NO. 42114517 BEARING, 1 1/2" x 1 3/4" x 5 1/8"	\$200.00
H2317RR	EQUIV. HOWE NO. 42114518 BEARING, 1 1/2" x 1 3/4" x 6"	\$200.00
H2318RR	EQUIV. HOWE NO. 40816725 BEARING, 1" x 1 1/4" x 6 1/2"	\$195.00
H2319RR	EQUIV. HOWE NO. 40816724 BEARING, 1" x 1 1/4" x 12 3/8"	\$242.00
H2320RR	EQUIV. HOWE NO. 41039539 BEARING, 1" x 1 7/16" x 2 3/8"	\$106.00
H2325RR	EQUIV. HOWE NO. N/A BEARING, 1" x 1" x 10"	\$144.00
H2500RR	EQUIV. HOWE NO. K114407 LINK	\$495.00
H2501RR	EQUIV. HOWE NO. 62121944 SADDLE BLOCK	\$844.00
H2502RR	EQUIV. HOWE NO. 42114397 TRUNNION	\$382.00
H2503RR	EQUIV. HOWE NO. N/A TRUNNION	\$382.00

**HOWE**

# HOWE KITS

HOWE

# Howe Kit Price Index

By Rice Lake Part Number

<u>RL PART #</u>	<u>SUGG. LIST</u>	<u>PAGE #</u>	<u>RL PART #</u>	<u>SUGG. LIST</u>	<u>PAGE #</u>	<u>RL PART #</u>	<u>SUGG. LIST</u>	<u>PAGE #</u>
H-651-K.....	\$2,400.00.....	200	H-671-K.....	\$1,800.00....	206,208	H-688-K.....	\$284.00.....	211
H-652-K.....	\$2,500.00.....	201	H-672-K.....	\$3,600.00....	207,209	H-689-K.....	\$295.00.....	211
H-653-K.....	\$3,730.00.....	202	H-673-K.....	\$1,350.00.....	206	H-1150-RK ...	\$18,500.00.....	213
H-654-K.....	\$4,960.00.....	203	H-675-K.....	\$1,200.00.....	210	H-1202-RK....	\$22,625.00.....	213
H-655-K.....	\$4,030.00.....	204	H-676-K.....	\$775.00.....	199	H-1202-SRK...	\$19,510.00.....	213
H-656-K.....	\$4,900.00.....	205	H-677-K.....	\$2,750.00.....	200	H-1203-RK....	\$12,850.00.....	211
H-659-K.....	\$1,360.00.....	208	H-678-K.....	\$3,230.00.....	201	H-1203-SRK ...	\$19,200.00.....	212
H-660-K.....	\$1,400.00.....	208	H-679-K.....	\$5,200.00.....	202	H-1204-RK....	\$19,900.00.....	212
H-661-K.....	\$2,600.00.....	209	H-680-K.....	\$6,400.00.....	204			
H-662-K.....	\$2,700.00.....	209	H-681-K.....	\$6,400.00.....	203			
H-663-K.....	\$2,625.00.....	206	H-682-K.....	\$7,560.00.....	205			
H-664-K.....	\$2,900.00.....	207	H-684-K.....	\$4,300.00.....	207			
H-669-K.....	\$583.00.....	199	H-686-K.....	\$375.00.....	210			
H-670-K.....	\$375.00.....	199	H-687-K.....	\$450.00.....	210			

\*Item obsolete or discontinued. When remaining stock is depleted, published prices are withdrawn and the item is subject to a special order quote.

XX Call for Details

# Howe Kit Cross Reference

By Equivalent Howe Number

<u>EQUIV. HOWE #</u>	<u>RL PART #</u>	<u>PAGE #</u>	<u>EQUIV. HOWE #</u>	<u>RL PART #</u>	<u>PAGE #</u>	<u>EQUIV. HOWE #</u>	<u>RL PART #</u>	<u>PAGE #</u>
<b>Motor Truck Scales, Super Cast:</b>			<b>Portable Vehicle Scales, Self-Contained:</b>			<b>Portable &amp; Bench Dial Scales:</b>		
70810292.....	H-653-K.....	202	70819732.....	H-659-K.....	208	70819446.....	H-676-K.....	199
70816905.....	H-654-K.....	203	70819733.....	H-660-K.....	208	70819448.....	H-674-K.....	XX
70816906.....	H-651-K.....	200						
70818312.....	H-655-K.....	204						
70818313.....	H-652-K.....	201						

\*Item obsolete or discontinued. When remaining stock is depleted, published prices are withdrawn and the item is subject to a special order quote.

XX Call for Details

HOWE

# Portable Beam and Bench Scale

## Kit No. H-669-K

Portable Beam Scale, Models 54 & 57

QTY	RL PART #	EQUIV. HOWE #	DESCRIPTION
1	H698P	40800295	PIVOT, LOAD BEAM
8	H646P	42034246	PIVOT, LOAD & FULCRUM
4	H676	43066321	BEARING, LOAD W/PIN & COTTER MODEL 57
4	H677	10904911	PIN, WITH CLIPS
4	H701	52069557	LOOP, CORNER ASSEMBLY
2	H858P	42066333	PIVOT, CENTER CONNECTION
4	H913	42102378	BEARING, LOAD, OLD STYLE
4	H648	42035848	BALLS
1	H699P	40800815	PIVOT, FULCRUM
1	H933P	40800367	PIVOT, TIP

**\$583.00** Sugg. List / 6 lb Ship Wt.

## Kit No. H-670-K

For Bench and Portable Scales, Models 54XL, 54XL1, 54XL2, X-Actron XL Models 5400, 5401, 5402, 6400, 6401, 6402, 7401, 7402, Triner 2100, 2200, Apache

QTY	RL PART #	EQUIV. HOWE #	DESCRIPTION
11	H670P	N/A	PIVOT, LOAD, FULCRUM, NOSE CONN
2	H705	62111464	HANGER ASSEMBLY, LONG
2	H706	62111465	HANGER ASSEMBLY, SHORT
4	H707	22111450	HANGER CLIP
1	H708	62111462	CENTER HANGER ASSEMBLY
4	H709	42111422	BEARING, LOAD
1	H834	60266639	LOOP

**\$375.00** Sugg. List / 3 lb Ship Wt.

## Kit No. H-676-K

For Portable & Bench Scales Understructure, 26" x 32" & 32" x 32", Models 5700-1, 5700-2, 5700-3, 5700-4, 5800-1, 5800-2, 5800-3, 5800-4, 9400-1, 9400-2, 9500-1, 9500-2, 9700-1, 9700-2, 9800-1, 9800-2

EQUIV. HOWE # 70819446

QTY	RL PART #	EQUIV. HOWE #	DESCRIPTION
8	H654	40806973	BEARING
8	H669P	42106554	PIVOT
2	H679P	42106396	PIVOT
2	H681	N/A	BEARING
1	H682	42092818	BEARING
1	H683P	42092817	PIVOT
8	H680L	22035255	LINK

**\$775.00** Sugg. List / 5 lb Ship Wt.

HOWE



# Truck Scale

## Kit No. H-651-K

20-Ton, 2-Section Truck & Axle Load Scale, Cast Straight Lever & Super Cast Main Lever Casting No. PC43720, PC55441 or 40802635, Models 5918, 5922, 5930, 5982, 5984, 5986, 5988 & Axle Load Models 2908 & 2910

EQUIV. HOWE # 70816906

QTY	RL PART #	EQUIV. HOWE #	DESCRIPTION
8	H602	42043855	BEARING, LOAD, MAIN LEVER
8	H608	42044397	BEARING, FULCRUM, MAIN LEVER
16	H611P	40801080	PIVOT, LOAD & FULCRUM, MAIN LEVER
12	H617P	40801088	PIVOT, TIP
12	H606	42043938	BEARING, TIP, SHACKLES
4	H603	42043937	BEARING, LOAD, END EXTENSION
6	H609	42044398	BEARING, FULCRUM END EXTENSION & TRANSVERSE
8	H613P	40801092	PIVOT, LOAD & FULCRUM, END EXTENSION
2	H604	42043940	BEARING, LOAD, TRANSVERSE LEVER
2	H612P	40801081	PIVOT, LOAD, TRANSVERSE LEVER
2	H626P	40801080	PIVOT, FULCRUM, TRANSVERSE LEVER
1	H615P	40801076	PIVOT, TIP, TRANSVERSE LEVER
1	H630	42035173	BEARING, TIP, TRANSVERSE LEVER
28	H618	42043862	FRICTION PLATE
14	H619	42035211	FRICTION PLATE
8	H633	40800890	KNURLED PIN
14	15301	20805682	ROLL PIN
10	H637	40801235	KNURLED PIN

**\$2,400.00** Sugg. List / 57 lb Ship Wt.

## Kit No. H-677-K

Suspension Kit For H-651-K

QTY	RL PART #	EQUIV. HOWE #	DESCRIPTION
8	33649	42094659	BALL, 3" DIA. CAST
4	H703	40802638	BALL PLATE
4	H704	40802637	TEE BLOCK

**\$2,750.00** Sugg. List / 445 lb Ship Wt.

HOWE

# Truck Scale

## Kit No. H-652-K

30-Ton, 2-Section Truck & Axle Load Scale, Cast Straight Lever & Super Cast Main Lever Casting No. PC52703 or 40802655, Models 5992, 5994, & Axle Load 3910, 3912, 3914

EQUIV. HOWE # 70818313

QTY	RL PART #	EQUIV. HOWE #	DESCRIPTION
16.....	H601*	42052705	BEARING, LOAD & FULCRUM, MAIN LEVER
16.....	H610P	40801070	PIVOT, LOAD & FULCRUM, MAIN LEVER
12.....	H617P	40801077	PIVOT, TIP
12.....	H606	42043938	BEARING, TIP, SHACKLES
4.....	H603	42043937	BEARING, LOAD, END EXTENSION
6.....	H609	42044398	BEARING, FULCRUM, END EXTENSION
8.....	H613P	40801092	PIVOT, LOAD & FULCRUM, END EXTENSION
2.....	H604	42043940	BEARING, LOAD, TRANSVERSE LEVER
2.....	H612P	40801081	PIVOT, LOAD, TRANSVERSE LEVER
2.....	H626P	40801080	PIVOT, FULCRUM, TRANSVERSE LEVER
1.....	H615P	40801076	PIVOT, TIP, TRANSVERSE LEVER
1.....	H630	42035173	BEARING, TIP, TRANSVERSE LEVER
28.....	H618	42043862	FRICITION PLATES
14.....	H619	42035211	FRICITION PLATES
8.....	H633	40800890	KNURLED PINS
14.....	15301	20905682	ROLL PINS
10.....	H637	40801235	KNURLED PINS

**\$2,500.00** Sugg. List / 53 lb Ship Wt.

\* Some scales use H647 in place of H601. Unless specified, we will ship both H601 & H647. Bearings not used may be returned for credit.

## Kit No. H-678-K

Suspension Kit For H-652-K

QTY	RL PART #	EQUIV. HOWE #	DESCRIPTION
8.....	33649	42094659	BALL, 3" DIA CAST
4.....	H703	40802638	BALL PLATE
4.....	H716	40802656	TEE BLOCK ASSEMBLY

**\$3,230.00** Sugg. List / 530 lb Ship Wt.

HOWE

# Truck Scale

## Kit No. H-653-K

50-Ton, 4-Section Truck Scale, Cast Straight Lever & Super Cast Main Lever Casting No. PC43720, PC55441 or 40802635, Models 5958, 5960, or 5964

EQUIV. HOWE # 70810292

QTY	RL PART #	EQUIV. HOWE #	DESCRIPTION
16.....	H602.....	42043855.....	BEARING, LOAD, MAIN LEVER
16.....	H608.....	42044397.....	BEARING, FULCRUM, MAIN LEVER
32.....	H611P.....	40801090.....	PIVOT, LOAD & FULCRUM, MAIN LEVER
24.....	H617P.....	40801077.....	PIVOT, TIP
2.....	H605.....	42043939.....	BEARING, TIP, SHACKLES
24.....	H606.....	42043938.....	BEARING, TIP, SHACKLES
10.....	H603.....	42043937.....	BEARING, LOAD, END & CENTER EXTENSION
8.....	H609.....	42044398.....	BEARING, FULCRUM, END & CENTER EXT
18.....	H613P.....	40801092.....	PIVOT, LOAD & FULCRUM, EXTENSION LEVERS
2.....	H604.....	42043940.....	BEARING, LOAD, TRANSVERSE LEVER
2.....	H612P.....	40801081.....	PIVOT, LOAD, TRANSVERSE LEVER
3.....	H615P.....	40801076.....	PIVOT, TIP, END EXTENSION & TRANSVERSE LEVER
1.....	H630.....	42035173.....	BEARING, TIP, TRANSVERSE LEVER
32.....	H618.....	42043862.....	FRICTION PLATE
12.....	H619.....	42035211.....	FRICTION PLATE
16.....	H632.....	40801166.....	KNURLED PIN
16.....	H633.....	40800890.....	KNURLED PIN
34.....	15301.....	20905682.....	ROLL PIN
64.....	15263.....	20906224.....	ROLL PIN
14.....	H637.....	40801235.....	KNURLED PIN

**\$3,730.00** Sugg. List / 88 lb Ship Wt.

## Kit No. H-679-K

Suspension Kit For H-653-K

QTY	RL PART #	EQUIV. HOWE #	DESCRIPTION
16.....	33649.....	42094659.....	BALL, 3" DIA CAST
8.....	H703.....	40802638.....	BALL PLATE
8.....	H704.....	40802637.....	TEE BLOCK

**\$5,200.00** Sugg. List / 890 lb Ship Wt.

*Additional parts are needed if the scale has an offset transverse lever or a load cell in the pit. See Pages 244-245 for add-on kits for your application.*

HOWE

# Truck Scale

## Kit No. H-654-K

50-Ton, 5-Section Truck Scale, Cast Straight Lever & Super Cast Main Lever Casting No. PC43720, PC55441 or 40802635, Models 5970, 5974

EQUIV. HOWE # 70816905

QTY	RL PART #	EQUIV. HOWE #	DESCRIPTION
20.....	H602.....	42043855.....	BEARING, LOAD, MAIN LEVER
20.....	H608.....	42044397.....	BEARING, FULCRUM, MAIN LEVER
42.....	H611P.....	40801090.....	PIVOT, LOAD & FULCRUM, MAIN LEVER
32.....	H617P.....	40801077.....	PIVOT, TIP
4.....	H605.....	42043939.....	BEARING, TIP, SHACKLES
34.....	H606.....	42043938.....	BEARING, TIP, SHACKLES
14.....	H603.....	42043937.....	BEARING, LOAD, END & CENTER EXTENSION
10.....	H609.....	42044398.....	BEARING, FULCRUM, END & CENTER EXT
22.....	H613P.....	40801092.....	PIVOT, LOAD & FULCRUM, EXTENSION LEVERS
2.....	H604.....	42043940.....	BEARING, LOAD, TRANSVERSE LEVER
2.....	H612P.....	40801081.....	PIVOT, LOAD, TRANSVERSE LEVER
5.....	H615P.....	40801076.....	PIVOT, TIP, END EXTENSION & TRANSVERSE LEVER
1.....	H630.....	42035173.....	BEARING, TIP, TRANSVERSE LEVER
40.....	H618.....	42043862.....	FRICITION PLATE
16.....	H619.....	42035211.....	FRICITION PLATE
20.....	H632.....	40801166.....	KNURLED PIN
20.....	H633.....	40800890.....	KNURLED PIN
38.....	15301.....	20905682.....	ROLL PIN
80.....	15263.....	20906224.....	ROLL PIN
16.....	H637.....	40801235.....	KNURLED PIN

**\$4,960.00** Sugg. List / 110 lb Ship Wt.

## Kit No. H-681-K

Suspension Kit For H-654-K

QTY	RL PART #	EQUIV. HOWE #	DESCRIPTION
20.....	33649.....	42094659.....	BALL, 3" DIA CAST
10.....	H703.....	40802638.....	BALL PLATE
10.....	H704.....	40802637.....	TEE BLOCK

**\$6,400.00** Sugg. List / 1111 lb Ship Wt.

*Additional parts are needed if the scale has an offset transverse lever or a load cell in the pit. See Pages 244-245 for add-on kits for your application.*

**HOWE**

# Truck Scale

## Kit No. H-655-K

60-& 80-Ton, 4-Section Truck Scale, Cast Straight Lever & Super Cast Main Lever Casting No. PC52703  
or 40802655, Models 6958, 6960, 6964 & 8960

EQUIV. HOWE # 70818312

QTY	RL PART #	EQUIV. HOWE #	DESCRIPTION
32.....	H601*	42052705	BEARING, LOAD & FULCRUM, MAIN LEVER
32.....	H610P	40801070	PIVOT, LOAD & FULCRUM, MAIN LEVER
24.....	H617P	40801077	PIVOT, TIP
24.....	H606	42043938	BEARING, TIP, SHACKLES
2.....	H605	42043939	BEARING, TIP, SHACKLES
10.....	H603	42043937	BEARING, LOAD, END & MIDDLE EXTENSION LEVER
2.....	H604	42043940	BEARING, LOAD, TRANSVERSE LEVER
8.....	H609	42044398	BEARING, FULCRUM, END & CENTER EXTENSION
18.....	H613P	40801092	PIVOT, LOAD & FULCRUM, EXTENSION LEVERS
2.....	H612P	40801081	PIVOT, LOAD, TRANSVERSE LEVER
3.....	H615P	40801076	PIVOT, TIP, END EXTENSION & TRANSVERSE LEVER
1.....	H630	42035173	BEARING, TIP, TRANSVERSE LEVER
32.....	H618	42043862	FRICITION PLATE
12.....	H619	42035211	FRICITION PLATE
32.....	H633	40800890	KNURLED PIN
34.....	15301	20905682	ROLL PIN
64.....	15263	20906224	ROLL PIN
14.....	H637	40801235	KNURLED PIN

**\$4,030.00** Sugg. List / 107 lb Ship Wt.

*\*Some scales use H647 in place of H601. Unless specified, we will ship both H601 & H647.  
Bearings not used may be returned for credit.  
Scales with serial numbers lower than 74-01106 use H601.  
Scales with serial numbers higher than 74-01106 use H647.*

## Kit No. H-680-K

Suspension Kit For H-655-K

QTY	RL PART #	EQUIV. HOWE #	DESCRIPTION
16.....	33649	42094659	BALL, 3" DIA CAST
8.....	H703	40802638	BALL PLATE
8.....	H716	40802656	TEE BLOCK ASSEMBLY

**\$6,400.00** Sugg. List / 1057 lb Ship Wt.

*Additional parts are needed if the scale has an offset transverse lever or a load cell in the pit. See Pages 246-247 for add-on kits for your application.*

HOWE

# Truck Scale

## Kit No. H-656-K

60- & 80-Ton, 5-Section Truck Scale, Cast Straight Lever & Super Cast Main Lever Casting No. PC52703, or 40802655, Models 6970, 8970, & 8980

QTY	RL PART #	EQUIV. HOWE #	DESCRIPTION
40.....	H601.....	42052705.....	BEARING, LOAD & FULCRUM, MAIN LEVER
40.....	H610P.....	40801070.....	PIVOT, LOAD & FULCRUM, MAIN LEVER
32.....	H617P.....	40801077.....	PIVOT, TIPS
32.....	H606.....	42043938.....	BEARING, TIPS
5.....	H615P.....	40801076.....	PIVOT, TIP, END EXTENSION & TRANSVERSE LEVER
4.....	H605.....	42043939.....	BEARING, TIP, END EXTENSION & EVEN LEVER
22.....	H613P.....	40801092.....	PIVOT, LOAD & FULCRUM, END & CENTER EXTENSION
14.....	H603.....	42043937.....	BEARING, LOAD, EXTENSION LEVERS & F UP PULL
10.....	H609.....	42044398.....	BEARING, FULCRUM, END & CENTER EXTENSION
2.....	H604.....	42043940.....	BEARING, LOAD, TRANSVERSE LEVER
2.....	H612P.....	40801081.....	PIVOT, LOAD, TRANSVERSE LEVER
1.....	H630.....	42035173.....	BEARING, TIP, TRANSVERSE LEVER
44.....	H618.....	42043862.....	FRICITION PLATE
18.....	H619.....	42035211.....	FRICITION PLATE
40.....	H633.....	40800890.....	KNURLED PIN
38.....	15301.....	20905682.....	ROLL PIN
80.....	15263.....	20906224.....	ROLL PIN
16.....	H637.....	40801235.....	KNURLED PIN

**\$4,900.00** Sugg. List / 135 lb Ship Wt.

Bearings not used may be returned for credit.  
Scales with serial numbers lower than 74-01106 use H601.  
Scales with serial numbers higher than 74-01106 use H647.

## Kit No. H-682-K

Suspension Kit For H-656-K

QTY	RL PART #	EQUIV. HOWE #	DESCRIPTION
20.....	33649.....	42094659.....	BALL, 3" DIA CAST
10.....	H703.....	40802638.....	BALL PLATE
10.....	H716.....	40802656.....	TEE BLOCK ASSEMBLY

**\$7,560.00** Sugg. List / 1321 lb Ship Wt.

*Additional parts are needed if the scale has an offset transverse lever or a load cell in the pit. See pages 246-247 for add-on kits for your application.*

**HOWE**

# Truck Scale

## Kit No. H-673-K

Dura-Steel Scale Kits, Steel Fabricated T-Levers 20- & 30-Ton, Pit Type, 2-Section

MODELS:	TON	SEC	LENGTH	MODELS:	TON	SEC	LENGTH
	S 20	2	8		S 30	2	10
	S 30	2	8		S 30	2	12
	S 20	2	10		S 30	2	14

QTY	RL PART #	EQUIV. HOWE #	DESCRIPTION
8.....	H616P .....	40802085 .....	PIVOT, LOAD
4.....	H620P .....	40805312 .....	PIVOT, CENTER PIPE ASSEMBLY
3.....	H621P .....	40801126 .....	PIVOT, TIP MAIN AND TRANSVERSE
2.....	H622.....	42103282 .....	BEARING, SHACKLE ASSEMBLY
3.....	H623.....	42103281 .....	BEARING, SHACKLE ASSEMBLY
8.....	H624.....	40805916 .....	BEARING, LOAD & FULCRUM
2.....	H625.....	40805922 .....	BEARING, FULCRUM STAND
8.....	H693.....	42040429 .....	ANTIFRICTION PLATE
8.....			SCREW

**\$1,350.00** Sugg. List / 29 lb Ship Wt.

## Kit No. H-671-K

Suspension Kit For H-673-K

QTY	RL PART #	EQUIV. HOWE #	DESCRIPTION
4.....	H711.....	42103228 .....	HOLDER, BEARING BLACK
4.....	H712.....	42103227 .....	PIN, TOP (SADDLE)
4.....	H713.....	42103226 .....	PIN, BOTTOM (TRUNNION)
8.....	H714L.....	62103221 .....	LINK

**\$1,800.00** Sugg. List / 139 lb Ship Wt.

## Kit No. H-663-K

Dura-Steel Scale Kits, Steel Fabricated T-Levers 50- & 60-Ton, Pit Type, 4-Section

MODELS:	TON	SEC	LENGTH	MODELS:	TON	SEC	LENGTH
	S 50	4	45		S 60	4	45
	S 50	4	50		S 60	4	50
	S 50	4	60		S 60	4	60

QTY	RL PART #	EQUIV. HOWE #	DESCRIPTION
16.....	H616P .....	40802085 .....	PIVOT, LOAD
8.....	H620P .....	40805312 .....	PIVOT, CENTER PIPE ASSEMBLY
5.....	H621P .....	40801126 .....	PIVOT, TIP MAIN AND TRANSVERSE
4.....	H622.....	42103282 .....	BEARING, SHACKLE ASSEMBLY
5.....	H623.....	42103281 .....	BEARING, SHACKLE ASSEMBLY
16.....	H624.....	40805916 .....	BEARING, LOAD & FULCRUM
4.....	H625.....	40805922 .....	BEARING, FULCRUM STAND
10.....	H693.....	42040429 .....	ANTIFRICTION PLATE
10.....			SCREW

**\$2,625.00** Sugg. List / 58 lb Ship Wt.

HOWE

# Truck Scale

## Kit No. H-672-K

Suspension Kit For H-663-K

QTY	RL PART #	EQUIV. HOWE #	DESCRIPTION
8.....	H711.....	42103228.....	HOLDER, BEARING BLACK
8.....	H712.....	42103227.....	PIN, TOP (SADDLE)
8.....	H713.....	42103226.....	PIN, BOTTOM (TRUNNION)
16.....	H714L.....	62103221.....	LINK

**\$3,600.00** Sugg. List / 280 lb Ship Wt.

## Kit No. H-664-K

Dura-Steel Scale Kits, Steel Fabricated T-Levers 50- & 60-Ton, Pit Type, 5 Section

MODELS:	TON	SEC	LENGTH
S 50	5	70	
S 60	5	70	

QTY	RL PART #	EQUIV. HOWE #	DESCRIPTION
20.....	H616P.....	40802085.....	PIVOT, LOAD
10.....	H620P.....	40805312.....	PIVOT, CENTER PIPE ASSEMBLY
6.....	H621P.....	40801126.....	PIVOT, TIP MAIN AND TRANSVERSE
5.....	H622.....	42103282.....	BEARING, SHACKLE ASSEMBLY
6.....	H623.....	42103281.....	BEARING, SHACKLE ASSEMBLY
20.....	H624.....	40805916.....	BEARING, LOAD & FULCRUM
5.....	H625.....	40805922.....	BEARING, FULCRUM STAND
12.....	H693.....	42040429.....	ANTIFRICTION PLATE
12.....		10901952.....	SCREW

**\$2,900.00** Sugg. List / 71 lb Ship Wt.

## Kit No. H-684-K

Suspension Kit For H-664-K

QTY	RL PART #	EQUIV. HOWE #	DESCRIPTION
10.....	H711.....	42103228.....	HOLDER, BEARING BLACK
10.....	H712.....	42103227.....	PIN, TOP (SADDLE)
10.....	H713.....	42103226.....	PIN, BOTTOM (TRUNNION)
20.....	H714L.....	62103221.....	LINK

**\$4,300.00** Sugg. List / 346 lb Ship Wt.

**HOWE**



# Truck Scale

## Kit No. H-659-K

Self-Contained Portable Vehicle Scale, 2-Section, 20' x 10' & 25' x 10', Models 1320 & 1325

EQUIV. HOWE # 70819732

QTY	RL PART #	EQUIV. HOWE #	DESCRIPTION
10.....	H616P .....	40802085 .....	PIVOT
3.....	H621P .....	40801126 .....	PIVOT
3.....	H622 .....	42103282 .....	BEARING
3.....	H623 .....	42103281 .....	BEARING
8.....	H624 .....	40805916 .....	BEARING
8.....	15263 .....	20906224 .....	ROLL PIN 1/4" x 3/4"
2.....	H645 .....	42103716 .....	BEARING
6.....	H693 .....	42040429 .....	ANTIFRICTION PLATES
6.....	.....	10901952 .....	SCREW

**\$1,360.00** Sugg. List / 31 lb Ship Wt.

## Kit No. H-660-K

Self-Contained Portable Vehicle Scale, 2-Section, 30' x 10', Model 1330

EQUIV. HOWE # 70819733

QTY	RL PART #	EQUIV. HOWE #	DESCRIPTION
12.....	H616P .....	40802085 .....	PIVOT
3.....	H621P .....	40801126 .....	PIVOT
2.....	H622 .....	42103282 .....	BEARING
3.....	H623 .....	42103281 .....	BEARING
10.....	H624 .....	40805916 .....	BEARING
10.....	15263 .....	20906224 .....	ROLL PIN 1/4" x 3/4"
6.....	H693 .....	42040429 .....	ANTIFRICTION PLATES
6.....	.....	10901952 .....	SCREW

**\$1,400.00** Sugg. List / 35 lb Ship Wt.

## Kit No. H-671-K

Suspension Kit For H-659-K & H-660-K

QTY	RL PART #	EQUIV. HOWE #	DESCRIPTION
4.....	H711 .....	42103228 .....	BEARING BLOCK W/PIN
4.....	H712 .....	42103227 .....	PIN, TOP (SADDLE)
4.....	H713 .....	42103226 .....	PIN, BOTTOM (TRUNNION)
8.....	H714L .....	62103221 .....	LINK

**\$1,800.00** Sugg. List / 129 lb Ship Wt.

HOWE

# Truck Scale

## Kit No. H-661-K

Self-Contained Portable Vehicle Scale, 4-Section, 40' x 10' & 50' x 10', Models 2540 & 2550

QTY	RL PART #	EQUIV. HOWE #	DESCRIPTION
24.....	H616P .....	40802085 .....	PIVOT
5.....	H621P .....	40801126 .....	PIVOT
4.....	H622.....	42103282 .....	BEARING
5.....	H623.....	42103281 .....	BEARING
16.....	H624.....	40805916 .....	BEARING
16.....	15263 .....	20906224 .....	ROLL PIN 1/4" x 3/4"
4.....	H645.....	42103716 .....	BEARING
10.....	H693.....	42040429 .....	ANTIFRICTION PLATE
10.....	.....	10901952 .....	SCREW

**\$2,600.00** Sugg. List / 64 lb Ship Wt.

## Kit No. H-662-K

Self-Contained Portable Vehicle Scale, 4-Section, 60' x 10', Model 2560 & PV 2660

QTY	RL PART #	EQUIV. HOWE #	DESCRIPTION
24.....	H616P .....	40802085 .....	PIVOT
5.....	H621P .....	40801126 .....	PIVOT
4.....	H622.....	42103282 .....	BEARING
5.....	H623.....	42103281 .....	BEARING
24.....	H624.....	40805916 .....	BEARING
20.....	15263 .....	20906224 .....	ROLL PIN 1/4" x 3/4"
10.....	H693.....	42040429 .....	ANTIFRICTION PLATE
10.....	.....	10901952 .....	SCREW

**\$2,700.00** Sugg. List / 73 lb Ship Wt.

## Kit No. H-672-K

Suspension Kit For H-661-K, H-662-K & H-663-K

QTY	RL PART #	EQUIV. HOWE #	DESCRIPTION
8.....	H711.....	42103228 .....	BEARING BLOCK W/PIN
8.....	H712.....	42103227 .....	PIN, TOP (SADDLE)
8.....	H713.....	42103226 .....	PIN, BOTTOM (TRUNNION)
16.....	H714L.....	62103221 .....	LINK

**\$3,600.00** Sugg. List / 258 lb Ship Wt.

**HOWE**

# Truck Scale

## Kit No. H-675-K

Howe Dura-Steel Light Truck & Livestock Scales, Models 2811-2817, 1270 & 350

QTY	RL PART #	EQUIV. HOWE #	DESCRIPTION
2	H616P	40802085	PIVOT, 1/2" x 1 1/8" x 6 1/2", SQUARE BOTH ENDS
1	H624	40805916	BEARING, 1" x 1" x 6 1/2", 1/4" HOLE BOTTOM
10	15263	20906224	ROLL PIN, 1/4" x 3/4"
8	H644	42102471	BALL, 2 3/8" DIA CAST
8	H655P	40803860	PIVOT, 1/2" x 1 1/8" x 4", SQUARE BOTH ENDS
4	H690	40816580	BEARING, 1/2" x 1/2" x 4"
4	H691	40803894	BEARING, 1" x 1" x 4"
2	H692P	40800899	PIVOT, 1/2" x 1 1/8" x 1 3/16", TAPERED ENDS
1	H694P	40804124	PIVOT, 37/64" x 49/64" x 2 1/2"
2	H695	42111183	BEARING, 1/2" x 1 1/8" x 1 1/4"
2	H696	42111184	BEARING, 1/2" x 1 1/8" x 1 1/4"
5	15256	10902998	ROLL PIN, 3/16" x 1 1/2"

**\$1,200.00** Sugg. List / 31 lb Ship Wt.

## Kit No. H-686-K

Add-On Kit, Load Cell In The Pit, 50- & 60-Ton, 4-Section

QTY	RL PART #	EQUIV. HOWE #	DESCRIPTION
4	H604	42043940	BEARING
2	H609	42044398	BEARING
1	H623	42103281	BEARING
2	H612P	40801081	PIVOT
4	H626P	40801080	PIVOT
1	H621P	40801126	PIVOT
2	H637	40801235	KNURLED PIN

**\$375.00** Sugg. List / 5 lb Ship Wt.

## Kit No. H-687-K

Add-On Kit, Load Cell In the Pit, 50- & 60-Ton, 5-Section

QTY	RL PART #	EQUIV. HOWE #	DESCRIPTION
4	H604	42043940	BEARING
2	H609	42044398	BEARING
4	H612P	40801081	PIVOT
2	H613P	40801092	PIVOT
4	H618	42043862	FRICTION PLATE
1	H621P	40801126	PIVOT
2	H623	42103281	BEARING
4	H626P	40801080	PIVOT
8	15263	20906224	ROLL PIN
4	15301	20905682	ROLL PIN
2	H637	40801235	KNURLED PIN

**\$450.00** Sugg. List / 10 lb Ship Wt.

HOWE

# Truck Scale

## Kit No. H-688-K

Add-On Kit, Offset Transverse Lever, 50- & 60-Ton, 4-Section

QTY	RL PART #	EQUIV. HOWE #	DESCRIPTION
2.....	H613P .....	40801092 .....	PIVOT
4.....	H617P .....	40801077 .....	PIVOT
2.....	H603.....	42043937 .....	BEARING
4.....	H606.....	42043938 .....	BEARING

**\$284.00** Sugg. List / 3 lb Ship Wt.

## Kit No. H-689-K

Add-On Kit, Offset Transverse Lever, 80-Ton

QTY	RL PART #	EQUIV. HOWE #	DESCRIPTION
2.....	H606.....	42043938 .....	BEARING
2.....	H608.....	42044397 .....	BEARING
2.....	H611P .....	40801090 .....	PIVOT
2.....	H613P .....	40801092 .....	PIVOT
2.....	H615P .....	40801076 .....	PIVOT
2.....	H617P .....	40801077 .....	PIVOT

**\$295.00** Sugg. List / 4 lb Ship Wt.

## Kit No. H-1203-RK

Howe Railroad Track Scale, 4-Section, 205-Ton, Dura-Steel Fabricated Lever System, 20" Pivots

QTY	RL PART #	EQUIV. HOWE #	SIZE	DESCRIPTION
32.....	H2125RRP.....	60816859 .....	3/4" x 1 1/2" x 10" .....	PIVOT, MAIN LEVER LOAD & FULCRUM
4.....	H2126RRP.....	40809026 .....	1/2" x 1 1/8" x 3 7/8" .....	PIVOT, MAIN LEVER TIP
8.....	H2127RRP.....	40808408 .....	1/2" x 1 1/8" x 5 1/4" .....	PIVOT, TORQUE TUBE LOAD & FULCRUM
1.....	H621P .....	40801126 .....	1/2" x 1 1/8" x 2 1/4" .....	PIVOT, TORQUE TUBE TIP
32.....	H2325RR.....	60807024 .....	1" x 1" x 10" .....	BEARING, MAIN LEVER LOAD & FULCRUM
4.....	H2329RR.....	42117596 .....	1 1/2" x 1 3/4" x 4" .....	BEARING, MAIN LEVER TIP
4.....	H2328RR.....	42114956 .....	1 1/2" x 1 3/4" x 4 1/2" .....	BEARING, TORQUE TUBE LOAD
4.....	H2322RR.....	K103229.....	1" x 1" x 5" .....	BEARING, TORQUE TUBE FULCRUM
1.....	H623.....	42103281 .....	5/8" x 1 1/4" x 2 3/8" .....	BEARING, TORQUE TUBE TIP
10.....	H693.....	42040429 .....	1 1/4" DIA .....	FRICTION PLATE

**\$12,850.00** Sugg. List / 215 lb Ship Wt.

HOWE

# Railroad Track Scale

## Kit No. H-1203-SRK

Suspension Kit for H-1203-RK

QTY	RL PART #	EQUIV. HOWE #	SIZE	DESCRIPTION
8.....	H2503RR.....	42117581.....	3 x 3 1/4" DIA x 12 1/8" ..	PIN LOWER
8.....	H2504RR.....	6211785.....	2" x 10" x 21 7/8" .....	SADDLE BLOCK
16.....	H2505RRL.....	62117580.....	1" x 10 1/4" x 21 7/8" .....	LINK

**\$19,200.00** Sugg. List / 1761 lb Ship Wt.

## Kit No. H-1204-RK

Howe 200-Ton, 4-Section, Type 7 - 20 - 100, Cast Straight Lever System, Main Lever Casting #14205, 14205S and 60808935

QTY	RL PART #	EQUIV. HOWE #	SIZE	DESCRIPTION
8.....	H2101RRP.....		1"x 1 3/4" x 5" .....	PIVOT, MAIN LEVER TIP
16.....	H2105RRP.....	40808259.....	1"x 2" x 8".....	PIVOT, MAIN LEVER FULCRUM
8.....	H2107RRP.....	40808260.....	1 1/4" x 2 1/4" x 20" .....	PIVOT, MAIN LEVER LOAD
8.....	H2311RR.....	40810277.....	1"x 1 15/16" x 5 3/16" .....	BEARING, MAIN LEVER TIP
16.....	H2300RR.....	44019193.....	2"x 2 1/2" x 7 1/2".....	BEARING, MAIN LEVER FULCRUM
8.....	H2313RR.....	40808238.....	1"x 1 1/4" x 20 1/4" .....	BEARING, MAIN LEVER LOAD
4.....	H2102RRP.....		1"x 2" x 5" 1/2" .....	PIVOT, END EXTENSION LEVER LOAD
4.....	H2103RRP.....		1"x 2" x 5" 1/2" .....	PIVOT, END EXTENSION LEVER LOAD
4.....	H2302RR.....		2"x 2 1/4" x 4 1/2" .....	BEARING, END EXTENSION LEVER FULCRUM
2.....	H2309RR.....		1 1/4"x 2" x 3" .....	BEARING, END EXTENSION LEVER TIP
4.....	H2310RR.....		1"x 2" x 4 1/4" .....	BEARING, END EXTENSION LEVER LOAD
4.....	H2103RRP.....		1"x 2" x 5 1/2" .....	PIVOT, CENTER EXTENSION LEVER LOAD
4.....	H2103RRP.....		1"x 2" x 5 1/2" .....	PIVOT, CENTER EXTENSION LEVER FULCRUM
4.....	H2303RR.....		2"x 2 3/16" x 5" .....	BEARING, CENTER EXTENSION LEVER FULCRUM
4.....	H2309RR.....		1 1/4"x 2" x 3" .....	BEARING, CENTER EXTENSION LEVER TIP
4.....	H2310RR.....		2"x 1 15/16" x 4 1/2" .....	BEARING, CENTER EXTENSION LEVER LOAD
2.....	H2108RRP.....	42128770.....	1"x 2" x 4 1/2" .....	PIVOT, TRANSVERSE LEVER FULCRUM
1.....	H2113RRP.....	40808238.....	3/4" x 1 1/2" x 3 1/2" .....	PIVOT, TRANSVERSE LEVER NOSE IRON
1.....	H2116RRP.....	40808230.....	1"x 2" x 9".....	PIVOT, TRANSVERSE LEVER LOAD
1.....	H2304RR.....		1 1/2"x 1 3/4" x 9 3/16" .....	BEARING, TRANSVERSE LEVER LOAD
2.....	H2305RR.....	43019339.....	1 1/2"x 1 5/8" x 4" .....	BEARING, TRANSVERSE LEVER FULCRUM
1.....	H2307RR.....	40820611.....	1 1/4"x 1 3/4" x 3 5/8" .....	BEARING, TRANSVERSE LEVER NOSE IRON

**\$19,900.00** Sugg. List / 562 lb Ship Wt.

HOWE

LOAD PIVOT & BEARING MAY DIFFER FROM THOSE LISTED IN THIS KIT. THE OTHER SIZES ARE LISTED BELOW:  
 THE PIVOT MAY BE 1" x 2" x 20" H2119RRP  
 THE BEARING MAY BE 1" x 1 1/2" x 20 1/4" H2321RR

# Railroad Track Scale

## Kit No. H-1150-RK

Howe Railroad Track Scale, 4-Section, 150-Ton, Type 7 - 12 1/2 - 75  
Cast Straight Lever System, Main Lever Casting #14691, 4081390

QTY	RL PART #	EQUIV. HOWE #	SIZE	DESCRIPTION
8	H2100RRP	40805933	1" x 1 3/4" x 3 1/2"	PIVOT, MAIN LEVER TIP
16	H2103RRP		1" x 2" x 5 1/2"	PIVOT, MAIN LEVER FULCRUM
8	H2106RRP		1" x 2" x 12 1/2"	PIVOT, MAIN LEVER FULCRUM
8	H2108RRP		1" x 2" x 4 1/2"	PIVOT, CENTER EXT LEVER
4	H2122RRP		1" x 2" x 6"	PIVOT, END EXTENSION FULCRUM
7	H2113RRP	40808238	3/4" x 1 1/2" x 3 1/2"	PIVOT, END & CENTER EXTENSION TIP
8	H2103RRP		1" x 2" x 5 1/2"	PIVOT, CENTER EXT. LOAD & FULCRUM
1	H2123RRP		3/4" x 2" x 6"	PIVOT
16	H2301RR	40820608	2" x 2 1/2" x 5"	BEARING, MAIN LEVER FULCRUM
4	H2303RR	42061650	2" x 2 3/16" x 5"	BEARING
8	H2306RR	40814207	1 1/2" x 1 3/4" x 3 9/16"	BEARING
8	H2308RR	42128770	1 1/2" x 1 3/4" x 3 9/16"	BEARING
8	H2309RR		1 1/4" x 2" x 3"	BEARING
8	H2312RR	40810276	1" x 1 1/2" x 12 5/8"	BEARING, MAIN LEVER LOAD
9	H2307RR	40820611	1 1/2" x 1 3/4" x 3 5/8"	BEARING
4	H2302RR		2" x 2 3/16" x 5 1/16"	BEARING
1	H2317RR	42114518	1 1/2" x 1 3/4" x 6"	BEARING, TRANSVERSE LEVER LOAD
2	H2305RR	43019339	1 1/2" x 1 5/8" x 4"	BEARING, TRANS. LEVER LOAD FULCRUM

**\$18,500.00** Sugg. List / 402 lb Ship Wt.

## Kit No. H-1202-RK

Howe Railroad Track Scale, 4-Section, 200-Ton, Dura-Steel Fabricated Lever System, 25" Pivots

QTY	RL PART #	EQUIV. HOWE #	SIZE	DESCRIPTION
32	H2117RRP		3/4" x 1 1/2" x 12 3/8"	PIVOT
4	H2112RRP	40810276	3/4" x 1 1/2" x 5"	PIVOT
24	H2111RRP	40810277	3/4" x 1 1/2" x 6 1/2"	PIVOT
2	H611P	40801090	1/2" x 1 1/8" x 2 3/4"	PIVOT
1	H621P	40801126	1/2" x 1 1/8" x 2 1/4"	PIVOT
32	H2319RR	40816724	1" x 1 1/4" x 12 3/8"	BEARING
6	H2318RR	40816725	1" x 1 1/4" x 6 1/2"	BEARING
4	H2317RR	4K114518	1 1/2" x 1 3/4" x 6"	BEARING
4	H2316RR	4K114517	1 1/2" x 1 3/4" x 5 1/8"	BEARING
2	H2320RR	41039539	1" x 1 7/16" x 2 3/8"	BEARING
1	H622	42103282	5/8" x 1 1/4" x 2 3/8"	BEARING
1	H623	42103281	5/8" x 1 1/4" x 2 3/8"	BEARING, TORQUE TUBE TIP
6	H634	20906224	1/4" DIA x 3/4"	ROLL PIN
32	H674	20906148	3/8" DIA x 1 1/2"	ROLL PIN
10	H693	42040429	1 1/4" DIA	FRICTION PLATE

**\$22,625.00** Sugg. List / 357 lb Ship Wt.

## Kit No. H-1202-SRK

Suspension Kit for H-1202-RK

QTY	RL PART #	EQUIV. HOWE #	SIZE	DESCRIPTION
16	H2500RR	K114407	1 1/4" x 10 1/2" x 25"	LINK
8	H2501RR	62121944	2" x 12" x 25"	UPPER BLOCK WITH PIN
8	H2502RR	K114397	4" DIA x 12 1/2"	LOWER PIN

**\$19,510.00** Sugg. List / 2405 lb Ship Wt.





# CARDINAL-MURPHY

CARDINAL-MURPHY



# Cardinal-Murphy Price Index

By Rice Lake Part Number

CARDINAL-MURPHY

RL PART #	SUGG. LIST	PAGE #	RL PART #	SUGG. LIST	PAGE #	RL PART #	SUGG. LIST	PAGE #
10029.....	\$160.00	225	109642.....	\$37.00	224	CM740.....	\$148.00	225
15232.....	\$1.10	XX	109643.....	\$39.00	224	CM741.....	\$148.00	225
15263.....	\$1.10	223	109644.....	\$58.00	224	CM742P.....	\$34.00	218
15266.....	\$2.00	Not Shown	111251.....	\$310.00	228	CM743P.....	\$35.00	218
15274.....	\$1.00	223	154029.....	\$22.00	222	CM744P.....	\$34.00	218
15285.....	\$1.00	223	154030.....	\$21.00	222	CM745P.....	\$41.00	218
15295.....	\$3.00	Not Shown	CM701.....	\$31.00	223	CM746P.....	\$19.00	219
15297.....	\$3.00	Not Shown	CM702.....	\$42.00	223	CM747.....	\$55.00	223
15306.....	\$6.00	Not Shown	CM703P.....	\$26.00	224	CM748P.....	\$58.00	224
22005.....	\$1.00	XX	CM704P.....	\$39.00	224	CM749.....	\$179.00	225
22100.....	\$2.50	Not Shown	CM705.....	\$30.00	223	CM750.....	\$40.00	218
44793.....	\$40.00	220	CM706.....	\$30.00	223	CM751.....	\$44.00	218
46285.....	\$69.00	219	CM707.....	\$38.00	223	CM752.....	\$41.00	218
46296.....	\$44.00	220	CM708.....	\$41.00	223	CM753.....	\$33.00	218
46299.....	\$185.00	221	CM709.....	\$45.00	223	CM754.....	\$33.00	218
46302.....	\$96.00	221	CM710P.....	\$24.00	224	CM755.....	\$40.00	220
46307.....	\$35.00	219	CM711P.....	\$25.00	224	CM756.....	\$79.00	222
46323.....	\$62.00	220	CM712P.....	\$31.00	224	CM757.....	\$46.00	218
65351.....	\$45.00	219	CM713P.....	\$37.00	224	CM759.....	\$92.00	224
66219.....	\$208.00	227	CM714P.....	\$49.00	224	CM761P.....	\$22.00	219
67297.....	\$780.00	229	CM715L.....	\$72.00	226	CM762P.....	\$18.00	219
67497.....	\$94.00	229	CM715L-2.....	\$10.00	Not Shown	CM763.....	\$27.00	220
69431.....	\$52.00	229	CM716.....	\$174.00	225	CM764.....	\$31.00	220
71005.....	\$33.00	220	CM716-1.....	\$8.00	Not Shown	CM765.....	\$280.00	227
71006.....	\$88.00	218	CM717.....	\$79.00	225	CM766.....	\$70.00	225
71008.....	\$34.00	220	CM718.....	\$74.00	222	CM767.....	\$284.00	227
89095.....	\$98.00	226,228	CM719.....	\$39.00	222	CM768.....	\$110.00	226
89099.....	\$111.00	225,228	CM720.....	\$41.00	222	CM769.....	\$175.00	220,221
89103.....	\$131.00	229	CM721.....	\$19.00	222	CM769-2.....	\$52.00	220
89137.....	\$152.00	229	CM723.....	\$32.00	219	CM770P.....	\$69.00	219
89223.....	\$184.00	225	CM724.....	\$35.00	219	CM771.....	\$174.00	225
89286.....	\$98.00	221	CM725P.....	\$23.00	219	CM772L.....	\$72.00	226
89289.....	\$111.00	226	CM726.....	\$33.00	219	CM773.....	\$69.00	221
89438.....	\$55.00	228	CM727.....	\$65.00	221	CM775L.....	\$69.00	226
89455.....	\$161.00	222	CM728.....	\$60.00	221	CM776.....	\$185.00	221
89466.....	\$310.00	228	CM729.....	\$98.00	221	CM777.....	\$41.00	220
89728.....	\$56.00	XX	CM730P.....	\$64.00	224	CM778P.....	\$35.00	220
90815.....	\$18.00	222	CM731.....	\$73.00	223	CM779.....	\$304.00	227
90836.....	\$17.00	222	CM732.....	\$23.00	220	*CM780.....	\$266.00	227
90846.....	\$15.00	222	CM733.....	\$85.00	221	CM783.....	\$155.00	221
91765.....	\$1,195.00	228	CM734P.....	\$31.00	219	CM784L.....	\$111.00	226
94458.....	\$22.00	222	CM735P.....	\$32.00	219	CM785.....	\$275.00	227
94459.....	\$28.00	222	CM736.....	\$39.00	219	CM787.....	\$47.00	218
109639.....	\$24.00	224	CM737.....	\$256.00	227	CM789P.....	\$41.00	218
109640.....	\$26.00	224	CM738.....	\$70.00	225			
109641.....	\$31.00	224	CM739L.....	\$69.00	226			

\*Item obsolete or discontinued. When remaining stock is depleted, published prices are withdrawn and the item is subject to a special order quote.

XX Call for Details

# Cardinal-Murphy Cross Reference

By Equivalent Cardinal-Murphy Number

<b>EQUIV. CARDINAL #</b>	<b>RL PART #</b>	<b>PAGE #</b>	<b>EQUIV. CARDINAL #</b>	<b>RL PART #</b>	<b>PAGE #</b>	<b>EQUIV. CARDINAL #</b>	<b>RL PART #</b>	<b>PAGE #</b>
0105-C071-OA ...	156480.....	226	0309-C008-60 ...	CM783.....	221	1411-B006.....	CM769-2.....	220
0119-B007.....	CM715L.....	225	0409-B013.....	CM769....	220,221	1411-B007.....	CM726.....	219
0119-B018.....	CM716.....	225	0409-B015.....	CM733.....	221	1411-B008.....	CM757.....	218
0119-B019.....	CM717.....	225	0409-B027.....	CM728.....	221	1412-B001-3.....	CM702.....	223
0119-B022.....	CM749.....	225	0409-B028.....	CM727.....	221	1412-B001-5.....	CM747.....	223
0119-B025.....	CM738.....	225	0409-B029.....	CM729.....	221	1412-B001-7.....	CM731.....	223
0119-B026.....	CM740.....	225	0604-B090.....	71006.....	218	1412-B001-9.....	CM701.....	223
0119-B028.....	CM766.....	225	1400-B001-5.....	CM712P.....	224	1412-B001-13....	CM708.....	223
0119-B013-1.....	CM756.....	222	1400-B001-9.....	CM703P.....	224	1412-B001-19....	CM707.....	223
0119-B103-2.....	CM718.....	222	1400-B001-13....	CM710P.....	224	1417-B001.....	CM750.....	218
0119-B125-52....	CM759.....	224	1400-B001-19....	CM704P.....	224	1417-B002.....	CM787.....	218
0119-B127-52....	CM719.....	222	1400-B001-21....	CM748P.....	224	1417-B003.....	CM751.....	218
0119-B127-52....	CM720.....	222	1400-B001-25....	CM713P.....	224	14SRF.....	CM771.....	225
0119-B127-52....	CM721.....	222	1400-B001-29....	CM730P.....	224	16SRF.....	CM715L.....	226
0119-B195.....	CM784L.....	226	1400-B004.....	CM761P.....	219	17SRF.....	CM717.....	225
0119-B197.....	CM749.....	225	1400-B005.....	CM789P.....	218	24SR.....	CM788.....	XX
0119-C007.....	CM784L.....	226	1400-B006.....	CM742P.....	218	26SR.....	CM768L.....	XX
0119-C008.....	CM767.....	218	1400-B007.....	CM744P.....	218	27SR.....	CM766.....	226
0119-C009.....	CM765.....	227	1400-B008.....	CM743P.....	218	44SRF.....	CM741.....	225
0119-C010.....	CM779.....	227	1400-B009.....	CM745P.....	218	46SRF.....	CM775L.....	226
0119-C013.....	CM780.....	227	1401-B006-1.....	CM762P.....	219	47SRF.....	CM738.....	225
0119-C014.....	CM739L.....	226	1401-B006-3.....	CM746P.....	219	61353-3.....	CM733.....	221
0119-C016.....	CM737.....	227	1401-B007-2.....	CM725P.....	219	C-37.....	CM727.....	221
0119-C017.....	CM768L.....	XX	1401-B008-2.....	CM734P.....	219	C-38.....	CM728.....	221
0119-C019.....	CM788.....	XX	1401-B009-1.....	CM735P.....	219	C-39.....	CM729.....	221
0119-0040.....	66219.....	227	1401-B011-1.....	CM770P.....	219	C113.....	CM769.....	221
0119-C068.....	CM785.....	227	1411-B004.....	CM732.....	220	D68.....	CM733.....	221
0309-B003.....	CM773.....	221	1411-B005.....	CM755.....	220			
0309-C007-61....	CM776.....	221						

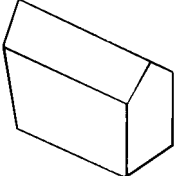
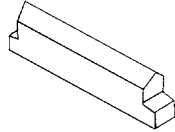
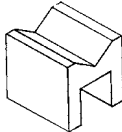
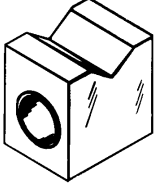
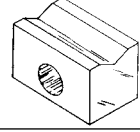
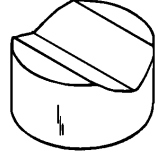
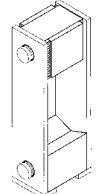
\*Item obsolete or discontinued. When remaining stock is depleted, published prices are withdrawn and the item is subject to a special order quote.

XX Call for Details

**CARDINAL-MURPHY**

# Individual Cardinal-Murphy Scale Parts

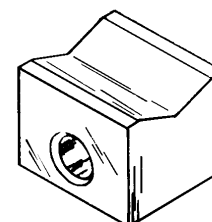
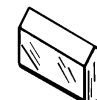
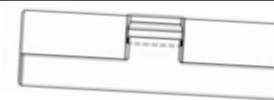
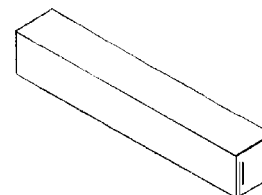
## Dormant Scale Parts

RL PART #	DESCRIPTION	SUGG. LIST	
CM744P	EQUIV. CARDINAL NO. 1400-B007 SIZE: 3/8" x 3/4" x 1" PIVOT, TAPERED ENDS	\$34.00	
CM742P	EQUIV. CARDINAL NO. 1400-B006 SIZE: 3/8" x 3/4" x 1 1/4" PIVOT	\$34.00	
CM743P	EQUIV. CARDINAL NO. 1400-B008 SIZE: 3/8" x 3/4" x 1 7/8" PIVOT	\$35.00	
CM789P	EQUIV. CARDINAL NO. 1400-B005 SIZE: 3/8" x 3/4" x 2 3/8" PIVOT, TAPERED ENDS	\$41.00	
CM745P	EQUIV. CARDINAL NO. 1400-B009 SIZE: 3/8" x 3/4" x 2 3/4" PIVOT	\$41.00	
CM752	EQUIV. CARDINAL NO. 265 R15 SIZE: 15/16" x 15/16" x 1" BEARING	\$41.00	
CM753	EQUIV. CARDINAL NO. 265 R225 SIZE: 15/16" x 15/16" x 1" BEARING	\$33.00	
CM754	EQUIV. CARDINAL NO. 265 R219 SIZE: 7/8" x 7/8" x 11/16" BEARING	\$33.00	
CM757	EQUIV. CARDINAL NO. 1411-B008, 8265 R217 SIZE: 15/16" x 1 3/8" x 2 1/2" HOLE SIZE: .515" BEARING	\$46.00	
CM750	EQUIV. CARDINAL NO. 1417-B001, 8265 R110 SIZE: 1" DIA x 9/16" BEARING	\$40.00	
CM751	EQUIV. CARDINAL NO. 1417-B003, 8265 R21 SIZE: 1 1/4" DIA x 1" BEARING	\$44.00	
CM787	EQUIV. CARDINAL NO. 1417-B002 SIZE: 2" DIA x 1 3/8" BEARING	\$47.00	
71006	EQUIV. CARDINAL NO. 0604-B090 SIZE: 1 5/8" x 1" x 4 1/4" CENTER CONNECTION	\$88.00	

# Individual Cardinal-Murphy Scale Parts

## Hopper Scale Parts

RL PART #	DESCRIPTION	SUGG. LIST
CM762P	EQUIV. CARDINAL NO. 1401-B006-1 SIZE: 3/8" x 3/8" x 2" PIVOT	\$18.00
CM746P	EQUIV. CARDINAL NO. 1401-B006-3 SIZE: 3/8" x 3/8" x 3" PIVOT	\$19.00
CM725P	EQUIV. CARDINAL NO. 1401-B007-2 SIZE: 1/2" x 1/2" x 3" PIVOT	\$23.00
CM734P	EQUIV. CARDINAL NO. 1401-B008-2 SIZE: 5/8" x 5/8" x 3 1/2" PIVOT	\$31.00
CM735P	EQUIV. CARDINAL NO. 1401-B009-1 SIZE: 3/4" x 3/4" x 3 1/2" PIVOT	\$32.00
65351	EQUIV. CARDINAL NO. SIZE: 3/4" x 3/4" x 3 1/2" PIVOT, STAINLESS STEEL	\$45.00
CM770P	EQUIV. CARDINAL NO. 1401-B011-1 SIZE: 1" x 1" x 5" PIVOT	\$69.00
46285	PIVOT SIZE: 1" DIA x 3 1/2" USE WEDGE 46286	\$69.00
CM761P	EQUIV. CARDINAL NO. 1400-B004 SIZE: 1/4" x 5/8" x 7/8" PIVOT	\$22.00
46307	EQUIV. CARDINAL NO. SIZE: 1/4" x 5/8" x 7/8" PIVOT, STAINLESS STEEL	\$35.00
CM723	EQUIV. CARDINAL NO. N/A SIZE: 1" x 7/8" x 1 1/16" HOLE SIZE: 21/64" - OFFSET BEARING	\$32.00
CM726	EQUIV. CARDINAL NO. 1411-B007 SIZE: 1" x 7/8" x 1 1/8" HOLE SIZE: 21/64" BEARING	\$33.00
CM724	EQUIV. CARDINAL NO. N/A SIZE: 1" x 7/8" x 1 1/4" HOLE SIZE: 21/64" - OFFSET BEARING	\$35.00
CM736	EQUIV. CARDINAL NO. N/A SIZE: 1 1/4" x 1" x 1 1/4" HOLE SIZE: 25/64" BEARING	\$39.00

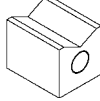

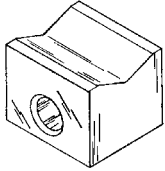
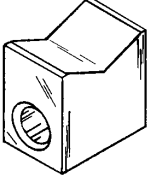
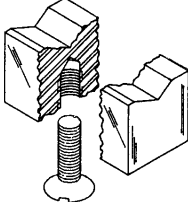
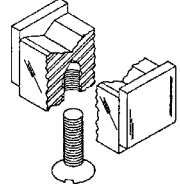
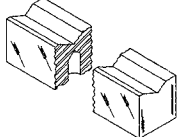
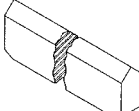


**CARDINAL-MURPHY**

# Individual Cardinal-Murphy Scale Parts

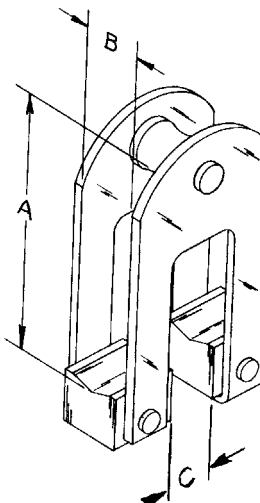
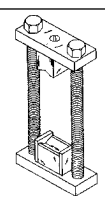
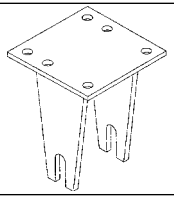
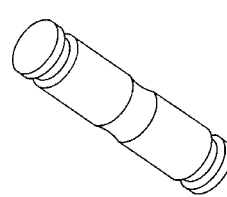
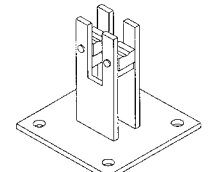
## Hopper Scale Parts

CARDINAL-MURPHY

RL PART #	DESCRIPTION	SUGG. LIST	
71005	EQUIV. CARDINAL NO. N/A SIZE: 1" x 1" x 1 1/4"	\$33.00	
71008	EQUIV. CARDINAL NO. N/A SIZE: 1" x 1 1/4" x 1 1/8" WITH FRICTIONS	\$34.00	
CM755	EQUIV. CARDINAL NO. 1411-B005 SIZE: 1 3/8" x 15/16" x 1 5/16" BEARING	\$40.00	
46323	EQUIV. CARDINAL NO. SIZE: 1 3/8" x 15/16" x 1 5/16" BEARINGS, STAINLESS STEEL	\$62.00	
44793	EQUIV. CARDINAL NO. N/A SIZE: 1 3/8" x 1 3/8" x 1 5/16" HOLE SIZE: 3/8" BEARING	\$40.00	
CM769-2	EQUIV. CARDINAL NO. 1411-B006 SIZE: 1 3/4" x 1 1/2" x 1 13/16" HOLE SIZE: 5/8" BEARING	\$52.00	
CM732	EQUIV. CARDINAL NO. 1411-B004 SIZE: 25/32" x 25/32" x 17/32" HOLE SIZE: 1/4" - OFFSET BEARING	\$23.00	
CM763	EQUIV. CARDINAL NO. N/A SIZE: 3/4" x 3/4" x 1" HOLE SIZE: 1/4"-20 THREAD BEARING SCREW NOT INCLUDED USE SCREW, RL PART # 22005	\$27.00	
CM764 46296	EQUIV. CARDINAL NO. N/A SIZE: 3/4" x 3/4" x 1 1/4" SST HOLE SIZE: 1/4"-20 THREAD BEARING, WITH FRICTION PLATES SCREW NOT INCLUDED USE SCREW, RL PART # 22005	\$31.00 \$44.00	
CM777	EQUIV. CARDINAL NO. N/A SIZE: 3/4" x 3/4" x 4 5/8" HOLE SIZE: 1/4" DIA	\$41.00	
CM778P	EQUIV. CARDINAL NO. N/A SIZE: 3/8" x 3/4" x 4 5/8" PIVOT	\$35.00	

# Individual Cardinal-Murphy Scale Parts

## Hopper Scale Parts

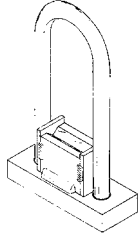
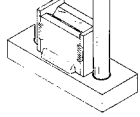
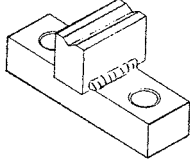
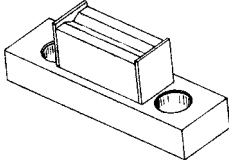
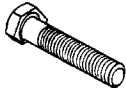
RL PART #	DESCRIPTION	SUGG. LIST	
CM728	EQUIV. CARDINAL NO. C-38, 0409-B027 SIZE: A. 2" B. 3/4" C. 9/16" ASSEMBLY INCLUDES CM732 BEARINGS AND RL PART #15266 PINS	\$60.00	
CM727	EQUIV. CARDINAL NO. C-37, 0409-B028 SIZE: A. 3 1/8" B. 1" C. 9/16" ASSEMBLY INCLUDES RL PART # CM726 BEARINGS AND RL PART # 22100 PINS	\$65.00	
CM729	EQUIV. CARDINAL NO. C-39, 0409-B029 SIZE: A. 4" B. 1 3/8" C. 1" ASSEMBLY INCLUDES RL PART # CM755 BEARINGS AND RL PART # 15295 PINS COTTER PIN PN15232	\$98.00	
46299	EQUIV. CARDINAL NO. C-39, 0409-B029 SIZE: A. 4" B. 1 3/8" C. 1" ASSEMBLY INCLUDES BEARING PN 46323 AND PIN PN 47992 STAINLESS STEEL	\$185.00	
89286	EQUIV. CARDINAL NO. SIZE A. 3 13/16" B. 1 3/8" C. 1" NEW STYLE CM 729 W/TALLER BEARINGS, PN 44793	\$98.00	
CM769	EQUIV. CARDINAL NO. C113, 0409-B013 SIZE: A. 4 1/4" B. 1 3/4" C. 1 1/2" ASSEMBLY INCLUDES RL PART # CM769-2 BEARINGS AND RL PART # 15306 PINS	\$175.00	
CM733	EQUIV. CARDINAL NO. D68, 61353-3, 0409-B015 SIZE OF PLATE: 1" x 3/8" x 2 3/4" SIZE OF BEARING: 3/4" x 3/4" x 1" SIZE OF BOLT: 3/8" - 16" x 6" UPPER BEARING: RL PART # CM763 LOWER BEARING: RL PART # CM764	\$85.00	
CM776	EQUIV. CARDINAL NO. 0309-C007-61 BASE: 8" x 8" TOTAL HEIGHT: 10 1/2" FS2, FS2.5, FS3, FS4	\$185.00	
CM773	EQUIV. CARDINAL NO. 0309-B003 SIZE: 1 1/4" DIA x 5 1/4" TRUNNION PIN FS2, FS2.5, FS3, FS4	\$69.00	
46302	EQUIV. CARDINAL NO. SIZE: 1 1/4" DIA x 5 1/4" SST TRUNNION PIN FS2, FS2.5, FS3, FS4	\$96.00	
CM783	EQUIV. CARDINAL NO. 0309-C008-60 BASE: 8" x 8" TOTAL HEIGHT: 8" ASSEMBLY INCLUDES RL PART # CM755 BEARINGS AND RL PART # 15297 PINS FS2, FS2.5, FS3, FS4	\$155.00	

CARDINAL-MURPHY

# Individual Cardinal-Murphy Scale Parts

## Truck Scale Parts

CARDINAL-MURPHY

RL PART #	DESCRIPTION	SUGG. LIST	
CM718	EQUIV. CARDINAL NO. 0119-B103-2 SIZE: BEARING, 1 5/8" LONG 3 1/4" LOOP LENGTH, INSIDE TRANSVERSE LEVER TIP LOOP	\$74.00	
CM756	EQUIV. CARDINAL NO. 0119-B103-1 SIZE: BEARING, 2 1/8" LONG 3 1/2" INSIDE LOOP LENGTH TRANSVERSE LEVER TIP LOOP	\$79.00	
CM719	EQUIV. CARDINAL NO. 0119-B127-52 SIZE: BEARING, 2 1/8" LONG TOTAL LENGTH 5" BETWEEN HOLES 3 1/4" CENTER TO CENTER HOLE SIZE: 11/16" UPPER CENTER CONNECTION	\$39.00	
CM720	EQUIV. CARDINAL NO. 0119-B127-52 SIZE: BEARING, 2 1/8" LONG TOTAL LENGTH 5" BETWEEN HOLES 3 1/4" CENTER TO CENTER HOLE SIZE: 11/16" LOWER CENTER CONNECTION	\$41.00	
*CM721	EQUIV. CARDINAL NO. 0119-B127-52 SIZE: 5/8" DIA x 18" LONG MAIN LEVER SHACKLE BOLT OTHER BOLTS LISTED BELOW	\$19.00	

## Hopper Scale Parts

RL PART #	DESCRIPTION	SUGG. LIST	
89455	EQUIV. CARDINAL NO. 0409-C017-OA SIZE: 1 1/4" X 2 1/4" X 9 3/8" CENTER CONNECTION	\$161.00	

### \*OTHER BOLTS AVAILABLE

RL PART #	DESCRIPTION	SUGG. LIST
154030.....	1/2" - 13 x 16".....	\$22.00
90846.....	5/8" - 11 x 8".....	\$15.00
90836.....	5/8" - 11 x 13".....	\$17.00
90815.....	5/8" - 11 x 16".....	\$18.00
CM721.....	5/8" - 11 x 18".....	\$19.00
154029.....	3/4" - 10 x 12".....	\$21.00
94458.....	3/4" - 10 x 15".....	\$22.00
94459.....	3/4" - 10" x 21".....	\$28.00

\*Item obsolete or discontinued. When remaining stock is depleted, published prices are withdrawn and the item is subject to a special order quote.

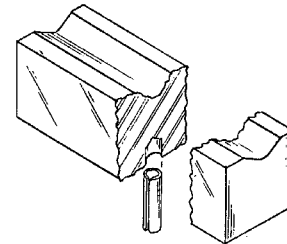
XX Call for Details

# Individual Cardinal-Murphy Scale Parts

## Truck Scale Parts

RL PART #	DESCRIPTION	SUGG. LIST
CM705	EQUIV. CARDINAL NO. N/A SIZE: 1" x 1" x 1 1/2" LONG BEARING	\$30.00
CM706	EQUIV. CARDINAL NO. N/A SIZE: 1" x 1" x 1 3/4" LONG BEARING	\$30.00
CM701	EQUIV. CARDINAL NO. 1412-B001-9 SIZE: 1" x 1" x 2" LONG BEARING	\$31.00
CM707	EQUIV. CARDINAL NO. 1412-B001-19 SIZE: 1" x 1" x 4" LONG BEARING	\$38.00
CM708	EQUIV. CARDINAL NO. 1412-B001-13 SIZE: 1" x 1" x 5" LONG BEARING	\$41.00
CM702	EQUIV. CARDINAL NO. 1412-B001-3 SIZE: 1" x 1" x 6" LONG BEARING	\$42.00
CM709	EQUIV. CARDINAL NO. N/A SIZE: 1" x 1" x 7" LONG BEARING	\$45.00
CM747	EQUIV. CARDINAL NO. 1412-B001-5 SIZE: 1" x 1" x 8" LONG BEARING	\$55.00
CM731	EQUIV. CARDINAL NO. 1412-B001-7 SIZE: 1" x 1" x 10" LONG BEARING	\$78.00
15274	EQUIV. CARDINAL NO. N/A SIZE: 5/16" DIA X 3/4" ROLL PIN	\$1.00
15263	EQUIV. CARDINAL NO. N/A SIZE: 1/4" DIA X 3/4" ROLL PIN	\$1.10
15285	EQUIV. CARDINAL NO. NA SIZE; 3/8" DIA X 1" ROLL PIN	\$1.00

HOLE SIZE ON ALL BEARINGS  
5/16" DIAMETER



PIN SOLD SEPARATELY  
BELOW



CARDINAL-MURPHY

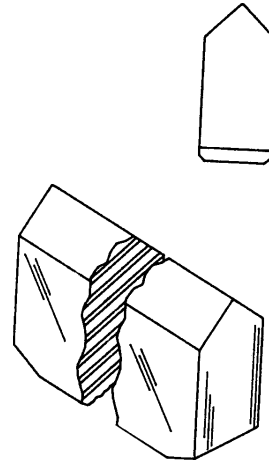


# Individual Cardinal-Murphy Scale Parts

## Truck Scale Parts

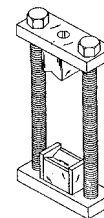
CARDINAL-MURPHY

RL PART #	DESCRIPTION	SUGG. LIST
CM710P	EQUIV. CARDINAL NO. 1400-B001-13 SIZE: 1/2" x 1 1/8" x 1 1/2" LONG PIVOT:	\$24.00
109639	.484" x 1" x 1 1/2"	\$24.00
CM711P	EQUIV. CARDINAL NO. N/A SIZE: 1/2" x 1 1/8" x 1 3/4" LONG PIVOT	\$25.00
CM703P	EQUIV. CARDINAL NO. 1400-B001-9 SIZE: 1/2" x 1 1/8" x 2" LONG PIVOT:	\$26.00
109640	.484" x 1" x 2"	\$26.00
CM712P	EQUIV. CARDINAL NO. 1400-B001-5 SIZE: 1/2" x 1 1/8" x 3 7/8" LONG PIVOT:	\$31.00
109641	.484" x 1" x 3 7/8"	\$31.00
CM713P	EQUIV. CARDINAL NO. 1400-B001-25 SIZE: 1/2" x 1 1/8" x 5" LONG PIVOT:	\$37.00
109642	.484" x 1" x 5"	\$37.00
CM704P	EQUIV. CARDINAL NO. 1400-B001-19 SIZE: 1/2" x 1 1/8" x 6" LONG PIVOT:	\$39.00
109643	.484" x 1" x 6"	\$39.00
*CM714P	EQUIV. CARDINAL NO. N/A SIZE: 1/2" x 1 1/8" x 7" LONG PIVOT:	\$49.00
CM748P	EQUIV. CARDINAL NO. 1400-B001-21 SIZE: 1/2" x 1 1/8" x 8" LONG PIVOT:	\$58.00
109644	.484" x 1" x 8"	\$58.00
CM730P	EQUIV. CARDINAL NO. 1400-B001-29 SIZE: 1/2" x 1 1/8" x 10" LONG PIVOT	\$64.00
CM759	EQUIV. CARDINAL NO. 0119-B125-52 SIZE: 1 3/4" x 4" x 15" LONG SHACKLE	\$92.00



**ALL PIVOTS ARE 0.495" W  
x 1.125" H**

When ordering, measure height & thickness. This may vary. \$2.00 net charge each for grinding to size.

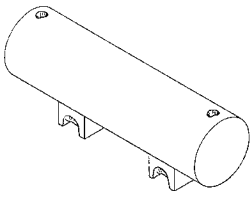
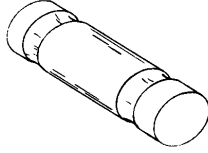

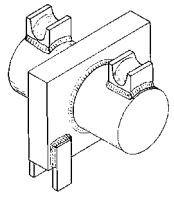
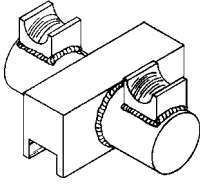
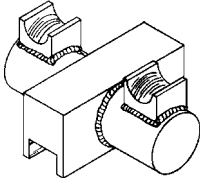


\*Item obsolete or discontinued. When remaining stock is depleted, published prices are withdrawn and the item is subject to a special order quote.

XX Call for Details

# Individual Cardinal-Murphy Scale Parts

## Truck Scale Parts

RL PART #	DESCRIPTION	SUGG. LIST	
CM738	EQUIV. CARDINAL NO. 0119-B025, 47SRF SIZE: 1 3/4" DIA x 8 1/4" LONG USE WITH CM740 OR CM741 TRUNNION (LINK PIN)	\$70.00	
CM717	EQUIV. CARDINAL NO. 0119-B019, 17SRF SIZE: 2" DIA x 9 1/4" LONG USE WITH CM716, CM771, OR CM749 TRUNNION (LINK PIN)	\$79.00	
CM766	EQUIV. CARDINAL NO. 27SR & 0119-B028 SIZE: 1 1/4" DIA x 6 3/8" LONG USE WITH CM788 & CM768L TRUNNION (LINK PIN)	\$70.00	
89099	EQUIV. CARDINAL NO. SIZE: 2 1/4" DIA. x 11 1/4" TRUNNION OLD STYLE MODEL LP NEW STYLE: 13 1/4" LONG	\$111.00	
89223	EQUIV. CARDINAL NO. SIZE: 6" x 4 1/2" x 27 3/4" TRUNNION MODEL LPL	\$184.00	
CM740	EQUIV. CARDINAL NO. 0119-B026 SIZE: 5 3/4" x 3/8" x 4 1/2" WELDED ON TABS TO HOLD BEARING USE BEARING CM708 & LINK CM739L TYPE A	\$148.00	
CM741	EQUIV. CARDINAL NO. 44SRF SIZE: 5 3/4" x 2 5/8" x 4 1/2" MACHINED SLOT TO HOLD BEARING USE BEARING CM708 & LINK CM775L TYPE B	\$148.00	
CM716	EQUIV. CARDINAL NO. 0119-B018, 14SRF SIZE: 5 3/4" x 4" x 5 1/2" WELDED ON TABS TO HOLD BEARING USE BEARING CM702 & LINK CM715L TYPE A	\$174.00	
CM771	EQUIV. CARDINAL NO. 14SRF SIZE: 5 3/4" x 3 1/4" x 5 1/2" MACHINED SLOT TO HOLD BEARING USE BEARING CM702 & LINK CM772L TYPE B	\$174.00	
CM749	EQUIV. CARDINAL NO. 0119-B022, 0119-B197 SIZE: 5 3/4" x 4" x 7 1/2" WELDED ON TAB TO HOLD BEARING USE BEARING CM747 & LINK CM784L TYPE A	\$179.00	
10029	EQUIV. CARDINAL NO. 24SR & 0119-C019 SIZE: 4 1/4" x 2" x 3 3/8" USE WITH CM766 & CM768L TYPE B (CASTING)	\$160.00	

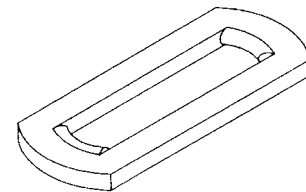
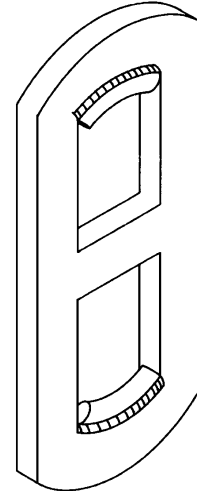
CARDINAL-MURPHY

# Individual Cardinal-Murphy Scale Parts

## Truck Scale Parts

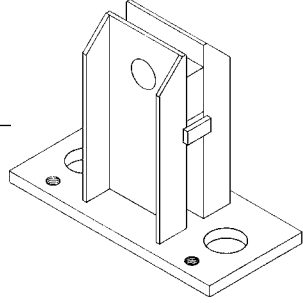
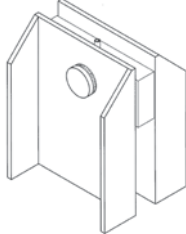
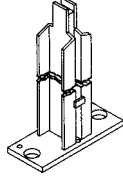
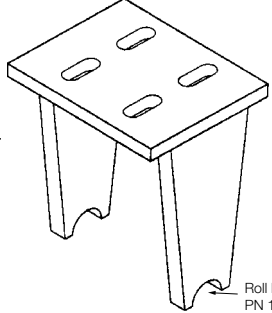
CARDINAL-MURPHY

RL PART #	DESCRIPTION	SUGG. LIST
CM739L	EQUIV. CARDINAL NO. 0119-C014 SIZE: 5/8" x 12 3/8" INSIDE LENGTH: 8 3/4" USE WITH SADDLE BLOCK CM740	\$69.00
CM775L	EQUIV. CARDINAL NO. 46SRF SIZE: 5/8" x 4 1/4" x 11 3/8" INSIDE LENGTH: 7 3/4" USE WITH SADDLE BLOCK CM741	\$69.00
CM715L	EQUIV. CARDINAL NO. 0119-B007,16SRF SIZE: 5/8" x 4 7/8" x 13 3/8" INSIDE LENGTH: 9 1/2" USE WITH SADDLE BLOCK CM716	\$72.00
CM772L	EQUIV. CARDINAL NO. N/A SIZE: 5/8" x 5" x 12 5/16" INSIDE LENGTH: 8 3/4" USE WITH SADDLE BLOCK CM771	\$72.00
CM784L	EQUIV. CARDINAL NO. 0119-C007, 0119-B195 SIZE: 5/8" x 6" x 14 1/4" INSIDE LENGTH: 9 3/8" USE WITH SADDLE BLOCK CM749	\$111.00
CM768	EQUIV. CARDINAL NO. 26SR & 0119-C017 SIZE: 1/2" x 3 5/8" x 10 1/4" INSIDE LENGTH: 7 1/4" USE WITH SADDLE BLOCK CM788	\$110.00
89289	EQUIV. CARDINAL NO. 0112-C246-OA SIZE: 5/8" x 5" x 14 1/2" INSIDE LENGTH: 10 3/4" LINK MODELS LP	\$111.00
89095	EQUIV. CARDINAL NO. 0103-C121-OA SIZE: 3/4" x 6" x 12" INSIDE LENGTH: 7" LINK, MODEL EPR	\$98.00
156479	EQUIV. CARDINAL NO. SIZE: 5/8" x 5" x 10" INSIDE LENGTH: 6" LINK MODEL EDR 35K LOAD CELLS	\$88.00
156480	EQUIV. CARDINAL NO. 0105-C071-OA SIZE: 1" x 6" x 12" INSIDE LENGTH: 7" LINK MODEL ERP 75K LOAD CELLS	\$104.00



# Individual Cardinal-Murphy Scale Parts

Truck Scale Stands and Chairs

RL PART #	DESCRIPTION	SUGG. LIST	
CM737	EQUIV. CARDINAL NO. 0119-C016 BASE: 6" x 13" x 10 1/2" HEIGHT: 9 3/8" TO BEARING FOR 5" BEARING, CM708 USED IN 20- & 25-TON, 2 SECTION 40-TON, 3 SECTION SCALE STAND	\$256.00	
CM765	EQUIV. CARDINAL NO. 0119-C009 BASE: 8" x 14" HEIGHT: 12 1/2" FOR 6" BEARING, CM702 USED IN 30-, 50- & 60-TON SCALES STAND	\$280.00	
CM779	EQUIV. CARDINAL NO. 0119-C010 BASE: 8" x 14" HEIGHT: 12 1/2" FOR 8" BEARING, CM747 USED IN 80-TON SCALE STAND	\$304.00	
66219	EQUIV. CARDINAL NO. 0119-C040 SIZE: 5" x 8" x 6" FOR PV SCALES	\$206.00	
CM785	EQUIV. CARDINAL NO. 0119-C068 BASE: 6" x 14" HEIGHT, TOTAL: 23" TORQUE TUBE STAND	\$275.00	
*CM780	EQUIV. CARDINAL NO. 0119-C013 BASE: 8" x 9" HEIGHT: 11" USE WITH CM738 TRUNNION PIN USED IN 20- & 25-TON, 2 SECTION 40-TON, 3 SECTION SCALE CHAIR	\$266.00	
CM767	EQUIV. CARDINAL NO. 0119-C008 BASE: 8" x 10" HEIGHT: 12 1/4" USE WITH CM717 TRUNNION PIN USED IN 30-TON, 2 SECTION, 50-, 60- & 80-TON, 2, 4 & 5 SECTION SCALES CHAIR	\$284.00	

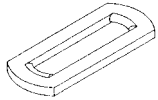
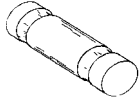

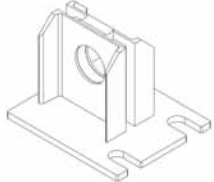
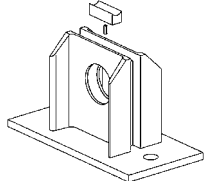
\*Item obsolete or discontinued. When remaining stock is depleted, published prices are withdrawn and the item is subject to a special order quote.

XX Call for Details

# Individual Cardinal-Murphy Scale Parts

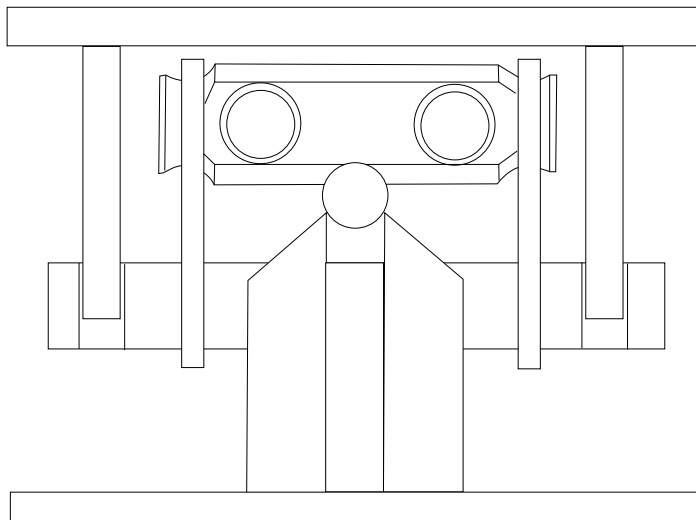
Model EPR Truck Scale

CARDINAL-MURPHY

RL PART #	DESCRIPTION	SUGG. LIST	
89095	EQUIV. CARDINAL NO. 0103-C121-OA SIZE: 3/4" x 6" x 12" LINK 7" ID 50K LOAD CELL	\$98.00	
89099	EQUIV. CARDINAL NO. 0103-B120-08 SIZE: 2 1/2" DIA. x 11 1/4" TRUNNION	\$111.00	
89438	EQUIV. CARDINAL NO. 2993-B036-08 SIZE: 1 1/4" DIA x 3 5/8" ROCKER PIVOT	\$55.00	
89466	EQUIV. CARDINAL NO. 0103-C127-OA SIZE: 11" x 13" x 9" HIGH STAND SIDE ACCESS WITH BEARING INSERT PN 89728	\$310.00	
111251	CARDINAL EQUIV. 0103-C127-OA SIZE: 11" x 13" x 9" HIGH STAND, TOP ACCESS WITH BEARING INSERT PN 89728	\$310.00	
91765	EQUIV. CARDINAL NO DB50000S LOAD CELL 50K	\$1,195.00	

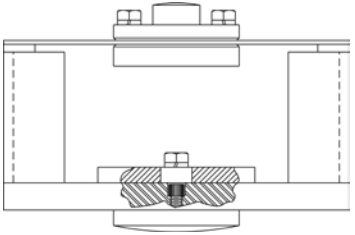
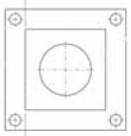

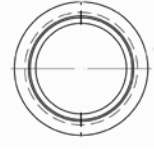

## Cardinal Diagram

NOTE: Diagram not to scale



# Individual Cardinal-Murphy Scale Parts

## Electronic Truck Scale

RL PART #	DESCRIPTION	SUGG. LIST	
67297	EQUIV. CARDINAL NO. N/A SIZE: 6" W x 7 5/16" H x 11" L LOAD CELL BOX	\$780.00	
89103	EQUIV. CARDINAL NO. 0146-B018-OA SIZE 1/2" x 6" x 6" TOP PLATE FOR TRUCK SCALES WITH SCA 50 K LOAD CELLS	\$131.00	
89137	EQUIV. CARDINAL NO. SIZE: 1" x 9" x 9" BASE PLATE WITH LEVELING LUGS FOR TRUCK SCALES WITH SCA 50 K LOAD CELLS	\$152.00	
69431	EQUIV. CARDINAL NO. SIZE: 2 1/4" DIA x 13/16" TALL LOAD CUPS WITH O RING FOR TRUCK SCALES WITH SCA 50 K LOAD CELLS	\$52.00	
67497	EQUIV. CARDINAL NO. 3501-B034 SIZE: 3/4" THICK x 4" DIA BUTTON AT TOP OF THIS PAGE FOR BOTTOM OF PN 67297	\$94.00	

**CARDINAL-MURPHY**



# CARDINAL-MURPHY KITS

CARDINAL-MURPHY



# Cardinal-Murphy Kit Price Index

By Rice Lake Part Number

<u>RL PART #</u>	<u>SUGG. LIST</u>	<u>PAGE #</u>	<u>RL PART #</u>	<u>SUGG. LIST</u>	<u>PAGE #</u>	<u>RL PART #</u>	<u>SUGG. LIST</u>	<u>PAGE #</u>
CM-751-K.....	\$925.00.....	236	CM-758-K....	\$3,450.00.....	242	CM-765-K.....	\$1,00.00.....	243
CM-752-K.....	\$975.00.....	236	CM-759-K....	\$2,750.00.....	240	CM-766-K....	\$1,100.00.....	243
CM-753-K....	\$1,140.00.....	237	CM-760-K....	\$2,200.00.....	238	CM-767-K....	\$2,995.00.....	241
CM-754-K....	\$1,550.00.....	237	CM-761-K....	\$1,980.00.....	237	CM-768-K....	\$3,500.00.....	241
CM-755-K....	\$1,800.00.....	238	CM-762-K....	\$1,375.00.....	237	CM-769-K....	\$2,575.00.....	239
CM-756-K....	\$2,400.00.....	240	CM-763-K....	\$1,320.00.....	236	CM-770-K....	\$3,120.00.....	239
CM-757-K....	\$2,825.00.....	242	CM-764-K....	\$1,544.00.....	236	CM-771-K....	\$3,120.00.....	239

# Cardinal-Murphy Kit Reference

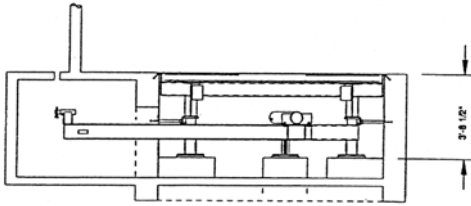
By Capacity

Pivot & Bearing Kits			Suspension Kits			Dormant Scales		
<u>CAPACITY</u>	<u>RL PART #</u>	<u>PAGE #</u>	<u>CAPACITY</u>	<u>RL PART #</u>	<u>PAGE #</u>	<u>CAPACITY</u>	<u>RL PART #</u>	<u>PAGE #</u>
15 TON .....	CM-751-K.....	236	15 TON .....	CM-764-K.....	236	6,500 LB .....	CM-765-K.....	243
20 & 25 TON ...	CM-752-K.....	236	20 & 25 TON ...	CM-763-K.....	236	12,000 LB .....	CM-766-K.....	243
30 TON .....	CM-753-K.....	237	30 TON .....	CM-762-K.....	237	50 & 60 TON ..	CM-767-K.....	241
40 TON .....	CM-754-K.....	237	40 TON .....	CM-761-K.....	237	50 & 60 TON ..	CM-768-K.....	241
50 TON .....	CM-755-K.....	238	50 TON .....	CM-760-K.....	238	50 TON .....	CM-769-K.....	239
50 & 60 TON ...	CM-756-K.....	240	50 & 60 TON ...	CM-759-K.....	240	50 TON .....	CM-770-K.....	239
80 TON .....	CM-757-K.....	242	80 TON .....	CM-758-K.....	242	50 TON .....	CM-771-K.....	239

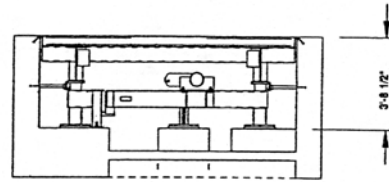
# Cardinal Truck Scale Profile

Typical Height Dimensions

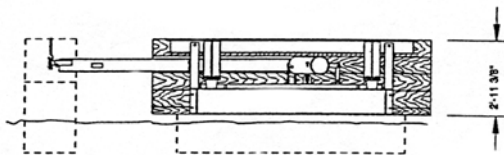
**SR MECHANICAL PIT TYPE**



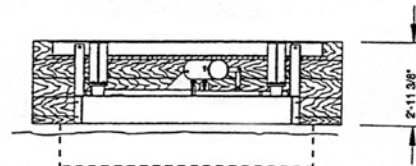
**SRL MECHANICAL PIT TYPE WITH SINGLE LOAD CELL**



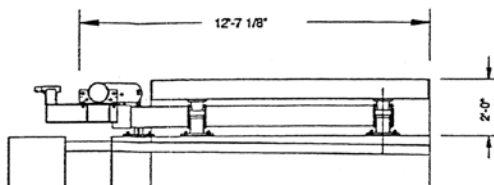
**PR MECHANICAL PORTABLE TYPE**



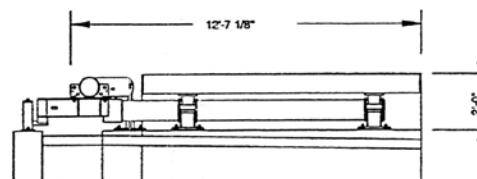
**PRL MECHANICAL PORTABLE TYPE WITH SINGLE LOAD CELL**



**LP-2 MECHANICAL LOW PROFILE WITH STEEL DECK**



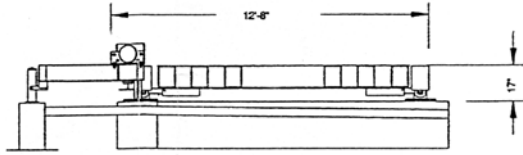
**LP-2C MECHANICAL LOW PROFILE WITH CONCRETE DECK**



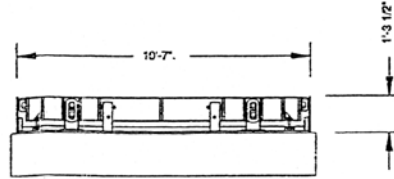
# Cardinal Truck Scale Profile

Typical Height Dimensions

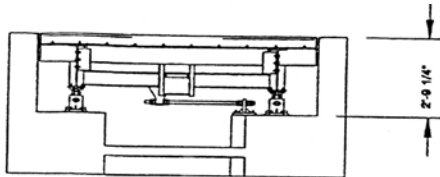
**LPL-3 MECHANICAL LOW PROFILE, FLAT TOP, SINGLE LOAD CELL**



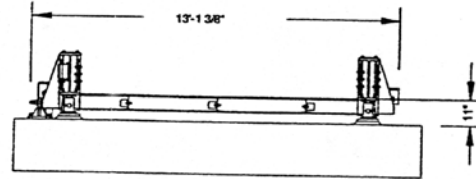
**EPR ELECTRONIC LOW PROFILE PORTABLE**



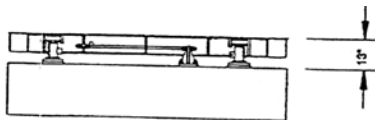
**SRC ELECTRONIC PIT TYPE**



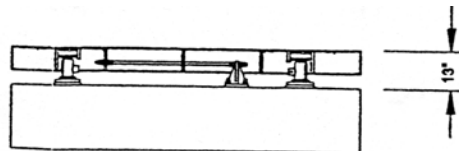
**PRC-H ELECTRONIC LOW PROFILE WITH HIPS**



**PRC-1 ELECTRONIC LOW PROFILE, FLAT TOP, STEEL DECK**

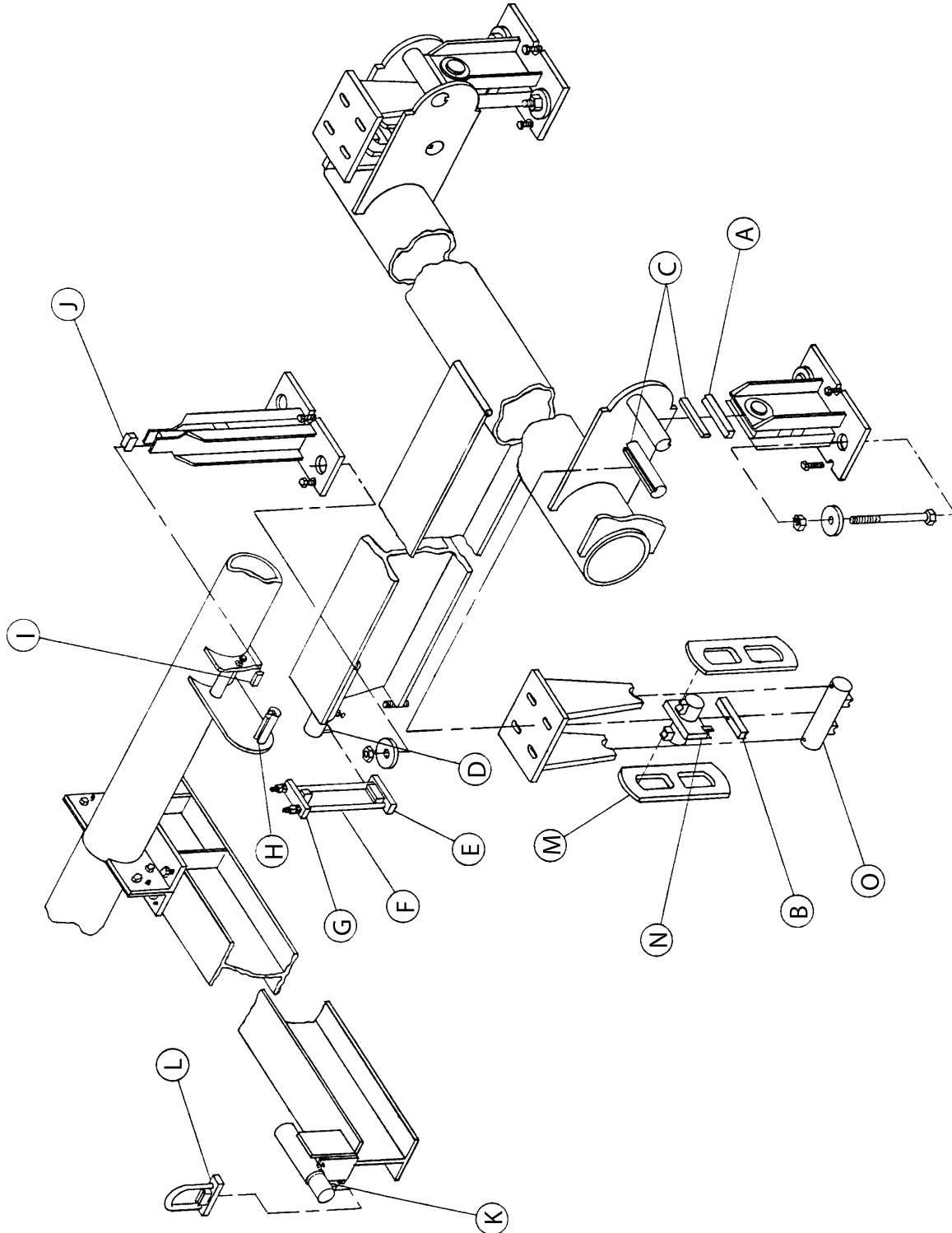


**PRC-1-C ELECTRONIC LOW PROFILE FLAT TOP CONCRETE DECK**



# Cardinal-Murphy Motor Truck Scale

## REFERENCE SHEET



MEASURE LOAD OR FULCRUM PIVOT HEIGHT AND WIDTH BEFORE ORDERING

CARDINAL-MURPHY

# Truck Scale

CARDINAL-MURPHY

## Kit No. CM-751-K

Pivot & Bearing Kit For Model 1522SR, 2-Section, 15-Ton, 22-Ft. Truck Scale\* SR, SRL, PR & PRL

REF #	QTY	RL PART #	EQUIV. CARDINAL #	DESCRIPTION
A	4	CM707	1412-B001-19	BEARING, FULCRUM
B	4	CM707	1412-B001-19	BEARING, LOAD
C	8	CM712P	1400-B001-5	PIVOT, LOAD & FULCRUM
D	2	CM710P	1400-B001-13	PIVOT, TIP
E, F, G	2	CM758	0119-B125-51	SHACKLE ASSEMBLY
H	2	CM712P	1400-B001-5	PIVOT, LOAD
I	2	CM703P	1400-B001-9	PIVOT, FULCRUM
J	2	CM701	1412-B001-9	BEARING, FULCRUM
K	1	CM710P	1400-B001-13	PIVOT, TIP
L	1	CM718	0119-B103-2	LOOP, TIP

**ALL PIVOTS ARE .495" W  
x 1.125" H**

*When ordering, measure height & thickness. This may vary. \$2.00 net charge each for grinding to size.*

**\$925.00** Sugg. List / 32 lb Ship Wt.

## Kit No. CM-764-K

Suspension Kit For CM-751-K

REF #	QTY	RL PART #	EQUIV. CARDINAL #	DESCRIPTION
M	8	CM768	0119-C017 (26SR)	LINK
N	4	CM788	0119-C019 (24SR)	SADDLE BLOCK
O	4	CM766	0119-B028	TRUNNION

**\$1,544.00** Sugg. List / 47 lb Ship Wt.

## Kit No. CM-752-K

Pivot & Bearing Kit For Models 2024SR, 2010 APL Axle Load 2034SR, 2524SR, 2-Section, 20-Ton, 24- & 34-Ft. Truck Scale, 2-Section, 25-Ton, 24-Ft. Truck Scale\* SR, SRL, PR & PRL

REF #	QTY	RL PART #	EQUIV. CARDINAL #	DESCRIPTION
A	4	CM708	1412-B001-13	BEARING, FULCRUM
B	4	CM708	1412-B001-13	BEARING, LOAD
C	8	CM713P	1400-B001-25	PIVOT, LEAD & FULCRUM
D	2	CM710P	1400-B001-13	PIVOT, TIP
E, F, G	2	CM759	0119-B125-52	SHACKLE ASSEMBLY
H	2	CM712P	1400-B001-5	PIVOT, LOAD
I	2	CM703P	1400-B001-9	PIVOT, FULCRUM
J	2	CM701	1412-B001-9	BEARING, FULCRUM
K	1	CM710P	1400-B001-13	PIVOT, TIP
L	1	CM718	0119-B103-2	LOOP, TIP

**ALL PIVOTS ARE .495" W  
x 1.125" H**

*When ordering, measure height & thickness. This may vary. \$2.00 net charge each for grinding to size.*

**\$975.00** Sugg. List / 36 lb Ship Wt.

## Kit No. CM-763-K

Suspension Kit For CM-752-K

REF #	QTY	RL PART #	EQUIV. CARDINAL #	DESCRIPTION
M	8	CM739L	0119-C014	LINK
N	4	CM740	0119-B026	SADDLE BLOCK
O	4	CM738	0119-B025, 47SRF	TRUNNION

**\$1,320.00** Sugg. List / 100 lb Ship Wt.

\* Measure load or fulcrum pivot height and width before ordering.

**RICE LAKE**  
WEIGHING SYSTEMS

An ISO 9001 registered company © 2013 Rice Lake Weighing Systems 09/15/13 Prices and specifications subject to change without notice. Visit [ricelake.com](http://ricelake.com) for current prices.

# Truck Scale

## Kit No. CM-753-K

Pivot & Bearing Kit For Models 3024SR, 3034SR, 2-Section, 30-Ton, 24- & 34-Ft. Truck Scale SR, SRL, PR & PRL

REF #	QTY	RL PART #	EQUIV. CARDINAL #	DESCRIPTION
A	4	CM702	1412-B001-3	BEARING, FULCRUM
B	4	CM702	1412-B001-3	BEARING, LOAD
C	8	CM704P	1400-B001-19	PIVOT, LOAD & FULCRUM
D	2	CM703P	1400-B001-9	PIVOT, TIP
E	2	CM720	0119-B127-52	BEARING, LOWER SHACKLE
F	4	CM721	0119-B127-52	BOLT, SHACKLE
G	2	CM719	0119-B127-52	BEARING, UPPER SHACKLE
H	2	CM712P	1400-B001-5	PIVOT, LOAD
I	2	CM703P	1400-B001-9	PIVOT, FULCRUM
J	2	CM701	1412-B001-9	BEARING, FULCRUM
K	1	CM703P	1400-B001-9	PIVOT, TIP
L	1	CM756	0119-B103-1	LOOP, TIP

**ALL PIVOTS ARE 0.495" W  
x 1.125" H**  
When ordering, measure  
height & thickness. This may  
vary. \$2.00 net charge each for  
grinding to size.

**\$1,140.00** Sugg. List / 40 lb Ship Wt.

## Kit No. CM-762-K

Suspension Kit For CM-753-K

REF #	QTY	RL PART #	EQUIV. CARDINAL #	DESCRIPTION
M	8	CM715L	0119-B007 (16SRF)	LINK
N	4	CM716	0119-B018 (14SRF)	SADDLE BLOCK
O	4	CM717	0119-B019 (17SRF)	TRUNNION

**\$1,375.00** Sugg. List / 140 lb Ship Wt.

## Kit No. CM-754-K

Pivot & Bearing Kit For Model 4040SR, 3-Section, 40-Ton, 40-Ft. Truck Scale\* SR, SRL, PR & PRL

REF #	QTY	RL PART #	EQUIV. CARDINAL #	DESCRIPTION
A	6	CM708	1412-B001-13	BEARING, FULCRUM
B	6	CM708	1412-B001-13	BEARING, LOAD
C	12	CM713P	1400-B001-25	PIVOT, LOAD & FULCRUM
D	3	CM710P	1400-B001-13	PIVOT, TIP
E, F, G	3	CM760	0119-B125-53	SHACKLE ASSEMBLY
H	3	CM712P	1400-B001-5	PIVOT, LOAD
I	3	CM703P	1400-B001-9	PIVOT, FULCRUM
J	3	CM701	1412-B001-9	BEARING, FULCRUM
K	1	CM703P	1400-B001-9	PIVOT, TIP
L	1	CM756	0119-B103-1	LOOP, TIP

**ALL PIVOTS ARE 0.495" W  
x 1.125" H**  
When ordering, measure  
height & thickness. This may  
vary. \$2.00 net charge each for  
grinding to size.

**\$1,550.00** Sugg. List / 54 lb Ship Wt.

## Kit No. CM-761-K

Suspension Kit For CM-754-K

REF#	QTY	RL PART #	EQUIV. CARDINAL #	DESCRIPTION
M	12	CM739L	0119-C014	LINK
N	6	CM740	0119-B026	SADDLE BLOCK
O	6	CM738	0119-B025 (47SRF)	TRUNNION

**\$1,980.00** Sugg. List / 133 lb Ship Wt.

\* Measure load or fulcrum pivot height and width before ordering.

# Truck Scale

CARDINAL-MURPHY

## Kit No. CM-755-K

Pivot & Bearing Kit For Model 5045SR, 3535 SR, 3540 SR, 3-Section,  
50-Ton, 45-Ft. Truck Scale\*, SR, SRL, PR & PRL

REF #	QTY	RL PART #	EQUIV. CARDINAL #	DESCRIPTION
A	6	CM702	1412-B001-3	BEARING, FULCRUM
B	6	CM702	1412-B001-3	BEARING, LOAD
C	12	CM704P	1400-B001-19	PIVOT, LOAD & FULCRUM
D	3	CM703P	1400-B001-9	PIVOT, TIP
E	3	CM720	0119-B127-52	BEARING, LOWER SHACKLE
F	6	CM721	0119-B127-52	BOLTS, SHACKLE
G	3	CM719	0119-B127-52	BEARING, UPPER SHACKLE
H	3	CM712P	1400-B001-5	PIVOT, LOAD
I	3	CM703P	1400-B001-9	PIVOT, FULCRUM
J	3	CM701	1412-B001-9	BEARING, FULCRUM
K	1	CM703P	1400-B001-9	PIVOT, TIP
L	1	CM756	0119-B103-1	LOOP, TIP

*ALL PIVOTS ARE .495" WIDE x 1.125" HIGH*  
*When ordering, measure height & thickness. This may vary. \$2.00 net charge each for grinding to size.*

**\$1,800.00** Sugg. List / 60 lb Ship Wt.

## Kit No. CM-760-K

Suspension Kit For CM-755-K

REF #	QTY	RL PART #	EQUIV. CARDINAL #	DESCRIPTION
M	12	CM715L	0119-B007(16SRF)	LINK
N	6	CM716	0119-B018(14SRF)	SADDLE BLOCK
O	6	CM717	0119-B019(17SRF)	TRUNNION

**\$2,200.00** Sugg. List / 200 lb Ship Wt.

\* Measure load or fulcrum pivot height and width before ordering.

# Truck Scale

## Kit No. CM-769-K

Pivot & Bearing Kit, 5-Section, 50- & 60-Ton, Truck Scale With 5" Load Fulcrum

REF #	QTY	RL PART #	EQUIV. CARDINAL #	DESCRIPTION
A	10	CM708	1412-B001-13	BEARING, FULCRUM
B	10	CM708	1412-B001-15	BEARING, LOAD
C	20	CM713P	1400-B001-25	PIVOT, LOAD & FULCRUM
D	5	CM710P	1400-B001-13	PIVOT, TIP
E,F,G	5	CM759	0119-B125-52	SHACKLE ASSEMBLY
H	5	CM712P	1400-B001-5	PIVOT LOAD
I	5	CM703P	1400-B001-9	PIVOT, FULCRUM
J	5	CM701	1412-B001-9	BEARING, FULCRUM
K	1	CM710P	1400-B001-13	PIVOT, TIP
L	1	CM718	0119-B103-2	LOOP, TIP

*ALL PIVOTS ARE .495"  
WIDE x 1.125" HIGH*

*When ordering, measure height & thickness. This may vary. \$2.00 net charge each for grinding to size.*

**\$2,575.00** Sugg. List / 76 lb Ship Wt.

## Kit No. CM-770-K

Suspension Kit For CM-769-K TYPE A

REF #	QTY	RL PART #	EQUIV. CARDINAL #	DESCRIPTION
M	20	CM739L	0119-C014	LINK
N	10	CM740	0119-B026	SADDLE BLOCK
O	10	CM738	0119-B025, 47SRF	TRUNNION

**\$3,120.00** Sugg. List / 243 lb Ship Wt.

## Kit No. CM-771-K

Suspension Kit For CM-769-K TYPE B

REF #	QTY	RL PART #	EQUIV. CARDINAL #	DESCRIPTION
M	20	CM775L	46SRF	LINK
N	10	CM741	44SRF	SADDLE BLOCK
O	10	CM738	0119-B025, 47SRF	TRUNNION

**\$3,120.00** Sugg. List / 234 lb Ship Wt.

*\* Measure load or fulcrum pivot height and width before ordering.*



# Truck Scale

CARDINAL-MURPHY

## Kit No. CM-756-K

Pivot & Bearing Kit For Models SR, SRL, PR & PRL, 5050SR, 5060SR, 5070SR, 6050SR, 6060SR, 6070SR  
4-Section, 50- & 60-Ton, 50-, 60- & 70-Ft. Motor Truck Scale\*

REF #	QTY	RL PART #	EQUIV. CARDINAL #	DESCRIPTION
A	8	CM702	1412-B001-3	BEARING, FULCRUM
B	8	CM702	1412-B001-3	BEARING, LOAD
C	16	CM704P	1400-B001-19	PIVOT, LOAD & FULCRUM
D	4	CM703P	1400-B001-9	PIVOT, TIP
E	4	CM720	0119-B127-53	BEARING, LOWER SHACKLE
F	8	CM721	0119-B127-53	BOLT, SHACKLE
G	4	CM719	0119-B127-53	BEARING, UPPER SHACKLE
H	4	CM712P	1400-B001-5	PIVOT, LOAD
I	4	CM703P	1400-B001-9	PIVOT, FULCRUM
J	4	CM701	1412-B001-9	BEARING, FULCRUM
K	1	CM703P	1400-B001-9	PIVOT, TIP
L	1	CM756	0119-B103-1	LOOP, TIP

*ALL PIVOTS ARE .495" WIDE x 1.125" HIGH*  
When ordering, measure height & thickness. This may vary. \$2.00 net charge each for grinding to size.

**\$2,400.00** Sugg. List / 77 lb Ship Wt.

## Kit No. CM-759-K

Suspension Kit For CM-756-K

REF #	QTY	RL PART #	EQUIV. CARDINAL #	DESCRIPTION
M	16	CM715L	0119-B007(16SRF)	LINK
N	8	CM716	0119-B018(14SRF)	SADDLE BLOCK
O	8	CM717	0119-B019(17SRF)	TRUNNION

**\$2,750.00** Sugg. List / 280 lb Ship Wt.

\* Measure load or fulcrum pivot height and width before ordering.

# Truck Scale

## Kit No. CM-767-K

Pivot & Bearing Kit For Models 5080SR, 6080SR, SR, SRL, PR & PRL  
5-Section, 50- & 60-Ton, 80-Ft. Motor Truck Scale

REF #	QTY	RL PART #	EQUIV. CARDINAL #	DESCRIPTION
A	10	CM702	1412-B001-3	BEARING, FULCRUM
B	10	CM702	1412-B001-3	BEARING, LOAD
C	20	CM704P	1400-B001-19	PIVOT, LOAD & FULCRUM
D	5	CM703P	1400-B001-9	PIVOT, TIP MAIN LEVER
E	5	CM720	0119-B127-53	BEARING, LOWER SHACKLE
F	10	CM721	0119-B127-53	BOLT, SHACKLE
G	5	CM719	0119-B127-53	BEARING, UPPER SHACKLE
H	5	CM712P	1400-B001-5	PIVOT, LOAD
I	5	CM703P	1400-B001-9	PIVOT, FULCRUM
J	5	CM701	1412-B001-9	BEARING, FULCRUM
K	1	CM703P	1400-B001-9	PIVOT, TIP
L	1	CM756	0119-B103-1	LOOP, TIP

*ALL PIVOTS ARE .495" WIDE x 1.125" HIGH*  
*When ordering, measure height & thickness. This may vary. \$2.00 net charge each for grinding to size.*

**\$2,995.00** Sugg. List / 93 lb Ship Wt.

## Kit No. CM-768-K

Suspension Kit For CM-767-K

REF #	QTY	RL PART #	EQUIV. CARDINAL #	DESCRIPTION
M	20	CM715L	0119-B007	LINK
N	10	CM716	0119-B018	SADDLE BLOCK
O	10	CM717	0119-B019	TRUNNION

**\$3,500.00** Sugg. List / 337 lb Ship Wt.

\* Measure load or fulcrum pivot height and width before ordering.

# Truck Scale

CARDINAL-MURPHY

## Kit No. CM-757-K

Pivot & Bearing Kit For Models SR, SRL, PR & PRL, 8050SR, 8060SR, 8070SR, 4-Section, 80-Ton, 50-, 60- & 70- Ft. Motor Truck Scale\*

REF #	QTY	RL PART #	EQUIV. CARDINAL #	DESCRIPTION
A	8	CM747	1412-B001-5	BEARING, FULCRUM
B	8	CM747	1412-B001-5	BEARING, LOAD
C	16	CM748P	1400-B001-21	PIVOT, LOAD & FULCRUM
D	4	CM703P	1400-B001-9	PIVOT, TIP
E	4	CM720	0119-B127-52	BEARING, LOWER SHACKLE
F	8	CM721	0119-B127-52	BOLT, SHACKLE
G	4	CM719	0119-B127-52	BEARING, UPPER
H	4	CM712P	1400-B001-5	PIVOT, LOAD
I	4	CM703P	1400-B001-9	PIVOT, FULCRUM
J	4	CM701	1412-B001-9	BEARING, FULCRUM
K	1	CM703P	1400-B001-9	PIVOT, TIP
L	1	CM756	0119-B103-1	LOOP, TIP

*ALL PIVOTS ARE 0.495" W  
x 1.125" H*

*When ordering, measure height & thickness. This may vary. \$2.00 net charge each for grinding to size.*

**\$2,825.00** Sugg. List / 86 lb Ship Wt.

## Kit No. CM-758-K

Suspension Kit For CM-757-K

REF NO.	QTY	RL PART #	EQUIV. CARDINAL #	DESCRIPTION
M	16	CM784L	0119-C007	LINK
N	8	CM749	0119-B022	SADDLE BLOCK
O	8	CM717	0119-B019(17SRF)	TRUNNION

**\$3,450.00** Sugg. List / 327 lb Ship Wt.

\* Measure load or fulcrum pivot height and width before ordering.

# Dormant Scale

## Kit No. CM-765-K

Pivot & Bearing Kit For Models XD4638L TO XD9672L, XD, XTD & XDL, 6,500 lb Capacity Dormant Scale

QTY	RL PART #	DESCRIPTION
4.....	CM743P .....	PIVOT, MAIN LEVER FULCRUM, 3/8" x 3/4" x 1 7/8"
4.....	CM745P .....	PIVOT, MAIN LEVER LOAD, 3/8" x 3/4" x 2 3/4"
4.....	CM751.....	BEARING, MAIN LEVER FULCRUM, 1 1/4" DIA x 1"
4.....	CM757.....	BEARING, MAIN LEVER LOAD, 15/16" x 1 3/8" x 2 1/2"
2.....	CM744P .....	PIVOT, MAIN LEVER TIP, 3/8" x 3/4" x 1"
2.....	CM752.....	BEARING, MAIN LEVER TIP, 15/16" x 15/16" x 1"
2.....	CM742P .....	PIVOT, TRANSVERSE LEVER FULCRUM, 3/8" x 3/4" x 1 1/4"
2.....	CM750.....	BEARING, TRANSVERSE LEVER FULCRUM, 1" DIA x 9/16"
2.....	CM744P .....	PIVOT, TRANSVERSE LEVER LOAD, 3/8" x 3/4" x 1"
2.....	CM754.....	BEARING, TRANSVERSE LEVER, 7/8" x 7/8" x 11/16"
2.....	CM753.....	BEARING, TRANSVERSE LEVER FULCRUM, 3/4" x 3/4" x 3/4"
1.....	CM746P .....	PIVOT, TRANSVERSE LEVER FULCRUM, .360 SQ. x 3"

**\$1,000.00** Sugg. List / 8 lb Ship Wt.

## Kit No. CM-766-K

Pivot & Bearing Kit, 12,000 lb Capacity Dormant Scale, Models SCD & SCDL

QTY	RL PART #	DESCRIPTION
4.....	CM789P .....	PIVOT, MAIN LEVER FULCRUM, 3/8" x 3/4" x 2 3/8"
4.....	CM745P .....	PIVOT, MAIN LEVER LOAD, 3/8" x 3/4" x 2 3/4"
4.....	CM787.....	BEARING, MAIN LEVER FULCRUM, 2" DIA x 1/38"
4.....	CM757.....	BEARING, MAIN LEVER LOAD, 15/16" x 1 3/8" x 2 1/2"
2.....	CM744P .....	PIVOT, MAIN LEVER TIP, 3/8" x 3/4" x 1"
2.....	CM752.....	BEARING, MAIN LEVER TIP, 15/16" x 15/16" x 1"
2.....	CM742P .....	PIVOT, TRANSVERSE LEVER FULCRUM, 3/8" x 3/4" x 1 1/4"
2.....	CM750.....	BEARING, TRANSVERSE LEVER FULCRUM, 1" DIA x 9/16"
2.....	CM744P .....	PIVOT, TRANSVERSE LEVER LOAD, 3/8" x 3/4" x 1"
2.....	CM754.....	BEARING, TRANSVERSE LEVER FULCRUM, 7/8" x 7/8" x 11/16"
2.....	CM753.....	BEARING, TRANSVERSE LEVER FULCRUM, 3/4" x 3/4" x 3/4"
1.....	CM746P .....	PIVOT, TRANSVERSE LEVER FULCRUM, .360 SQ x 3"

**\$1,100.00** Sugg. List / 11 lb Ship Wt.

\* Measure load or fulcrum pivot height and width before ordering.



# THURMAN

THURMAN

# Thurman Price Index

By Rice Lake Part Number

**RL PART # SUGG. LIST PAGE #**

10772.....	\$12.00 .....	251
10993.....	\$10.00 .....	251
15290.....	\$2.00 .NOT SHOWN	
18815.....	\$9.00 .....	251
18816.....	\$11.00 .....	251
21912.....	\$305.00 .....	253
21922.....	\$22.00 .....	248
22910.....	\$20.00 .....	247
33645.....	\$28.00 .....	251
33646.....	\$28.00 .....	251
33647.....	\$35.00 .....	253
33648.....	\$36.00 .....	251
33649.....	\$29.00 .....	251
33650.....	\$99.00 .....	253
33653.....	\$27.00 .....	253
33654.....	\$27.00 .....	253
33905.....	\$190.00 .....	252
33906.....	168.00 .....	252
33907.....	\$282.00 .....	252
65430.....	\$111.00 .....	253
72192.....	\$148.00 .....	250

**RL PART # SUGG. LIST PAGE #**

75115.....	\$204.00 .....	252
H644 .....	\$28.00 .....	251
H648 .....	\$14.00 .....	251
H697 .....	\$18.00 .....	251
TH901P.....	\$26.00 .....	249
TH902P.....	\$26.00 .....	249
TH903P.....	\$28.00 .....	249
TH904P.....	\$28.00 .....	249
TH905P.....	\$31.00 .....	249
TH907P.....	\$40.00 .....	249
TH908P.....	\$54.00 .....	249
TH909P.....	\$60.00 .....	249
TH910.....	\$64.00 .....	250
TH911.....	\$64.00 .....	250
TH912.....	\$92.00 .....	250
TH913.....	\$92.00 .....	250
TH914.....	\$59.00 .....	250
TH915.....	\$59.00 .....	250
TH916.....	\$74.00 .....	248
TH917.....	\$72.00 .....	248

**RL PART # SUGG. LIST PAGE #**

TH918 .....	\$168.00 .....	252
TH919 .....	\$245.00 .....	252
TH921 .....	\$148.00 .....	250
TH922P.....	\$20.00 .....	247
TH923P.....	\$19.00 .....	247
TH924P.....	\$20.00 .....	247
TH926 .....	\$27.00 .....	248
TH927 .....	\$17.00 .....	251
TH928P.....	\$29.00 .....	247
TH929P.....	\$20.00 .....	248
TH939P.....	\$63.00 .....	247
TH945.....	\$45.00 .....	250
TH946P.....	\$74.00 .....	247
TH947.....	\$204.00 .....	252
TH948.....	\$282.00 .....	252
TH950.....	\$150.00 .....	253
TH952SS.....	\$25.00 .....	254
TH954SS.....	\$31.00 .....	254
TH966.....	\$165.00 .....	253
TH970.....	\$52.00 .....	250

**THURMAN**

## Thurman Cross Reference

By Equivalent Thurman Number

**EQUIV. NEW EQUIV. OLD RL  
THURMAN # THURMAN # PART #**

300181.....	T-181 .....	TH939P
10000140A .....		33654
10000170A .....		TH952SS
10000190A .....		18815
10001450A .....		18816
10001520A .....		TH953SS
10001630A .....		TH954SS
10001640A .....		33653
10002320A .....	T-14-4 .....	TH930P
10002400A .....		33651
SP10002400A.....		33650
10002410A .....		TH957SS
10003020A .....		TH960SS
10003190A .....		TH950
10003200A .....		TH966
10003220A .....		21912
10003970A .....	T-115-2 .....	33907
10004080A .....	T-122-1 .....	TH947
10004080Y .....	T-1626 .....	75115
10004340A .....		TH961SS
10004350.....		TH958SS
10004480A .....		TH964SS
10004770A .....		TH962SS
10004810A .....		TH959SS
10004820A .....		TH949SS

**EQUIV. NEW EQUIV. OLD RL  
THURMAN # THURMAN # PART #**

10005790A .....	T-675 .....	TH945
10005800A .....	T-12-1 .....	TH911
10005820A .....	T-270 .....	TH919
10005830A .....	T-250-1 .....	33646
10005850A .....	T-12 .....	TH910
10005860A .....		33906
10005980A .....	T-1155-2 .....	TH905P
10007420A .....	T-63-1S.....	TH926
10008490A .....	T-1155-4 .....	TH907P
10008500A .....	T-1155-5 .....	TH908P
10008550A .....	T-979 .....	TH912
10008560A .....	T-979-1 .....	TH913
10008590A .....	T-1155 .....	TH903P
10008690Y .....	T-269 .....	TH918
10008710A .....	T-255-1 .....	TH901P
10012030A .....	T-251 .....	33649
10012040A .....	T-1079-4 .....	TH970
10012420A .....	T-125 .....	TH923P
10012700A .....	T-11 .....	TH914
10012770A .....		22910
10012860A .....	T-1155-1 .....	TH902P
10012970A .....	T-47-1 .....	TH942P
10012980A .....	T-11-1 .....	TH915
10013810A .....		TH927
10013950A .....	T-250 .....	33645

**EQUIV. NEW EQUIV. OLD RL  
THURMAN # THURMAN # PART #**

10013960A .....	T-251-1 .....	33648
10014240A .....	T-125-1 .....	TH924P
10014870A .....		21922
10015960A .....	T-96 .....	TH928P
10017370A .....	T-197 .....	TH929P
10018420A .....		65430
10019610A .....	T-14-1 .....	TH935P
10021340A .....		17749
10022410.....	T-1053-10 .....	TH921
10028830A .....		33652
10030540A .....		TH948
N/A.....	T-14-2 .....	TH936P
N/A.....	T-14-3 .....	TH937P
N/A.....	T-47 .....	TH941P
N/A.....	T-47-2 .....	TH922P
N/A.....	T-96-1 .....	TH931P
N/A.....	T-96-2 .....	TH932P
N/A.....	T-181-1 .....	TH946P
N/A.....	T-191 .....	TH917
N/A.....	T-192 .....	TH916
N/A.....	T-197-1 .....	TH933P
N/A.....	T-255 .....	TH904P
N/A.....	T-255-2 .....	TH940P
N/A.....	T-1155-3 .....	TH906P
N/A.....	T-1155-6 .....	TH909P

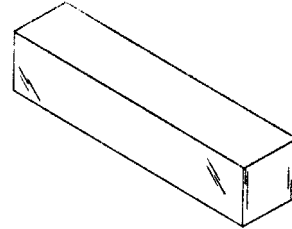
\*Item obsolete or discontinued. When remaining stock is depleted, published prices are withdrawn and the item is subject to a special order quote.

XX Call for Details

# Individual Thurman Scale Parts

## Pivots

RL PART #	DESCRIPTION	THURMAN NEW #	SUGG. LIST
TH923P	EQUIV. THURMAN NO. T-125 EQUIV. NEW THURMAN NO. 10012420A SIZE: 3/8" X 3/8" X 2 3/4" LONG PIVOT	<b>65869</b>	\$19.00
TH924P	EQUIV. THURMAN NO. T-125-1 EQUIV. NEW THURMAN NO. 10014240A SIZE: 3/8" X 3/8" X 3 3/4" LONG PIVOT		\$20.00
TH922P	EQUIV. THURMAN NO. T-47-2 SIZE: 1/2" X 1/2" X 2 1/4" LONG PIVOT		\$20.00
22910	EQUIV. THURMAN NO. 10012770A SIZE: 1/2" X 1/2" X 2 3/4" LONG PIVOT	<b>65879</b>	\$20.00
TH928P	EQUIV. THURMAN NO. T-96 EQUIV. NEW THURMAN NO. 10015960A SIZE: 5/8" X 5/8" X 4" LONG PIVOT	<b>66076</b>	\$29.00
TH939P	EQUIV. THURMAN NO. T-181 EQUIV. NEW THURMAN NO. 300181 SIZE: 1 1/8" X 1 1/8" X 7 3/4" LONG PIVOT	<b>72189</b>	\$63.00
TH946P	EQUIV. THURMAN NO. T-181-1 SIZE: 1 1/8" X 1 1/8" X 9" L PIVOT	<b>66504</b>	\$74.00

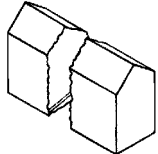
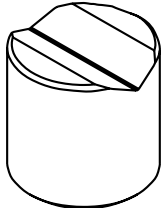
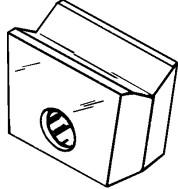
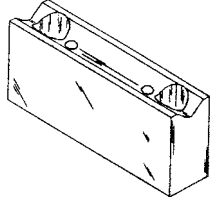
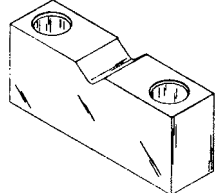


**THURMAN**



# Individual Thurman Scale Parts

## Pivots & Bearings

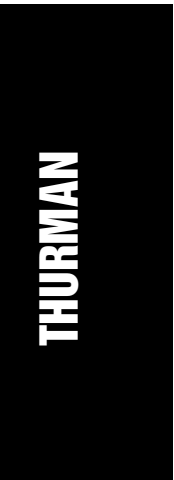
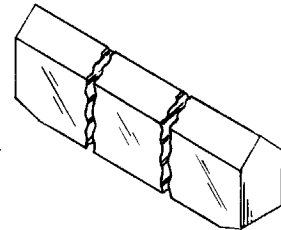
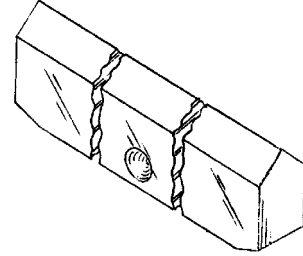
RL PART #	DESCRIPTION	THURMAN NEW #	SUGG. LIST	
TH929P	EQUIV. THURMAN NO. T-197 EQUIV. NEW THURMAN NO. 10017370A SIZE: 3/8" X 7/8" X 1" LONG PIVOT	<b>66295</b>	\$20.00	
21922	EQUIV. THURMAN NO. EQUIV. NEW THURMAN NO. 10014870A SIZE: 1" DIA. x 1" BEARING	<b>65950</b>	\$21.00	
TH926	EQUIV. THURMAN NO. T-63-1S SIZE: 1/2" X 3/4" X 1" LONG BEARING, FITS CASTING NO. T-339		\$27.00	
TH916	EQUIV. THURMAN NO. T-192 EQUIV. NEW THURMAN NO. 10007420A SIZE: 1 1/8" X 2" X 4 3/4" LONG BEARING, TRUCK SCALE		\$74.00	
TH917	EQUIV. THURMAN NO. T-191 SIZE: 1 1/8" X 2" X 4 3/4" LONG BEARING, TRUCK SCALE		\$72.00	

THURMAN

# Individual Thurman Scale Parts

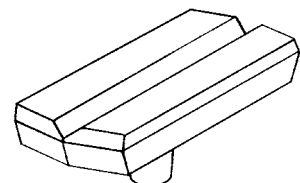
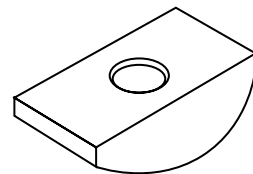
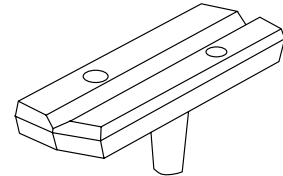
## Pivots

RL PART #	DESCRIPTION	THURMAN NEW #	SUGG. LIST
TH901P	EQUIV. THURMAN NO. T-255-1 EQUIV. NEW THURMAN NO. 10008710A SIZE: 1/2" X 1" X 1 7/8" LONG WITH SPOT DRILL PIVOT	<b>65647</b>	\$26.00
TH904P	EQUIV. THURMAN NO. T-255 SIZE: 1/2" X 1" X 3 3/4" LONG WITH SPOT DRILL PIVOT		\$28.00
TH902P	EQUIV. THURMAN NO. T-1155-1 EQUIV. NEW THURMAN NO. 10012860A SIZE: 1/2" X 1" X 2 1/4" LONG PIVOT	<b>65889</b>	\$26.00
TH903P	EQUIV. THURMAN NO. T-1155 EQUIV. NEW THURMAN NO. 10008590A SIZE: 1/2" X 1" X 3 3/4" LONG PIVOT	<b>65628</b>	\$28.00
TH905P	EQUIV. THURMAN NO. T-1155-2 EQUIV. NEW THURMAN NO. 10005980A SIZE: 1/2" X 1" X 5 11/16" LONG PIVOT	<b>65319</b>	\$31.00
TH907P	EQUIV. THURMAN NO. T-1155-4 EQUIV. NEW THURMAN NO. 10008490A SIZE: 1/2" X 1" X 7 3/4" LONG PIVOT	<b>65610</b>	\$40.00
TH908P	EQUIV. THURMAN NO. T-1155-5 EQUIV. NEW THURMAN NO. 10008500A SIZE: 1/2" X 1" X 11" LONG PIVOT	<b>65613</b>	\$54.00
TH909P	EQUIV. THURMAN NO. T-1155-6 SIZE: 1/2" X 1" X 12 3/16" LONG PIVOT		\$60.00



# Individual Thurman Scale Parts

RL PART #	DESCRIPTION	THURMAN NEW #	SUGG. LIST
TH914	EQUIV. THURMAN NO. T-11 10012700A SIZE: 2 1/8" X 1" X 3 5/8" LONG BEARING, LOAD W/2 DOWEL HOLES AND A TAPERED SHANK USE ROLL PIN NUMBER 15290	<b>65874</b>	\$59.00
TH910	EQUIV. THURMAN NO. T-12 EQUIV. NEW THURMAN NO. 10005850A SIZE: 2" X 1" X 5 5/8" LONG BEARING, LOAD W/2 DOWEL HOLES AND A TAPERED SHANK USE ROLL PIN NO. 15290	<b>65298</b>	\$64.00
TH912	EQUIV. THURMAN NO. T-979 EQUIV. NEW THURMAN NO. 10008550A SIZE: 2" X 1 1/4" X 7 9/16" LONG BEARING, LOAD W/2 DOWEL HOLES AND A TAPERED SHANK USE ROLL PIN NO. 15290	<b>65621</b>	\$92.00
TH921	EQUIV. THURMAN NO. T-1053-10 EQUIV. NEW THURMAN NO. 10022410A SIZE: 1 1/4" X 2" X 10 3/4" LONG BEARING, LOAD W/2 DOWEL HOLES AND A STRAIGHT SHANK USE ROLL PIN NO. 15290	<b>66413A</b>	\$148.00
TH945	EQUIV. THURMAN NO. T-675 EQUIV. NEW THURMAN NO. 10005790A SIZE: 1 1/2" X 1" X 3 1/4" LONG ROCKER USE W/TH911 & TH915	<b>65280</b>	\$45.00
TH970	EQUIV. THURMAN NO. T-1079-4 EQUIV. NEW THURMAN NO. 10012040A SIZE: 1 1/2" X 1 3/4" X 6" ROCKER FOR TH913	<b>65856</b>	\$52.00
TH915	EQUIV. THURMAN NO. T-11-1 EQUIV. NEW THURMAN NO. 10012980A SIZE: 2 1/8" X 1" X 3 5/8" LONG BEARING, FULCRUM W/STRAIGHT SHANK SHANK SIZE: 11/16" DIA	<b>65903</b>	\$59.00
TH911	EQUIV. THURMAN NO. T-12-1 EQUIV. NEW THURMAN NO. 10005800A SIZE: 2" X 1" X 5 5/8" LONG BEARING, FULCRUM W/STRAIGHT SHANK SHANK SIZE: 11/16" DIA	<b>65282</b>	\$64.00
TH913	EQUIV. THURMAN NO. T-979-1 EQUIV. NEW THURMAN NO. 10008560A SIZE: 2" X 1 1/4" X 7 9/16" LONG BEARING, FULCRUM W/STRAIGHT SHANK SHANK SIZE: 11/16" DIA	<b>65624</b>	\$92.00
72192	EQUIV. THURMAN NO. SIZE: 2" X 1" X 10 3/4" NO HOLES, FULCRUM	<b>66401</b>	\$148.00

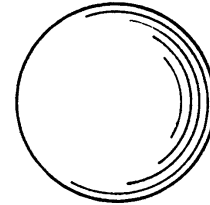


THURMAN

# Individual Thurman Scale Parts

## Miscellaneous Diameter Balls

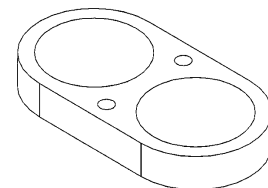
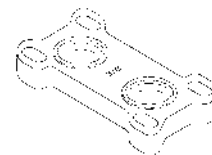
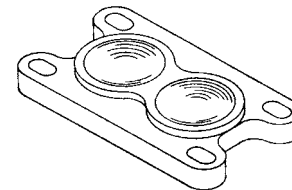
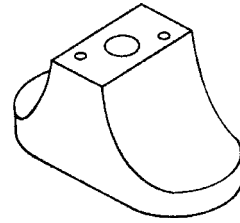
RL PART #	DESCRIPTION	THURMAN NEW #	SUGG. LIST
18815	EQUIV. THURMAN NO. 1000190A SIZE: 5/8" DIA BALL, MODEL 3300	<b>64346</b>	\$9.00
10993	EQUIV. HOWE NO. N/A SIZE: 3/4" DIA BALL (STEEL)		\$10.00
18816	EQUIV. THURMAN NO. 10001450A SIZE: 7/8" DIA BALL, MODEL 3500		\$11.00
10772	EQUIV. HOWE NO. N/A SIZE: 1" DIA BALL (STEEL)		\$12.00
H648	EQUIV. HOWE NO. 42035848 SIZE: 1 5/16" DIA BALL (STEEL) MODELS: 57, TYPE 54, FLOOR SCALES ETC.		\$14.00
TH927	EQUIV. THURMAN NO. EQUIV. NEW THURMAN NO. 10013810A SIZE: 1 7/16" DIA BALL, WAREHOUSE SCALE MODEL 3300, SUSPENSION	<b>65929</b>	\$17.00
H697	EQUIV. HOWE NO. SIZE: 1 1/2" DIA BALL (STEEL)	<b>64684</b>	\$18.00
33645	EQUIV. THURMAN NO. T-250 EQUIV. NEW THURMAN NO. 10013950A SIZE: 2" DIA BALL, TRUCK SCALE	<b>65930</b>	\$28.00
H644	EQUIV. HOWE NO. 42102471 SIZE: 2 3/8" DIA BALL (CAST)		\$28.00
33646	EQUIV. THURMAN NO. T-250-1 EQUIV. NEW THURMAN NO. 10005830A SIZE: 2 1/2" DIA BALL, TRUCK SCALE	<b>65294</b>	\$28.00
33649	EQUIV. THURMAN NO. T-251 EQUIV. NEW THURMAN NO. 10012030A SIZE: 3" DIA BALL, TRUCK SCALE	<b>65855</b>	\$29.00
33648	EQUIV. THURMAN NO. T-251-1 EQUIV. NEW THURMAN NO. 10013960A SIZE: 3 1/2" DIA BALL, TRUCK SCALE	<b>65931</b>	\$36.00



**THURMAN**

# Individual Thurman Scale Parts

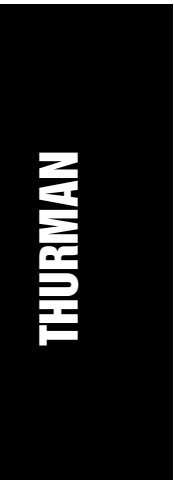
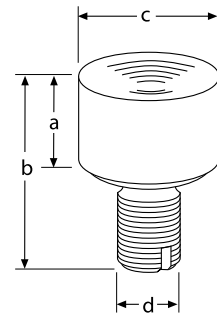
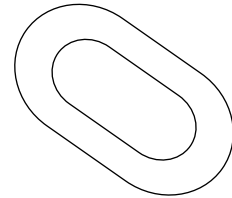
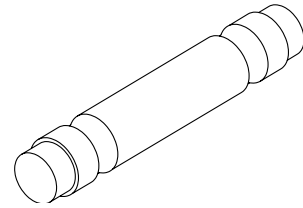
RL PART #	DESCRIPTION	THURMAN NEW #	SUGG. LIST
TH919	EQUIV. THURMAN NO. T-270 EQUIV. NEW THURMAN NO. 10005820A SIZE: 4" X 4" X 8" LONG BALL STAND, TRUCK SCALE	<b>65293</b>	\$240.00
TH948	EQUIV. THURMAN NO. T-115 EQUIV. NEW THURMAN NO. 10030540A SIZE: 5" X 7 3/4" X 11" LONG BALL STAND, 75-TON TRUCK SCALE	<b>72236</b>	\$282.00
33907	EQUIV. THURMAN NO. T115-2 EQUIV. NEW THURMAN NO. 10003970A SIZE: 5" X 6" X 11" LONG BALL STAND, CLASS III & IV	<b>64960</b>	\$282.00
TH918	EQUIV. THURMAN NO. T-269, T1556 EQUIV. NEW THURMAN NO. 10008690Y SIZE: 6 1/4" X 1 1/4" X 11" LONG BALL PLATE, TRUCK SCALE	<b>65643</b>	\$168.00
TH947	EQUIV. THURMAN NO. T-122-1 EQUIV. NEW THURMAN NO. 10004080Y SIZE: 13" X 2 1/4" X 12" LONG BALL PLATE, 75-TON TRUCK SCALE		\$204.00
75115	EQUIV. THURMAN NO. T1626 EQUIV. NEW THURMAN NO. 10004080Y SIZE: 8" X 1 1/2" X 13" LONG BALL PLATE	<b>72236</b>	\$204.00
33906	EQUIV. THURMAN NO. N/A EQUIV. NEW THURMAN NO. 10005860A SIZE: 4 1/4" X 1 1/8" X 8 1/4" LONG BALL PLATE, MODEL 8160 CLASS I & II		\$168.00
33905	EQUIV. THURMAN NO. N/A EQUIV. NEW THURMAN NO. 10048650A SIZE: 5" X 1 1/2" X 11" LONG BALL PLATE, MODEL 8160 CLASS III & IV		\$190.00



**THURMAN**

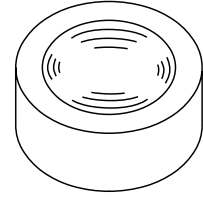
# Individual Thurman Scale Parts

RL PART #	DESCRIPTION	THURMAN NEW #	SUGG. LIST
TH950	EQUIV. THURMAN NO. 10003190A SIZE: 2 3/8" DIA X 14" 50,000 & 60,000 LB TRUNNION, ELECTRONIC TRUCK SCALES	<b>64812</b>	\$150.00
TH966	EQUIV. THURMAN NO. 10003200A SIZE: 2 3/4" DIA X 14" 100,000 LB TRUNNION, ELECTRONIC TRUCK SCALES	<b>64814</b>	\$165.00
65430	EQUIV. THURMAN NO. 10018420A SIZE: 1 1/4" DIA X 7" ID LINK, ELECTRONIC TRUCK SCALES	<b>66347</b>	\$111.00
21912	EQUIV. THURMAN NO. 10003220A SIZE: 1 3/8" DIA X 7 3/4" ID LINK, ELECTRONIC TRUCK SCALES		\$305.00
33654	EQUIV. THURMAN NO. 10000140A SIZE: A. 3/4" C. 1/2" B. 1 1/8" D. 1/2"-20 THRD LOAD CUP MODEL 3500 1,000-5,000 LB, 1500/1502, 3300/3301 1,000-4,000 LB		\$27.00
33653	EQUIV. THURMAN NO. 10001640A SIZE: A. 1 1/8" C. 3/4" B. 1 1/2" D. 3/4"-16 THRD LOAD CUP MODEL 3510/3520 10,000 & 20,000 LB, 1500/1503, 5,000 & 10,000 LB	<b>64554</b>	\$29.00
33650	EQUIV. THURMAN NO. SP 10002400A SIZE: A. 1 3/4" C. 13/16" B. 2 13/16" D. 1"-14 THRD LOAD CUP		\$99.00
33647	EQUIV. THURMAN NO. SIZE: A. 1 3/4" C. 1/2" B. 2 3/4" D. 1/2"-20 THRD LOAD CUP		\$35.00



# Individual Thurman Scale Parts

RL PART #	DESCRIPTION	SUGG. LIST
TH952SS	EQUIV. THURMAN NO. 10000170A SIZE: .783" DIA X 1/2" BEARING SOCKET	\$25.00
TH954SS	EQUIV. THURMAN NO. 10001630A SIZE: 1.127" DIA X 3/4" BEARING SOCKET	\$31.00



THURMAN

# THURMAN KITS

THURMAN



# Thurman Kit Price Index

By Rice Lake Part Number

<b>RL PART #</b>	<b>SUGG. LIST</b>	<b>PAGE #</b>	<b>RL PART #</b>	<b>SUGG. LIST</b>	<b>PAGE #</b>	<b>RL PART #</b>	<b>SUGG. LIST</b>	<b>PAGE #</b>
34323.....	\$2,044.00 .....	258	34330.....	\$4,420.00 .....	260	TH308K.....	\$3,900.00 .....	263
34324.....	\$2,333.00 .....	258	TH301K.....	\$1,560.00 .....	261	TH309K.....	\$4,050.00 .....	263
34325.....	\$2,444.00 .....	258	TH302K.....	\$1,625.00 .....	261	TH310K.....	\$3,880.00 .....	264
34326.....	\$2,444.00 .....	259	TH303K.....	\$1,620.00 .....	261	TH312K.....	\$5,800.00 .....	264
34327.....	\$3,033.00 .....	259	TH304K.....	\$1,950.00 .....	262	TH313K.....	\$4,500.00 .....	264
34328.....	\$3,500.00 .....	259	TH306K.....	\$3,350.00 .....	262	TH314K.....	\$2,300.00 .....	262
34329.....	\$3,900.00 .....	XX	TH307K.....	\$3,240.00 .....	263			

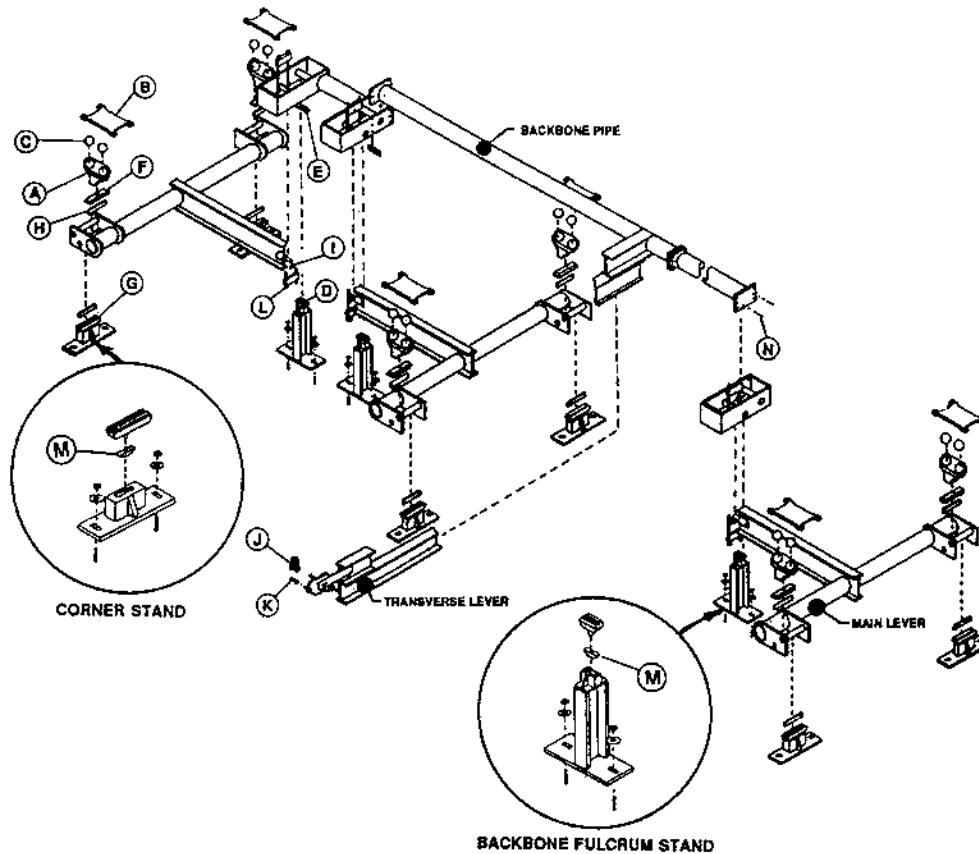
\*Item obsolete or discontinued. When remaining stock is depleted, published prices are withdrawn and the item is subject to a special order quote.

XX Call for Details

**THURMAN**

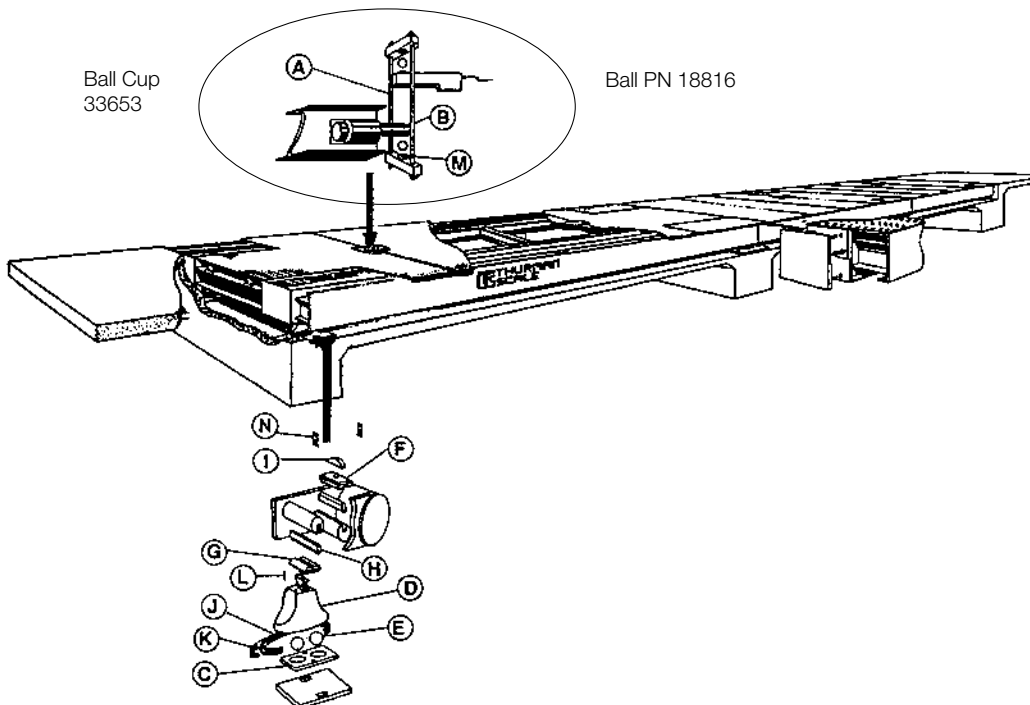
# Mechanical Vehicle Scales

Models 8100 (XTCP), 8110 & 8120, (STCP), 8130 & 8140 (SAM)



**THURMAN**

# Model 8160 Electro-Mechanical



# Truck Scale

## Kit No. 34323 Thurman PN 96955

Pivot & Bearing Kit 2-Section, 1982 and Newer, Class III and IV

Model 8100 XTCP

Models 8110 and 8120 STCP

Models 8130 and 8140 SAM

QTY	RL PART #	EQUIV. THURMAN #	DESCRIPTION
8	TH907P	T-1155-4, 10008490A	PIVOT, LOAD & FULCRUM
4	TH912	T-979, 10008550A	BEARING, LOAD
4	TH913	T-979-1, 10008560A	BEARING & FULCRUM
4	TH903P	T-1155, 10008590A	PIVOT, TORQUE TUBE LOAD & FULCRUM
4	TH970	T-1079-4, 10012040D	ROCKER
2	TH915	T-11-1, 10012980A	BEARING, TORQUE TUBE FULCRUM
2	TH917	T-191	BEARING, TORQUE TUBE LOAD
2	TH916	T-192	BEARING, MAIN LEVER, TIP
2	TH901P	T255-1, 10008710A	PIVOT, MAIN LEVER TIP
1	22910	10012770A	PIVOT, TRANSVERSE LEVER TIP
8	15290	N/A	PIN, SPRING 3/8" x 1 1/2"

**\$2,044.00** Sugg. List / 80 lb Ship Weight

## Kit No. 34324 Thurman PN 96807

Suspension Kit, 2-Section, 1982 and Newer Class III and IV

Model 8100 XTCP

Models 8110 & 8120 STCP

Models 8130 & 8140 SAM

QTY	RL PART #	EQUIV. THURMAN #	DESCRIPTION
8	33649	T251, 10012030A	BALL 3 INCH
4	33907	T-115-2, 10003970A	TEE BLOCK (BALL STAND)
4	75115	T-1626, 10004080Y	BALL PLATE, CHECK HEIGHT OF TEE BLOCK

**\$2,333.00** Sugg. List / 350 lb Ship Weight

## Kit No. 34325 Thurman PN 34325

Pivot & Bearings Kit, 3-Section, 1982 & Newer Class I & II

Model 8100 XTCP

Models 8110 & 8120 STCP

Models 8130 & 8140 SAM

QTY	RL PART #	EQUIV. THURMAN #	DESCRIPTION
12	TH905P	T-1155-2, 10005980A	PIVOT, LOAD & FULCRUM
6	TH910	T-12, 10005850A	BEARING, LOAD
6	TH911	T-12-1, 10005800A	BEARING, FULCRUM
6	TH903P	T1155, 10008590A	PIVOT, TORQUE TUBE LOAD & FULCRUM
6	TH945	T675, 10005790A	ROCKER
3	TH915	T11-1, 10012980A	BEARING, TORQUE TUBE FULCRUM
3	TH917	T191	BEARING, TORQUE TUBE LOAD
3	TH916	T192	BEARING, MAIN LEVER TIP
3	TH901P	T255-1, 1008710A	PIVOT, MAIN LEVER TIP
1	22910	10012770A	PIVOT, TORQUE TUBE TIP
12	15290	N/A	PIN, SPRING 3/8" x 1 1/2"

**\$2,444.00** Sugg. List / 90 lb Ship Weight

THURMAN

# Truck Scale

## Kit No. 34326 Thurman PN 65811

Suspension Kit, 1982 and Newer, 3-Sections, Class I and II

Model 8100 XTCP

Models 8110 and 8120 STCP

Models 8130 and 8140 SAM

QTY	RL PART #	EQUIV. THURMAN #	DESCRIPTION
12.....	33646 .....	T-250-1, 10005830A.....	BALLS, 2 1/2 INCH
6.....	TH918.....	T-269, 10008690A.....	BALL PLATE
6.....	TH919.....	T-270, 10005820A.....	TEE BLOCK (BALL STAND)

**\$2,444.00** Sugg. List / 156 lb Ship Weight

## Kit No. 34327 Thurman PN 96956

Pivot & Bearing Kit, 3-Sections, 1982 and Newer Class III and IV

Model 8100 XTCD

Models 8110 & 8120 STCP

Models 8130 & 8140 SAM

QTY	RL PART #	EQUIV. THURMAN #	DESCRIPTION
12.....	TH907P .....	T115, 10008490A.....	PIVOT, LOAD & FULCRUM
6.....	TH912.....	T979, 10008550A.....	BEARING, LOAD
6.....	TH913.....	T-979-1, 10008560A.....	BEARING, FULCRUM
6.....	TH903P .....	TH1155, 10008590A ..	PIVOT, TORQUE TUBE LOAD & FULCRUM
6.....	TH970.....	T1079-4, 10012040A ..	ROCKER
3.....	TH915.....	T11-1, 100012980A ...	BEARING, TORQUE TUBE FULCRUM
3.....	TH917.....	T191 .....	BEARING, TORQUE TUBE LOAD
3.....	TH916.....	T192 .....	BEARING, MAIN LEVER TIP
3.....	TH901P .....	T255-1, 10008710A ...	PIVOT, MAIN LEVER TIP
1.....	22910 .....	10012770A.....	PIVOT, TORQUE TUBE TIP
12.....	15290 .....	N/A.....	PIN, SPRING 3/8" x 1 1/2"

**\$3,033.00** Sugg. List / 105 lb Ship Weight

## Kit No. 34328 Thurman PN 96809

Suspension Kit, 3-Sections, 1982 & Newer Class III & IV

Model 8100 XTCD

Models 8110 & 8120 STCP

Models 8130 & 8140 SAM

QTY	RL PART #	EQUIV. THURMAN #	DESCRIPTION
12.....	33649 .....	T251, 10012030A.....	BALLS, 3 INCH
6.....	33907 .....	T-115-2, 10003970A...	TEE BLOCK (BALL STAND)
6.....	75115 .....	T1626, 10004080A.....	BALL PLATE, CHECK HEIGHT OF TEE BLOCK

**\$3,500.00** Sugg. List / 527 lb Ship Weight

THURMAN

# Truck Scale

## Kit No. 34329 Thurman PN 96957

Pivot & Bearings Kit, 4-Sections, 1982 and Newer, Class III and IV

Model 8100 XTCD

Models 8110 and 8120 STCP

Models 8130 and 8140 SAM

QTY	RL PART #	EQUIV. THURMAN #	DESCRIPTION
16.....	TH907P .....	T-1155-4, 10008490A.....	PIVOT, LOAD & FULCRUM
8.....	TH912.....	T-979, 10008550A.....	BEARING, LOAD
8.....	TH913.....	T-979-1, 10008560A...	BEARING, FULCRUM
8.....	TH903P .....	T1155, 10008590A.....	PIVOT, TORQUE TUBE LOAD & FULCRUM
8.....	TH970.....	T1079-4, 100112040A.....	ROCKER
4.....	TH915.....	T11-1, 10012980A .....	BEARING, TORQUE TUBE FULCRUM
4.....	TH917.....	T191 .....	BEARING, TORQUE TUBE LOAD
4.....	TH916.....	T192 .....	BEARING, MAIN LEVER TIP
4.....	TH901P .....	T255-1, 10008710A ...	PIVOT, MAIN LEVER TIP
1.....	22910 .....	10012770A.....	PIVOT, TORQUE TUBE TIP
16.....	15290 .....	N/A.....	PIN, SPRING 3/8" x 1 1/2"

**\$3,900.00** Sugg. List / 120 lb Ship Weight

## Kit No. 34330 Thurman PN 96808

Suspension Kit, 4-Sections, 1982 and Newer Class III and IV

Model 8100 XTCD

Models 8110 & 8120 STCP

Models 8130 & 8140 SAM

QTY	RL PART #	EQUIV. THURMAN #	DESCRIPTION
16.....	33649 .....	T251, 10012030A.....	BALLS, 3 INCH
8.....	33907 .....	T-115-2, 10003970A...	TEE BLOCK (BALL STAND)
8.....	75115 .....	T1626, 10004080A.....	BALL PLATE, CHECK HEIGHT OF TEE BLOCK

**\$4,420.00** Sugg. List / 700 lb Ship Weight

THURMAN

# Truck Scale

## Kit No. TH301K

Pivot & Bearing Kit (Does Not Fit Side Arm), 2-Section, 27-Ton Light Duty

QTY	RL PART #	EQUIV. THURMAN #	DESCRIPTION
4	TH914	T-11	BEARING, LOAD
4	TH945	T675, 10005790A	ROCKER
6	TH915	T-11-1	BEARING, FULCRUM
12	TH904P	T-255	PIVOT, LOAD & FULCRUM
2	TH916	T-192	BEARING, MAIN LEVER TIP
2	TH917	T-191	BEARING, TORQUE TUBE LOAD
2	TH901P	T-255-1	PIVOT, TIP
1	TH922P	T-47-2	PIVOT, TRANSVERSE TIP
16	15290	N/A	ROLL PIN

**\$1,560.00** Sugg. List / 45 lb Ship Wt.

## Kit No. TH302K Thurman PN 72805

Pivot & Bearing Kit (Does Not Fit Side Arm), 2-Section, 27- & 37-Ton Heavy Duty Truck Scale

QTY	RL PART #	EQUIV. THURMAN #	DESCRIPTION
4	TH910	T-12	BEARING, LOAD
4	TH911	T-12-1	BEARING, FULCRUM
4	TH945	T675, 10005790A	ROCKER
8	TH905P	T-1155-2	PIVOT, LOAD & FULCRUM
2	TH916	T-192	BEARING, MAIN LEVER TIP
2	TH917	T-191	BEARING, TORQUE TUBE LOAD
2	TH915	T-11-1	BEARING, TORQUE TUBE FULCRUM
2	TH901P	T-255-1	PIVOT, TIP
2	TH902P	T-1155-1	PIVOT, TORQUE TUBE LOAD
2	TH904P	T-255	PIVOT, TORQUE TUBE FULCRUM
1	TH922P	T-47-2	PIVOT, TRANSVERSE TIP
8	15290	N/A	ROLL PIN

**\$1,625.00** Sugg. List / 53 lb Ship Wt.

## Kit No. TH303K Thurman PN 65810

Suspension Kit, 2-Section, 27- & 37-Ton Light & Heavy Duty Truck Scales

QTY	RL PART #	EQUIV. THURMAN #	DESCRIPTION
8	33646	T-250-1	BALL
4	TH918	T-269	BALL PLATE
4	TH919	T-270	TEE BLOCK (BALL STAND)

**\$1,620.00** Sugg. List / 156 lb Ship Wt.

THURMAN

# Truck Scale

## Kit No. TH304K

Pivot & Bearing Kit, 2-Section, 52-Ton Truck Scale

QTY	RL PART #	EQUIV. THURMAN #	DESCRIPTION
4	TH913	T-979-1	BEARING, FULCRUM
4	TH912	T-979	BEARING, LOAD
4	TH970	T1079-4, 10012040A	ROCKER
8	TH907P	T-1155-4	PIVOT, LOAD & FULCRUM
2	TH911	T-12-1	BEARING, TORQUE TUBE FULCRUM
2	TH916	T-192	BEARING, MAIN LEVER TIP
2	TH917	T-191	BEARING, TORQUE TUBE LOAD
2	TH905P	T-1155-2	PIVOT, TORQUE TUBE FULCRUM
2	TH903P	T-1155	PIVOT, TORQUE TUBE LOAD
2	TH901P	T-255-1	PIVOT, MAIN LEVER TIP
1	TH922P	T-47-2	PIVOT, TRANSVERSE TIP
8	15290	N/A	ROLL PIN

**\$1,950.00** Sugg. List / 72 lb Ship Wt.

## Kit No. TH314K

Suspension Kit For TH304K

QTY	RL PART #	EQUIV. THURMAN #	DESCRIPTION
8	33649	T-251	BALL
4	75115	T-1626	BALL PLATE, CHECK HEIGHT OF TEE BLOCK
4	TH948	T-115	TEE BLOCK (BALL STAND)

**\$2,300.00** Sugg. List / 390 lb Ship Wt.

## Kit No. TH306K

Pivot & Bearing Kit, 4-Section, 52- & 62-Ton Truck Scale, Class I and II

Model 8100 XTCD

Models 8110 & 8120 STCP

Models 8130 & 8140 SAM

QTY	RL PART #	EQUIV. THURMAN #	DESCRIPTION
8	TH910	T-12	BEARING, LOAD
8	TH911	T-12-1	BEARING, FULCRUM
8	TH945	T675, 10005790A	ROCKER
16	TH905P	T-1155-2	PIVOT, LOAD & FULCRUM
4	TH916	T-192	BEARING, LOWER TIP
4	TH917	T-191	BEARING, TORQUE TUBE LOAD
4	TH901P	T-255-1	PIVOT, TIP
4	TH902P	T-1155-1	PIVOT, TORQUE TUBE LOAD
4	TH915	T-11-1	BEARING, TORQUE TUBE FULCRUM
4	TH904P	T-255	PIVOT, TORQUE TUBE FULCRUM
1	TH922P	T-47-2	PIVOT, TRANSVERSE TIP
16	15290	N/A	ROLL PIN

**\$3,350.00** Sugg. List / 100 lb Ship Wt.

THURMAN

# Truck Scale

## Kit No. TH307K Thurman PN 65812

Suspension Kit For TH306K

QTY	RL PART #	EQUIV. THURMAN #	DESCRIPTION
16.....	33646 .....	T-250-1 .....	BALL
8.....	TH918.....	T-269 .....	BALL PLATE
8.....	TH919.....	T-270 .....	TEE BLOCK (BALL STAND)

**\$3,240.00** Sugg. List / 312 lb Ship Wt.

## Kit No. TH308K

Pivot & Bearing Kit, 5-Section, 52- & 62-Ton Truck Scale

QTY	RL PART #	EQUIV. THURMAN #	DESCRIPTION
10.....	TH910.....	T-12 .....	BEARING, LOAD
10.....	TH911.....	T-12-1 .....	BEARING, FULCRUM
10.....	TH945.....	T-675, 10005790A.....	ROCKER
20.....	TH905P .....	T-1155-2.....	PIVOT, LOAD & FULCRUM
5.....	TH916.....	T-192 .....	BEARING, LOWER TIP
5.....	TH917.....	T-191 .....	BEARING, TORQUE TUBE LOAD
5.....	TH901P .....	T-255-1.....	PIVOT, TIP
5.....	TH915.....	T-11-1 .....	BEARING, TORQUE TUBE FULCRUM
5.....	TH902P .....	T-1155-1.....	PIVOT, TORQUE TUBE LOAD & FULCRUM
1.....	TH922P .....	T-47-2.....	PIVOT, TRANSVERSE TIP
5.....	TH904P .....	T-255 .....	PIVOT, TORQUE TUBE FULCRUM
20.....	15290 .....	N/A.....	ROLL PIN

**\$3,900.00** Sugg. List / 125 lb Ship Wt.

## Kit No. TH309K

Suspension Kit For TH308K

QTY	RL PART #	EQUIV. THURMAN #	DESCRIPTION
20.....	33646 .....	T-250-1 .....	BALL
10.....	TH918.....	T-269 .....	BALL PLATE
10.....	TH919.....	T-270 .....	TEE BLOCK (BALL STAND)

**\$4,050.00** Sugg. List / 390 lb Ship Wt.

THURMAN



# Truck Scale

## Kit No. TH310K

Pivot & Bearing Kit, 4-Section, 75-Ton Truck Scale

QTY	RL PART #	EQUIV. THURMAN #	DESCRIPTION
8.....	TH912.....	T-979.....	BEARING, LOAD
8.....	TH913.....	T-979-1.....	BEARING, FULCRUM
8.....	TH970.....	T1079-4, 10012040A	ROCKER
16.....	TH907P.....	T-1155-4.....	PIVOT, LOAD & FULCRUM
4.....	TH916.....	T-192.....	BEARING, MAIN LEVER TIP
4.....	TH911.....	T-12-1.....	BEARING, TORQUE TUBE
4.....	TH905P.....	T-1155-2.....	PIVOT, TORQUE TUBE FULCRUM
4.....	TH903P.....	T-1155.....	PIVOT, TORQUE TUBE LOAD
4.....	TH901P.....	T-255-1.....	PIVOT, MAIN LEVER TIP
4.....	TH917.....	T-191.....	BEARING, TORQUE TUBE
1.....	TH922P.....	T-47-2.....	PIVOT, TRANSVERSE TIP
16.....	15290.....	N/A.....	ROLL PIN

**\$3,800.00** Sugg. List / 143 lb Ship Wt.

## Kit No. TH313K

Suspension Kit For TH310K

QTY	RL PART #	EQUIV. THURMAN #	DESCRIPTION
8.....	33649.....	T-122-1.....	BALL PLATE
8.....	TH948.....	T-115.....	TEE BLOCK
16.....	TH938.....	T-251.....	BALL

**\$4,500.00** Sugg. List / 777 lb Ship Wt.

## Kit No. TH312K

Straight Lever, 4-Section, 50- & 75-Ton Truck Scale

QTY	RL PART #	EQUIV. THURMAN #	DESCRIPTION
40.....	TH914.....	T-11.....	BEARING, LOAD & FULCRUM
32.....	TH904P.....	T-255.....	PIVOT, LOAD & FULCRUM
14.....	TH901P.....	T-255-1.....	PIVOT, TIP
14.....	TH916.....	T-192.....	BEARING, TIP
12.....	TH917.....	T-191.....	BEARING, TORQUE TUBE
8.....	TH903P.....	T-1155.....	PIVOT, EXTENSION LEVER
12.....	TH902P.....	T-1155-1.....	PIVOT
1.....	TH922P.....	T-47-2.....	PIVOT, TIP

**\$5,800.00** Sugg. List / 172 lb Ship Wt.

**Call 715-234-9171 For Suspension Parts**

THURMAN

# HARDY

HARDY

# Hardy Price Index

By Rice Lake Part Number

<u>RL PART #</u>	<u>SUGG. LIST</u>	<u>PAGE #</u>	<u>RL PART #</u>	<u>SUGG. LIST</u>	<u>PAGE #</u>	<u>RL PART #</u>	<u>SUGG. LIST</u>	<u>PAGE #</u>
13720.....	\$2.25/FT .....	275	0525-0075 .....	\$36.00 .....	272	0525-0199 .....	\$37.00 .....	268
13721.....	\$2.30/FT .....	275	0525-0077 .....	\$37.00 .....	272	0525-0200 .....	\$10.00 .....	274
0525-0035 .....	\$160.00 .....	275	0525-0133 .....	\$65.00 .....	270	0525-0203 .....	\$40.00 .....	268
*0525-0037 .....	\$160.00 .....	275	0525-0134 .....	\$83.00 .....	270	0525-0204 .....	\$12.00 .....	274
0525-0045 .....	\$170.00 .....	275	0525-0143 .....	\$49.00 .....	269	0525-0207 .....	\$41.00 .....	268
0525-0047 .....	\$170.00 .....	275	0525-0144 .....	\$53.00 .....	269	0525-0208 .....	\$13.00 .....	274
0525-0049 .....	\$175.00 .....	275	0525-0146 .....	\$50.00 .....	269	0525-0215 .....	\$72.00 .....	273
0525-0051 .....	\$175.00 .....	275	0525-0147 .....	\$54.00 .....	269	0525-0216 .....	\$76.00 .....	273
0525-0053 .....	\$190.00 .....	275	0525-0148 .....	\$49.00 .....	269	0525-0223 .....	\$80.00 .....	273
0525-0055 .....	\$190.00 .....	275	0525-0149 .....	\$52.00 .....	270	0525-0224 .....	\$80.00 .....	273
0525-0056 .....	\$41.00 .....	272	0525-0152 .....	\$154.00 .....	274	0525-0225 .....	\$89.00 .....	273
0525-0057 .....	\$10.00 .....	274	0525-0153 .....	\$165.00 .....	274	0525-0226 .....	\$89.00 .....	273
0525-0059 .....	\$28.00 .....	271	0525-0154 .....	\$170.00 .....	274	0525-0227 .....	\$108.00 .....	273
0525-0060 .....	\$26.00 .....	272	0525-0155 .....	\$186.00 .....	274	0525-0228 .....	\$108.00 .....	273
0525-0061 .....	\$16.00 .....	271	0525-0156 .....	\$237.00 .....	274	0525-0507 .....	\$26.00 .....	271
0525-0063 .....	\$17.00 .....	271	0525-0194 .....	\$39.00 .....	268	0525-0508 .....	\$27.00 .....	271
0525-0064 .....	\$18.00 .....	271	0525-0195 .....	\$57.00 .....	268	0525-0509 .....	\$28.00 .....	271
0525-0070 .....	\$42.00 .....	272	0525-0196 .....	\$37.00 .....	268			
0525-0074 .....	\$32.00 .....	272						

\*Item obsolete or discontinued. When remaining stock is depleted, published prices are withdrawn and the item is subject to a special order quote.

XX Call for Details

**HARDY**

# Hardy Cross Reference

By Equivalent Hardy Number

<b>EQUIV. HARDY #</b>	<b>RL PART #</b>	<b>PAGE #</b>	<b>EQUIV. HARDY #</b>	<b>RL PART #</b>	<b>PAGE #</b>	<b>EQUIV. HARDY #</b>	<b>RL PART #</b>	<b>PAGE #</b>
2K201 .....	0525-0060 .....	272	7K303 (OLD) .....	0525-0508 .....	271	10KX2000 .....	0525-0151 .....	XX
2K308 .....	0525-0041 .....	XX	7K308 .....	0525-0053 .....	275	12K201 .....	0525-0070 .....	272
2K309 .....	0525-0043 .....	XX	7K309 .....	0525-0055 .....	275	12K303 .....	0525-0059 .....	271
2K1203 .....	0525-0196 .....	268	7K1203 .....	0525-0203 .....	268	12K309 .....	0525-0266 .....	XX
2KX111 .....	0525-0225 .....	273	7K1205 .....	0525-0204 .....	274	12K1203 .....	0525-0221 .....	XX
3K303 .....	0525-0061 .....	271	7K2001 .....	0525-0148 .....	269	13K711 .....	0525-0033 .....	XX
3K303 (OLD) .....	0525-0507 .....	271	7K2002 .....	0525-0149 .....	270	13K1303 .....	0525-0194 .....	268
3K308 .....	0525-0045 .....	275	7KX111 .....	0525-0227 .....	273	13K1314 .....	0525-0195 .....	268
3K309 .....	0525-0047 .....	275	7KX2000 .....	0525-0155 .....	274	13K1408 .....	0525-0012 .....	XX
3K2001 .....	0525-0143 .....	269	8K201 .....	0525-0077 .....	272	13K1409 .....	0525-0013 .....	XX
3K2002 .....	0525-0144 .....	269	8K303 .....	0525-0064 .....	271	13K1410 .....	0525-0014 .....	XX
3KX2000 .....	0525-0152 .....	274	8K303 (OLD) .....	0525-0509 .....	271	13KX109 .....	0525-0223 .....	273
4K201 .....	0525-0074 .....	272	8K1203 .....	0525-0207 .....	268	13KX110 .....	0525-0224 .....	273
4K308 .....	0525-0049 .....	275	8K1205 .....	0525-0208 .....	274	16K201 .....	0525-0174 .....	XX
4K309 .....	0525-0051 .....	275	8KX111 .....	0525-0228 .....	273	D2542-9-B .....	0525-0181 .....	XX
4K1203 .....	0525-0199 .....	268	8KX2000 .....	0525-0156 .....	274	KX123 .....	0525-0215 .....	273
4K1205 .....	0525-0200 .....	274	10K201 .....	0525-0056 .....	272	KX124 .....	0525-0216 .....	273
4KX111 .....	0525-0226 .....	273	10K308 .....	0525-0035 .....	275	KX142 .....	0525-0217 .....	XX
4KX2000 .....	0525-0153 .....	274	10K309 .....	0525-0037 .....	275			
5K2001 .....	0525-0146 .....	269	10K311 .....	0525-0057 .....	274			
5K2002 .....	0525-0147 .....	269	10K1203 .....	0525-0190 .....	XX			
5KX2000 .....	0525-0154 .....	274	10K2001 .....	0525-0133 .....	270			
7K201 .....	0525-0075 .....	272	10K2002 .....	0525-0134 .....	270			

\*Item obsolete or discontinued. When remaining stock is depleted, published prices are withdrawn and the item is subject to a special order quote.

XX Call for Details

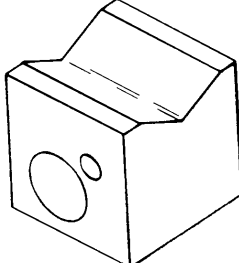
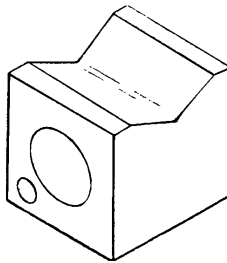
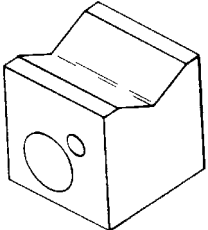
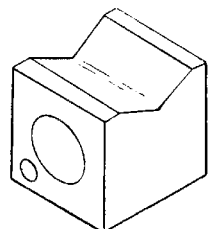

## Hardy Scale Models & Gross Capacities

<b>MODEL</b>	<b>GROSS CAPACITY</b>
HS-1	0-625 LB
HS-2	626-1,250 LB
HS-3	1,251-2,500 LB
HS-4	2,501-6,250 LB
HS-5	6,251-7,500 LB
HS-6	7,501-11,250 LB
HS-7	11,251-25,000 LB
HS-8	12,501-25,000 LB
HS-9	25,001-30,000 LB
HS-10	30,001-37,500 LB
HS-11	37,501-50,000 LB
HS-12	50,001-62,500 LB

**HARDY**

# Individual Hardy Scale Parts

## Bearings

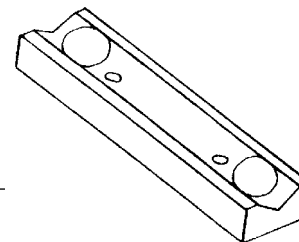
RL PART #	DESCRIPTION	SUGG. LIST	
0525-0194	EQUIV. HARDY NO. 13K1303 SIZE: 15/16" x 15/16" x 1 1/32" HOLE SIZE: .453 or 29/64" DIA SPACER: 0525-0200 FITS SHACKLE NO. 0525-0223, 0525-0224 EXTENSION LEVER: ALL MODELS (1/2" BAR) TYPE A BEARING	\$39.00	
0525-0195	EQUIV. HARDY NO. 13K1314 SIZE: 1 1/4" x 1 1/4" x 1 7/16" HOLE SIZE: .578 or 37/64" DIA SPACER: 0525-0204 FITS SHACKLE NO. 0525-0217 EXTENSION LEVER: H.D. (3/4" BAR) TYPE B BEARING	\$57.00	TYPE B 
0525-0196	EQUIV. HARDY NO. 2K1203 SIZE: 15/16" x 15/16" x 31/32" HOLE SIZE: .453 or 29/64" DIA SPACER: 0525-0200 FITS SHACKLE NO. 0525-0225 MODELS: HS-1, HS-2 TYPE A BEARING	\$37.00	TYPE C 
0525-0199	EQUIV. HARDY NO. 4K1203 SIZE: 15/16" x 15/16" x 29/32" HOLE SIZE: .453" or 29/64" DIA SPACER: 0525-0200 FITS SHACKLE NO. 0525-0215 MODELS: HS-3, HS-4 TYPE A BEARING	\$37.00	TYPE A 
0525-0203	EQUIV. HARDY NO. 7K1203 SIZE: 1 1/4" x 1 1/4" x 1 3/16" HOLE SIZE: .578" or 37/64" DIA SPACER: 0525-0204 FITS SHACKLE NO. 0525-0227 MODELS: HS-5, HS-6, HS-7 TYPE B BEARING	\$40.00	
0525-0207	EQUIV. HARDY NO. 8K1203 SIZE: 1 1/4" x 1 1/2" x 1 3/8" HOLE SIZE: .719" or 23/32" DIA SPACER: 0525-0208 FITS SHACKLE NO. 0525-0228 MODEL: HS-8 TYPE B BEARING	\$41.00	TYPE B

HARDY

# Individual Hardy Scale Parts

## Bearings

RL PART #	DESCRIPTION	SUGG. LIST
0525-0143	EQUIV. HARDY NO. 3K2001 SIZE: 1 1/4" x 5/8" X 2 3/16" HOLE SIZE: 3/8" DIA x 1 9/16" CENTER to CENTER FITS SHACKLE NO. 0525-0152 MODELS: HS-1, HS-2, HS-3 UPPER BEARING	\$49.00
0525-0144	EQUIV. HARDY NO. 3K2002 SIZE: 1 1/4" x 5/8" x 3 5/8" HOLE SIZE: 3/8" DIA x 3" CENTER to CENTER FITS SHACKLE NO. 0525-0152 MODELS: HS-1, HS-2, HS-3 LOWER BEARING	\$53.00
0525-0146	EQUIV. HARDY NO. 5K2001 SIZE: 1 1/4" x 3/4" x 2 5/8" HOLE SIZE: 1/2" DIA x 1 3/4" CENTER to CENTER FITS SHACKLE NO. 0525-0153, 0525-0154 MODELS: HS-4, HS-5 UPPER BEARING	\$50.00
0525-0147	EQUIV. HARDY NO. 5K2002 SIZE: 1 1/4" x 3/4" x 4 1/2" HOLE SIZE: 1/2" DIA x 3 5/8" CENTER to CENTER FITS SHACKLE NO. 0525-0153, 0525-0154 MODELS: HS-4, HS-5 LOWER BEARING	\$54.00
0525-0148	EQUIV. HARDY NO. 7K2001 SIZE: 1 1/4" x 3/4" x 3 9/16" HOLE SIZE: 5/8" DIA x 2 7/16" CENTER to CENTER FITS SHACKLE NO. 0525-0155 MODELS HS-6, HS-7	\$49.00

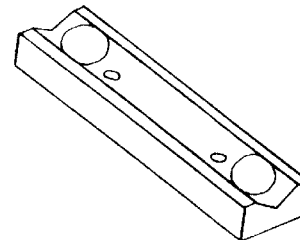


**HARDY**

# Individual Hardy Scale Parts

## Bearings

RL PART #	DESCRIPTION	SUGG. LIST
0525-0149	EQUIV. HARDY NO. 7K2002 SIZE: 1 1/4" x 3/4" x 5 3/4" HOLE SIZE: 5/8" DIA x 4 5/8" CENTER to CENTER FITS SHACKLE NO. 0525-0155 MODELS: HS-6, HS-7 LOWER BEARING	\$52.00
0525-0133	EQUIV. HARDY NO. 10K2001 SIZE: 1 1/4" x 1" x 3 7/8" HOLE SIZE: 11/16" DIA x 2 5/8" CENTER to CENTER FITS SHACKLE NO. 0525-0156, 0525-0151 MODELS: HS-8, HS-9, HS-10 UPPER BEARING	\$65.00
0525-0134	EQUIV. HARDY NO. 10K2002 SIZE: 1 1/4" x 1" x 6 3/8" HOLE SIZE: 11/16" DIA x 5 1/8" CENTER to CENTER FITS SHACKLE NO: 0525-0156, 0525-0151 MODELS: HS-8, HS-9, HS-10 LOWER BEARING	\$83.00

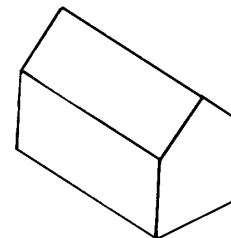
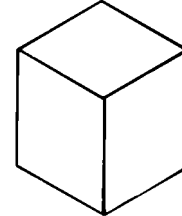


**HARDY**

# Individual Hardy Scale Parts

## Pivots

RL PART #	DESCRIPTION	SUGG. LIST
0525-0061	EQUIV. HARDY NO. 3K303 SIZE: 1/2" x 1/2" x 1/2" FITS SPLICE NOSE IRON: 0525-0041, 0525-0043, 0525-0045, 0525-0047 MODELS: HS-1, HS-2, HS-3 PIVOT	\$16.00
0525-0063	EQUIV. HARDY NO. 7K303 SIZE: 1/2" x 1/2" x 5/8" FITS SPLICE NOSE IRON: 0525-0049, 0525-0051, 0525-0053, 0525-0055 MODELS: HS-4, HS-5, HS-6, HS-7 PIVOT	\$17.00
0525-0064	EQUIV. HARDY NO. 8K303 SIZE: 1/2" x 1/2" x 3/4" FITS SPLICE NOSE IRON: 0525-0035, 0525-0037 MODELS: HS-8, HS-9, HS-10 PIVOT	\$18.00
0525-0059	EQUIV. HARDY NO. 12K303 SIZE: 1/2" x 3/4" x 1" FITS SPLICE NOSE IRON: 0525-0265, 0525-0266 MODELS: HS-11, HS-12 PIVOT	\$28.00
0525-0507	EQUIV. HARDY NO. 3K303 - OLD STYLE SIZE: 1/2" x 3/4" x 1/2" FITS SPLICE NOSE IRON: 0525-0041, 0525-0043, 0525-0045, 0525-0047 MODELS: HS-1, HS-2, HS-3 PIVOT	\$26.00
0525-0508	EQUIV. HARDY NO. 7K303 - OLD STYLE SIZE: 1/2" x 3/4" x 5/8" FITS SPLICE NOSE IRON: 0525-0049, 0525-0051, 0525-0053, 0525-0055 MODELS: HS-4, HS-5, HS-6, HS-7 PIVOT	\$27.00
0525-0509	EQUIV. HARDY NO. 8K303 - OLD STYLE SIZE: 1/2" x 3/4" x 3/4" FITS SPLICE NOSE IRON: 0525-0035, 0525-0037 MODELS: HS-8, HS-9 PIVOT	\$28.00



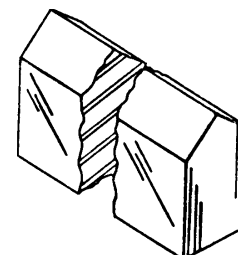
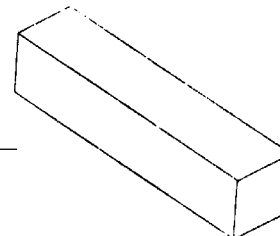
**HARDY**



# Individual Hardy Scale Parts

## Pivots

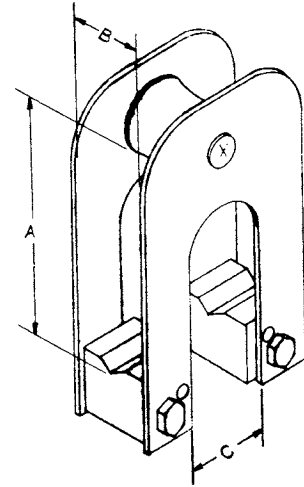
RL PART #	DESCRIPTION	SUGG. LIST
0525-0060	EQUIV. HARDY NO. 2K201 SIZE: 3/8" x 3/8" x 3 1/2" LOAD AND FULCRUM: MAIN LEVER MODELS: HS-1, HS-2 PIVOT	\$26.00
0525-0074	EQUIV. HARDY NO. 4K201 SIZE: 1/2" x 1/2" x 3 1/2" LOAD AND FULCRUM: MAIN LEVER MODELS: HS-3, HS-4 PIVOT	\$32.00
0525-0075	EQUIV. HARDY NO. 7K201 SIZE: 5/8" x 5/8" x 4" LOAD AND FULCRUM: MAIN LEVER MODEL: HS-5, HS-6, HS-7 PIVOT	\$36.00
0525-0077	EQUIV. HARDY NO. 8K201 SIZE: 3/4" x 3/4" x 4 5/8" LOAD AND FULCRUM: MAIN LEVER MODELS: HS-8 PIVOT	\$37.00
0525-0056	EQUIV. HARDY NO. 10K201 SIZE: 1/2" x 3/4" x 2 5/8" LOAD AND FULCRUM: MAIN LEVER MODELS: HS-9, HS-10 PIVOT	\$41.00
0525-0070	EQUIV. HARDY NO. 12K201 SIZE: 1/2" x 3/4" x 3 1/4" LOAD AND FULCRUM: MAIN LEVER MODELS: HS-11, HS-12 PIVOT	\$42.00



**HARDY**

# Individual Hardy Scale Parts

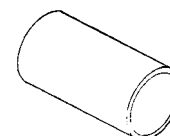
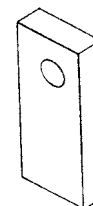
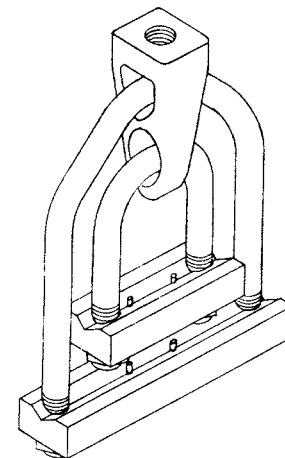
RL PART #	DESCRIPTION	SUGG. LIST
0525-0215	EQUIV. HARDY NO. KX123 SIZE: A. 2 29/32" B. 1" C. 1 1/16" USES BEARING NO. 0525-0199 LOOP	\$72.00
0525-0216	EQUIV. HARDY NO. KX124 SIZE: A. 2 29/32" B. 1" C. 15/16" USES BEARING NO. 0525-0196 LOOP	\$76.00
0525-0223	EQUIV. HARDY NO. 13KX109 SIZE: A. 2 17/32" B. 1" C. 13/16" USES BEARING NO. 0525-0194 LOOP	\$80.00
0525-0224	EQUIV. HARDY NO. 13KX110 SIZE: A. 1 27/32" B. 1" C. 13/16" USES BEARING NO. 0525-0194 LOOP	\$80.00
0525-0225	EQUIV. HARDY NO. 2KX111 SIZE: A. 2 17/32" B. 1" C. 15/16" USES BEARING NO. 0525-0196 LOOP	\$89.00
0525-0226	EQUIV. HARDY NO. 4KX111 SIZE: A. 2 17/32" B. 1" C. 1 1/16" USES BEARING NO: 0525-0199 LOOP	\$89.00
0525-0227	EQUIV. HARDY NO. 7KX111 SIZE: A. 3" B. 1 9/32" C. 1 9/16" USES BEARING NO: 0525-0203 LOOP	\$108.00
0525-0228	EQUIV. HARDY NO. 8KX111 SIZE: A. 3 9/32" B. 1 5/16" C. 1 1/2" USES BEARING NO. 0525-0207 LOOP	\$108.00



**HARDY**

# Individual Hardy Scale Parts

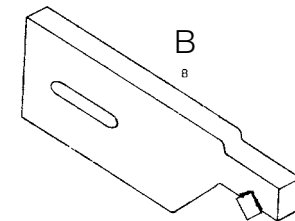
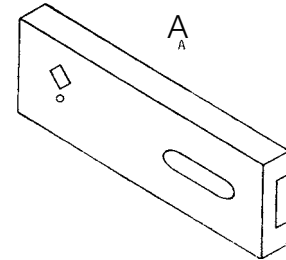
RL PART #	DESCRIPTION	SUGG. LIST
0525-0152	EQUIV. HARDY NO. 3KX2000 STEELYARD ROD DIA 1/2" TOP BEARING: 0525-0143 BOTTOM BEARING: 0525-0144 MODELS: HS-1, HS-2, HS-3 SHACKLE ASSEMBLY	\$154.00
0525-0153	EQUIV. HARDY NO. 4KX2000 STEELYARD ROD DIA 1/2" TOP BEARING: 0525-0146 BOTTOM BEARING: 0525-0147 MODEL: HS-4 SHACKLE ASSEMBLY	\$165.00
0525-0154	EQUIV. HARDY NO. 5KX2000 STEELYARD ROD DIA 5/8" TIP BEARING: 0525-0146 BOTTOM BEARING: 0525-0147 MODEL: HS-5 SHACKLE ASSEMBLY	\$170.00
0525-0155	EQUIV. HARDY NO. 7KX2000 STEELYARD ROD DIA 5/8" TOP BEARING: 0525-0148 BOTTOM BEARING: 0525-0149 MODELS: HS-6, HS-7 SHACKLE ASSEMBLY	\$186.00
0525-0156	EQUIV. HARDY NO. 8KX2000 STEELYARD ROD DIA 3/4" TOP BEARING: 0525-0133 BOTTOM BEARING: 0525-0134 MODEL: HS-8 SHACKLE ASSEMBLY	\$237.00
0525-0057	EQUIV. HARDY NO. 10K311 SIZE: 1/4" x 3/4" x 1 3/4" MODELS: HS-8, HS-9, HS-10 NOSE IRON RETAINER PLATE	\$10.00
0525-0200	EQUIV. HARDY NO. 4K1205 SIZE: 7/16" O.D. x 1" BEARING SPACER	\$10.00
0525-0204	EQUIV. HARDY NO. 7K1205 SIZE: 9/16" O.D. x 1 9/32" BEARING SPACER	\$12.00
0525-0208	EQUIV. HARDY NO. 8K1205 SIZE: 11/16" O.D. x 1 5/16" BEARING SPACER	\$13.00



**HARDY**

# Individual Hardy Scale Parts

RL PART #	DESCRIPTION	SUGG. LIST
13720	CABLE SIZE: 1/8" DIA	\$2.25/ft
13721	CABLE SIZE: 3/16" DIA	\$2.30/ft
0525-0035 (B)	EQUIV HARDY NO. 10K308 SIZE: 3/4" x 3 15/16" x 8 15/16" USES PIVOT NO. 0525-0064 MODELS: HS-8, HS-9, HS-10, R.H., NOSE IRON	\$160.00
*0525-0037 (B)	EQUIV. HARDY NO. 10K309 SIZE: 3/4" x 3 15/16" x 8 15/16" USES PIVOT NO. 0525-0064 MODELS: HS-8, HS-9, HS-10, L.H., NOSE IRON	\$160.00
0525-0045 (B)	EQUIV. HARDY NO. 3K308 SIZE: 1/2" x 3 1/32" x 8 5/16" USES PIVOT NO. 0525-0061 MODELS: HS-3, R.H., NOSE IRON	\$170.00
0525-0047 (B)	EQUIV. HARDY NO. 3K309 SIZE: 1/2" x 2 7/16" x 8 5/16" USES PIVOT NO. 0525-0061 MODELS: HS-3, L.H., NOSE IRON	\$170.00
0525-0049 (B)	EQUIV. HARDY NO. 4K308 SIZE: 5/8" x 3 11/32" x 8 5/16" USE PIVOT NO. 0525-0063 MODELS: HS-4, R.H., NOSE IRON	\$175.00
0525-0051 (B)	EQUIV. HARDY NO. 4K309 SIZE: 5/8" x 2 7/16" x 8 5/16" USES PIVOT NO. 0525-0063 MODELS: HS-4, L.H., NOSE IRON	\$175.00
0525-0053 (B)	EQUIV. HARDY NO. 7K308 SIZE: 5/8" x 2 15/16" x 8 5/16" USE PIVOT NO. 0525-0063 MODELS: HS-5, HS-6, HS-7, R.H., NOSE IRON	\$190.00
0525-0055 (B)	EQUIV. HARDY NO. 7K309 SIZE: 5/8" x 2 15/16" x 8 5/16" USE PIVOT NO. 0525-0063 MODELS: HS-5, HS-6, HS-7, L.H., NOSE IRON	\$190.00



**HARDY**



# HARDY KITS

HARDY

# Hardy Kit Price Index

By Rice Lake Part Number

<u>RL PART #</u>	<u>SUGG. LIST</u>	<u>PAGE #</u>	<u>RL PART #</u>	<u>SUGG. LIST</u>	<u>PAGE #</u>	<u>RL PART #</u>	<u>SUGG. LIST</u>	<u>PAGE #</u>
HS-101-K.....	\$748.00.....	279	HS-106-K.....	\$942.00.....	281	HS-205-K....	\$1,337.00.....	280
HS-103-K.....	\$735.00.....	279	HS-108-K....	\$1,116.00.....	281	HS-206-K....	\$1,705.00.....	281
HS-104-K.....	\$727.00.....	280	HS-203-K....	\$1,316.00.....	279	HS-208-K....	\$1,810.00.....	281
HS-105-K.....	\$942.00.....	280	HS-204-K....	\$1,342.00.....	280			

\*Item obsolete or discontinued. When remaining stock is depleted, published prices are withdrawn and the item is subject to a special order quote.

XX Call for Details

# Hardy Kit Reference

By Capacity

<u>Pivot &amp; Bearing Kits</u>			<u>Kits With Complete Assemblies</u>		
<u>CAPACITY (LB)</u>	<u>RL PART #</u>	<u>PAGE #</u>	<u>CAPACITY (LB)</u>	<u>RL PART #</u>	<u>PAGE #</u>
0-1,250 .....	HS-101-K.....	279	0-1,250 .....	HS-201-K.....	XX
1,251-2,500 .....	HS-103-K.....	279	1,251-2,500 .....	HS-203-K.....	279
2,501-6,250 .....	HS-104-K.....	280	2,501-6,250 .....	HS-204-K.....	208
6,251-7,500 .....	HS-105-K.....	280	6,251-7,500 .....	HS-205-K.....	280
7,501-12,500 .....	HS-106-K.....	281	7,501-12,500 .....	HS-206-K.....	281
12,501-25,000.....	HS-108-K.....	281	12,501-25,000 ...	HS-208-K.....	281
25,001-37,500.....	HS-109-K.....	314	25,001-37,500 ...	HS-209-K.....	XX

\*Item obsolete or discontinued. When remaining stock is depleted, published prices are withdrawn and the item is subject to a special order quote.

XX Call for Details

**HARDY**

# Hopper Scale

## Kit No. HS-101-K

Pivots & Bearings Only For The Main Levers, Models HS-1 & HS-2, 0-1, 250 lb Capacity

QTY	RL PART #	DESCRIPTION
16.....	0525-0196.....	BEARING, MAIN LEVER LOAD & FULCRUM
16.....	0525-0200.....	BEARING, SPACER
8.....	0525-0060.....	PIVOT, MAIN LEVER LOAD & FULCRUM
2.....	0525-0061.....	PIVOT, MAIN LEVER TIP (NEW STYLE)
2.....	0525-0507.....	PIVOT, MAIN LEVER TIP
1.....	0525-0143.....	BEARING, TOP OF SPLICE SHACKLE
1.....	0525-0144.....	BEARING, BOTTOM OF SPLICE SHACKLE

**\$748.00** Sugg. List / 5 lb Ship Wt.

## Kit No. HS-103-K

Pivots & Bearings Only For The Main Levers Model HS-3, 1, 251-2, 500 lb Capacity

QTY	RL PART #	DESCRIPTION
16.....	0525-0199.....	BEARING, MAIN LEVER LOAD & FULCRUM
16.....	0525-0200.....	BEARING, SPACER
8.....	0525-0074.....	PIVOT, MAIN LEVER LOAD & FULCRUM
2.....	0525-0061.....	PIVOT, MAIN LEVER TIP (NEW STYLE)
2.....	0525-0507.....	PIVOT, MAIN LEVER TIP
1.....	0525-0143.....	BEARING, TOP OF SPLICE SHACKLE
1.....	0525-0144.....	BEARING, BOTTOM OF SPLICE SHACKLE

**\$735.00** Sugg. List / 7 lb Ship Wt.

## Kit No. HS-203-K

This Kit Fits The Above Scale, But Has Complete Assemblies

QTY	RL PART #	DESCRIPTION
8.....	0525-0226.....	LOOP, MAIN LEVER
8.....	0525-0074.....	PIVOT, MAIN LEVER
1.....	0525-0045.....	PIVOT WITH NOSE IRON
1.....	0525-0047.....	PIVOT WITH NOSE IRON
1.....	0525-0152.....	SHACKLE ASSEMBLY

**\$1,316.00** Sugg. List / 18 lb Ship Wt.

Hardy kits



# Hopper Scale

## Kit No. HS-104-K

Pivots & Bearings Only For The Main Levers Model HS-4, 2, 501-6, 250 lb Capacity

QTY	RL PART #	DESCRIPTION
16.....	0525-0199.....	BEARING, MAIN LEVER LOAD & FULCRUM
16.....	0525-0200.....	BEARING, SPACER
8.....	0525-0074.....	PIVOT, MAIN LEVER LOAD & FULCRUM
2.....	0525-0063.....	PIVOT, MAIN LEVER TIP (NEW STYLE)
2.....	0525-0508.....	PIVOT, MAIN LEVER TIP
1.....	0525-0146.....	BEARING, TOP OF SPLICE SHACKLE
1.....	0525-0147.....	BEARING, BOTTOM OF SPLICE SHACKLE

**\$727.00** Sugg. List / 6 lb Ship Wt.

## Kit No. HS-204-K

This Kit Fits The Above Scale, But Has Complete Assemblies

QTY	RL PART #	DESCRIPTION
8.....	0525-0226.....	LOOP, MAIN LEVER
8.....	0525-0074.....	PIVOT, MAIN LEVER LOAD & FULCRUM
1.....	0525-0049.....	PIVOT WITH NOSE IRON, R.H.
1.....	0525-0051.....	PIVOT WITH NOSE IRON, L.H.
1.....	0525-0153.....	SHACKLE ASSEMBLY

**\$1,342.00** Sugg. List / 21 lb Ship Wt.

## Kit No. HS-105-K

Pivots & Bearings Only For The Main Levers Model HS-5, 6, 251-7, 500 lb Capacity

QTY	RL PART #	DESCRIPTION
16.....	0525-0203.....	BEARING, MAIN LEVER LOAD & FULCRUM
16.....	0525-0204.....	BEARING, SPACER
8.....	0525-0075.....	PIVOT, MAIN LEVER LOAD & FULCRUM
2.....	0525-0063.....	PIVOT, MAIN LEVER TIP (NEW STYLE)
2.....	0525-0508.....	PIVOT, MAIN LEVER TIP
1.....	0525-0146.....	BEARING, TOP OF SPLICE SHACKLE
1.....	0525-0147.....	BEARING, BOTTOM OF SPLICE SHACKLE

**\$942.00** Sugg. List / 11 lb Ship Wt.

## Kit No. HS-205-K

This Kit Fits The Above Scale, But Has Complete Assemblies

QTY	RL PART #	DESCRIPTION
8.....	0525-0227.....	LOOP, MAIN LEVER LOAD & FULCRUM
8.....	0525-0075.....	PIVOT, MAIN LEVER LOAD & FULCRUM
1.....	0525-0053.....	PIVOT WITH NOSE IRON, R.H.
1.....	0525-0055.....	PIVOT WITH NOSE IRON, L.H.
1.....	0525-0154.....	SHACKLE ASSEMBLY

**\$1,337.00** Sugg. List / 37 lb Ship Wt.

Hardy Kits

# Hopper Scale

## Kit No. HS-106-K

Pivots & Bearings Only For The Main Levers, Models HS-6 & HS-7, 7, 501-12, 500 lb Capacity

QTY	RL PART #	DESCRIPTION
16.....	0525-0203.....	BEARING, MAIN LEVER LOAD & FULCRUM
16.....	0525-0204.....	BEARING, SPACER
8.....	0525-0075.....	PIVOT, MAIN LEVER LOAD & FULCRUM
2.....	0525-0063.....	PIVOT, MAIN LEVER TIP (NEW STYLE)
2.....	0525-0508.....	PIVOT, MAIN LEVER TIP
1.....	0525-0148.....	BEARING, TOP OF SPLICE SHACKLE
1.....	0525-0149.....	BEARING, BOTTOM OF SPLICE SHACKLE

**\$942.00** Sugg. List / 12 lb Ship Wt.

## Kit No. HS-206-K

This Kit Fits The Above Scale, But Has Complete Assemblies

QTY	RL PART #	DESCRIPTION
8.....	0525-0227.....	LOOP, MAIN LEVER LOAD & FULCRUM
8.....	0525-0075.....	PIVOT, MAIN LEVER LOAD & FULCRUM
1.....	0525-0053.....	PIVOT WITH NOSE IRON, R.H.
1.....	0525-0055.....	PIVOT WITH NOSE IRON, L.H.
1.....	0525-0155.....	SHACKLE ASSEMBLY

**\$1,705.00** Sugg. List / 39 lb Ship Wt.

## Kit No. HS-108-K

Pivots & Bearings For The Main Levers, Models HS-8, 12, 501-25,000 lb Capacity

QTY	RL PART #	DESCRIPTION
16.....	0525-0207.....	BEARING, MAIN LEVER LOAD & FULCRUM
16.....	0525-0208.....	BEARING, SPACER
8.....	0525-0077.....	PIVOT, MAIN LEVER LOAD & FULCRUM
2.....	0525-0064.....	PIVOT, MAIN LEVER TIP (NEW STYLE)
2.....	0525-0509.....	PIVOT, MAIN LEVER TIP
1.....	0525-0133.....	BEARING, TOP OF SPLICE SHACKLE
1.....	0525-0134.....	BEARING, BOTTOM OF SPLICE SHACKLE

**\$1,116.00** Sugg. List / 18 lb Ship Wt.

## Kit No. HS-208-K

This Kit Fits The Above Scale But Has Complete Assemblies

QTY	RL PART #	DESCRIPTION
8.....	0525-0228.....	LOOP, MAIN LEVER LOAD & FULCRUM
8.....	0525-0077.....	PIVOT, MAIN LEVER LOAD & FULCRUM
1.....	0525-0035.....	PIVOT WITH NOSE IRON, R.H.
1.....	0525-0037.....	PIVOT WITH NOSE IRON, L.H.
1.....	0525-0156.....	SHACKLE ASSEMBLY

**\$1,810.00** Sugg. List / 64 lb Ship Wt.

Hardy kits

**Notes:**

Lined area for notes, consisting of a thick top line followed by numerous horizontal lines.

HARDY

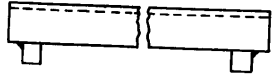

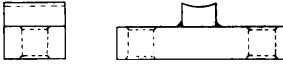

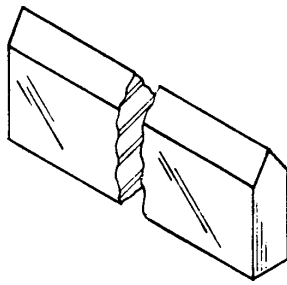
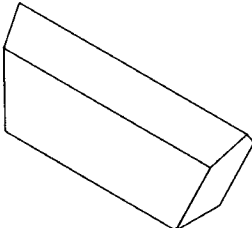
# MISCELLANEOUS

MISCELLANEOUS

# Baker/Weld-tec

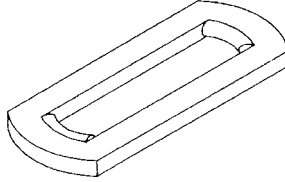
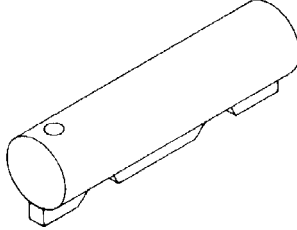
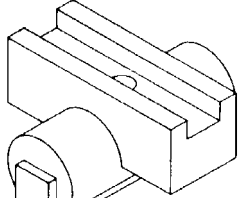

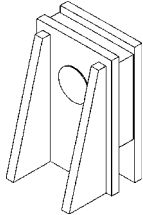
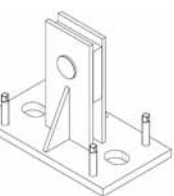
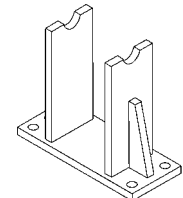
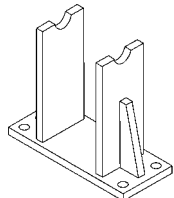
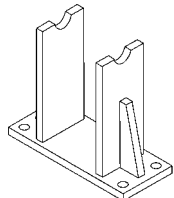
## Truck Scale Parts

MISCELLANEOUS

RL PART #	DESCRIPTION	SUGG. LIST	
34353	SIZE: 1" x 3/4" x 6 9/16" 5 1/8" BETWEEN FEET BEARING, 50 & 60 TON, LOAD FULCRUM	\$42.00	
34352	SIZE: 1" x 3/4" x 8" 6 1/8" BETWEEN FEET BEARING, 80 TON, FULCRUM	\$49.00	
34351	SIZE: 1" x 3/4" x 8" 6 5/8" BETWEEN FEET BEARING, 80 TON, LOAD	\$49.00	
F462	SIZE: 1" x 3/4" x 6" 4 3/16" BETWEEN FEET BEARING, ALL TORQUE TUBE FULCRUM	\$41.00	
F461	BEARING SIZE: 1" x 3/4" x 2 1/16" BLOCK SIZE: 2" x 1" x 5 1/4" BEARING ASSEMBLY, UPPER TIP CONNECTION	\$44.00	
F460	BEARING SIZE: 1" x 3/4" x 2 1/16" BLOCK SIZE: 2" x 3/4" x 5 1/4" BEARING ASSEMBLY, LOWER TIP CONNECTION	\$46.00	
10800	SIZE: 1/2" x 1 1/32" x 6 1/2" PIVOT, LOAD & FULCRUM 50 & 60 TON, 32 1/2 TON/SECTION	\$29.00	
10801	SIZE: 1/2" x 1 1/32" x 8" PIVOT, LOAD & FULCRUM 80 TON, 40 TON/SECTION	\$37.00	
F454P	SIZE: 1/2" x 1" x 6" PIVOT, TORQUE TUBE LOAD & FULCRUM ALL CAPACITIES	\$26.00	
F457P	SIZE: 1/2" x 1" x 2" PIVOT, TIP ALL CAPACITIES	\$19.00	

# Baker/Weld-tec

## Truck Scale Parts

RL PART #	DESCRIPTION	SUGG. LIST	
H714L	LINK SIZE: 3/4" x 5" x 12 3/8" LINK I.D. 8 3/8" ALL MODELS	\$86.00	
SP403	TRUNNION SIZE: 2" DIA x 8" ALL MODELS	\$132.00	
SP404	SADDLE BLOCK SIZE: 5" x 3" x 5" ALL 30, 50, & 60 TON SCALES WITH 6 1/2" PIVOTS	\$237.00	
22912	SADDLE BLOCK SIZE: 5" x 3" x 6 1/2" ALL 80 TON SCALE WITH 8" PIVOT	\$245.00	
11129	STAND, PORTABLE SCALES SIZE: 5" x 7 5/8" TO BEGINNING SURFACE 32 1/2 TON/SECTIONAL SCALES	\$237.00	
SZ17906	STAND, PORTABLE SCALES SIZE: 6" WIDE x 8" HIGH 40 TON SECTIONAL	\$245.00	
S9686-1	STAND, PIT SIZE: 8" x 18" BASE x 8 1/2" HIGH 32 1/2 TON SECTIONAL	\$285.00	
S9686	STAND, PIT SIZE: 8" x 18" BASE x 8 1/2" HIGH 40 TON SECTIONAL	\$300.00	
S5081	GIRDER CHAIR SIZE: 6" x 12" BASE x 13 3/4" 32 1/2 TON SECTIONAL	\$325.00	

MISCELLANEOUS

# Baker/Weld-tec

Truck Scale Kits

MISCELLANEOUS

## Kit No. 35418

Pivot & Bearing Kit, 2-Section, 30-Ton

QTY	RL PART #	DESCRIPTION
8.....	10800 .....	PIVOT, LOAD & FULCRUM
8.....	34353 .....	BEARING, LOAD & FULCRUM
4.....	F454P .....	PIVOT, TORQUE TUBE LOAD & FULCRUM
3.....	F457P .....	PIVOT, TIP
3.....	F460 .....	BEARING BLOCK ASSEMBLY
2.....	F461 .....	BEARING BLOCK ASSEMBLY
2.....	F462 .....	BEARING, TORQUE TUBE FULCRUM

**\$1,240.00** Sugg. List / 50 lb Ship Weight

## Kit No. 35419

Suspension Kit, 2-Section, 30 Ton

QTY	RL PART #	DESCRIPTION
8.....	H714L.....	LINK
4.....	SP403.....	TRUNNION
4.....	SP404.....	SADDLE BLOCK

**\$1,855.00** Sugg. List / 135 lb Ship Weight

## Kit No. 35420

Pivot & Bearing Kit, 4-Section, 50 & 60 Ton, 32 1/2 Tons Per Section

QTY	RL PART #	DESCRIPTION
16.....	10800 .....	PIVOT, LOAD & FULCRUM
16.....	34353 .....	BEARING, LOAD FULCRUM
8.....	F454P .....	PIVOT, TORQUE TUBE LOAD & FULCRUM
5.....	F457P .....	PIVOT, TIP
5.....	F460 .....	BEARING BLOCK ASSEMBLY
4.....	F461 .....	BEARING BLOCK ASSEMBLY
4.....	F462 .....	BEARING, TORQUE TUBE FULCRUM

**\$2,480.00** Sugg. List / 100 lb Ship Weight

# Baker/Weld-tec

Truck Scale Kits

MISCELLANEOUS

## Kit No. 35421

Suspension Kit, 4-Sections, 50 & 60 Ton, 32 1/2 Tons Per Section

QTY	RL PART #	DESCRIPTION
-----	-----------	-------------

16.....	H714L.....	LINK
8.....	SP403.....	TRUNNION
8.....	SP404.....	SADDLE BLOCK

**\$3,667.00** Sugg. List / 265 lb Ship Weight

## Kit No. 35422

Pivot & Bearings Kit, 5-Section, 50 & 60 Ton, 32 1/2 Tons Per Section

QTY	RL PART #	DESCRIPTION
-----	-----------	-------------

20.....	10800.....	PIVOT, LOAD & FULCRUM
20.....	34353.....	BEARING, LOAD & FULCRUM
10.....	F454P.....	PIVOT, TORQUE TUBE LOAD & FULCRUM
6.....	F457P.....	PIVOT, TIP
6.....	F460.....	BEARING BLOCK ASSEMBLY
5.....	F461.....	BEARING BLOCK ASSEMBLY
5.....	F462.....	BEARING, TORQUE TUBE FULCRUM

**\$2,790.00** Sugg. List / 130 lb Ship Weight

## Kit No. 35423

Suspension Kit, 5-Section, 50 & 60 Ton, 32 1/2 Tons Per Section

QTY	RL PART #	DESCRIPTION
-----	-----------	-------------

20.....	H714L.....	LINK
10.....	SP403.....	TRUNNION
10.....	SP404.....	SADDLE BLOCK

**\$4,630.00** Sugg. List / 325 lb Ship Weight

## Kit No. 35424

Pivot & Bearings Kit, 4-Section, 80 Ton, 40 Tons Per Section

QTY	RL PART #	DESCRIPTION
-----	-----------	-------------

16.....	10801.....	PIVOT, LOAD & FULCRUM
8.....	34351.....	BEARING, LOAD
8.....	34352.....	BEARING, FULCRUM
8.....	F454P.....	PIVOT, TORQUE TUBE LOAD & FULCRUM
5.....	F457P.....	PIVOT, TIP
5.....	F460.....	BEARING BLOCK ASSEMBLY
4.....	F461.....	BEARING BLOCK ASSEMBLY
4.....	F462.....	BEARING, TORQUE TUBE FULCRUM

**\$2,425.00** Sugg. List / 110 lb Ship Weight



# Baker/Weld-tec

Truck Scale Kits

## Kit No. 35425

Suspension Kit, 4-Section, 80 Ton, 40 Tons Per Section

QTY	RL PART #	DESCRIPTION
-----	-----------	-------------

16.....	H714L.....	LINK
8.....	SP403.....	TRUNNION
8.....	22912.....	SADDLE BLOCK

**\$3,932.00** Sugg. List / 280 lb Ship Weight

## Kit No. 35426

Pivot & Bearings Kit, 5-Sections, 80 Ton, 40 Tons Per Section

QTY	RL PART #	DESCRIPTION
-----	-----------	-------------

20.....	10801.....	PIVOT, LOAD & FULCRUM
10.....	34351.....	BEARING, LOAD
10.....	34352.....	BEARING, FULCRUM
10.....	F454P.....	PIVOT, TORQUE TUBE LOAD & FULCRUM
6.....	F457P.....	PIVOT, TIP
6.....	F460.....	BEARING BLOCK ASSEMBLY
5.....	F461.....	BEARING BLOCK ASSEMBLY
5.....	F462.....	BEARING, TORQUE TUBE FULCRUM

**\$3,031.00** Sugg. List / 135 lb Ship Weight

## Kit No. 35427

Suspension Kit, 5-Section, 80 Ton, 40 Tons Per Section

QTY	RL PART #	DESCRIPTION
-----	-----------	-------------

20.....	H714L.....	LINK
10.....	SP403.....	TRUNNION
10.....	22912.....	SADDLE BLOCK

**\$4,915.00** Sugg. List / 350 lb Ship Weight

# Canadian Scale Co. Ltd.

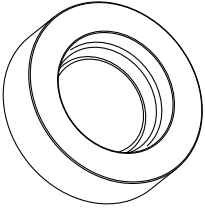


## Truck Scale Parts

RL PART #	DESCRIPTION	SUGG. LIST	
H614P	CANADIAN PN PIVOT, SIZE: 1/2" x 1 1/8" x 2"	\$26.00	
C103P	CANADIAN PN PIVOT, SIZE: 1/2" x 1 1/8" x 5 1/2"	\$35.00	
P716P	CANADIAN PN PIVOT, SIZE: 1/2" x 1 1/8" x 6 1/2"	\$37.00	
C102	CANADIAN PN BEARING SIZE: 1" x 1" x 5 1/2" HOLE IN BOTTOM	\$44.00	
C104	CANADIAN PN BEARING SIZE: 1" x 1" x 6 1/2" HOLE IN BOTTOM	\$47.00	
C101	CANADIAN PN BEARING SIZE: 1" x 1" x 6 1/2" HOLE IN SIDE	\$47.00	

MISCELLANEOUS

# Cardinal SCA Load Cell

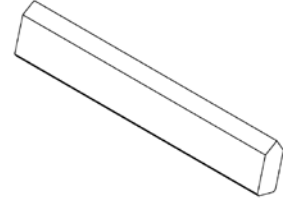
## Load Cup Identification & Part Number

RL PART #	DESCRIPTION	SUGG. LIST	
69431	CUPS, LOAD CELL FOR 50K SCA SIZE: 2 1/2" DIA x 13/16" H, 1.910 I.D. UPPER & LOWER	\$52.00	
85433	RICE LAKE RLSCA CUPS, LOAD CELL SIZE: 2 1/2" DIA x 3/4" H, 1 1/2" I.D. SET OF 2 PIECES	\$95.00	
92988	O-RING, RL CELL SIZE: 1 1/4" I.D. x 1 1/2" O.D. RL SCA	\$1.00	
68918	LOAD CELL, RLSCA REPLACES CARDINAL SCA SIZE: 3 O.D. x 7 3/4" WITH CUPS COMPLETE, LOAD CELL & CUPS	\$995.00	

# Durline/Derlein

## Truck Scale Parts

<b>RL PART #</b>	<b>DESCRIPTION</b>	<b>SUGG. LIST</b>
290013	EQUIV. DURLINE NO. 508100, 290013 PIVOT SIZE: 1/2" x 1" x 2"	\$21.00
290014	EQUIV. DURLINE NO. 508200, 290014 PIVOT SIZE: 1/2" x 1" x 3"	\$23.00
290015	EQUIV. DURLINE NO. 508300, 290015 PIVOT SIZE: 1/2" x 1" x 4"	\$25.00
290016	EQUIV. DURLINE NO. 508400, 290016 PIVOT SIZE: 1/2" x 1" x 5 7/8"	\$27.00
290017	EQUIV. DURLINE NO. 508500, 290017 PIVOT SIZE: 1/2" x 1" x 7"	\$29.00
290018	EQUIV. DURLINE NO. 508600, 290018 PIVOT SIZE: 1/2" x 1" x 8"	\$48.00
290019	EQUIV. DURLINE NO. 508700, 290019 PIVOT SIZE: 1/2" x 1" x 9 3/8"	\$52.00



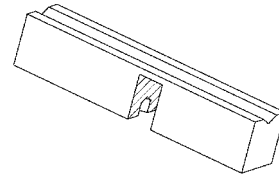
**MISCELLANEOUS**

# Durline/Derlein

## Truck Scale Parts

MISCELLANEOUS

RL PART #	DESCRIPTION	SUGG. LIST
290021	EQUIV. DURLINE NO. 508800 BEARING SIZE: 1" x 1" x 1"	\$19.00
290023	EQUIV. DURLINE NO. 508900 BEARING SIZE: 1" x 1" x 2"	\$21.00
290026	EQUIV. DURLINE NO. 509100 BEARING SIZE: 1" x 1" x 3"	\$27.00
290030	EQUIV. DURLINE NO. 509200 BEARING SIZE: 1" x 1" x 5 7/8"	\$43.00
290032	EQUIV. DURLINE NO. 509300 BEARING SIZE: 1" x 1" x 7"	\$45.00
290034	EQUIV. DURLINE NO. 509400 BEARING SIZE: 1" x 1" x 8"	\$58.00
290037	EQUIV. DURLINE NO. 509500 BEARING SIZE: 1" x 1 1/2" x 9 3/8"	\$110.00
290025	EQUIV. DURLINE NO. 509000 BEARING WITH FRICTIONS SIZE: 1" x 1" x 2 1/8"	\$26.00
290027	EQUIV. DURLINE NO. 509101 BEARING WITH FRICTIONS SIZE: 1" x 1" x 2 7/8"	\$27.00



# Durline/Derlein

## Suspension

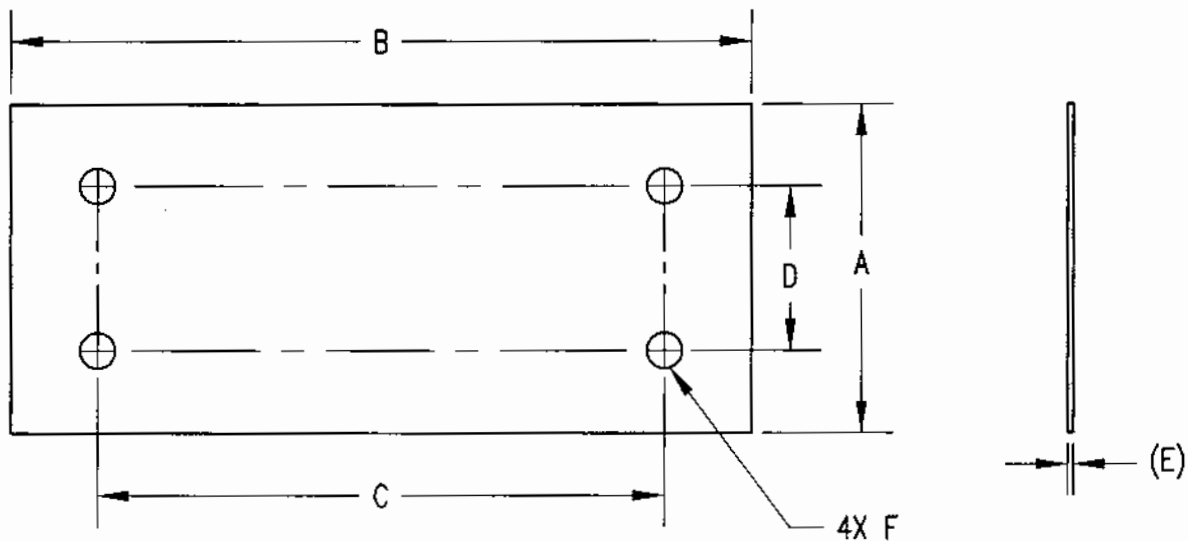
RL PART #	DESCRIPTION	SUGG. LIST	
502800	EQUIV. DURLINE NO. 502800 SIZE: 2" DIA x 7 1/4" TRUNNION 35/42 T SEC	\$125.00	
109573	EQUIV. DURLINE NO. 502900, 675006 SIZE: 2 1/2" DIA x 7 7/16" TRUNNION 55/75 T SEC	\$148.00	
109564	EQUIV. DURLINE NO. SIZE: 4 3/8" x 4" x 5 5/8" SADDLE BLOCK 35/42 T SEC	\$235.00	
84196	EQUIV. DURLINE NO. 675002 SIZE: 4 1/4" x 4" x 9" SADDLE BLOCK 55/75 T SEC	\$275.00	
502200	EQUIV. DURLINE NO. 502200 SIZE: 5/8" x 5" x 12", 8 5/8" INNER DIAMETER LINK 35/42 T SEC	\$85.00	
84860	EQUIV. DURLINE NO. 675005 SIZE: 3/4" x 6" x 16", 11 1/16" INNER DIAMETER LINK 55/75 T SEC	\$98.00	
94657	EQUIV. DURLINE NO. 300024 SIZE: 2" x 2 1/2" x 6" TIP CONNECTION WITH BEARING 35/42 T SEC	\$74.00	
84221	EQUIV. DURLINE NO. 675014 SIZE: 2" x 2" x 6" TIP CONNECTION 55/75 T SEC	\$81.00	
94658	EQUIV. DURLINE NO. 300023 SIZE: 2" x 2 1/2" x 6" TIP CONNECTION 35/42 T SEC	\$77.00	
84219	EQUIV. DURLINE NO. 675015 SIZE: 2" x 3 1/4" x 6" TIP CONNECTION 55/75 T SEC	\$82.00	
S10156	EQUIV. DURLINE NO. SIZE 10" x 12" BASE x 14 3/8" GIRDER CHAIR	CALL	

MISCELLANEOUS

# ELECTRONIC FLEXURES

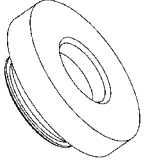
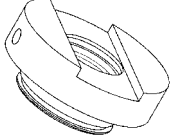
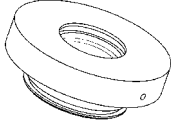
MISCELLANEOUS

PART #	A	B	C	D	E	F	SUGG. LIST
33305.....	2.50.....	3.00.....	1.500.....	1.50.....	.032.....	ø.390.....	\$35.00
33306.....	2.50.....	3.00.....	1.500.....	1.50.....	.025.....	ø.390.....	\$35.00
33303.....	3.00.....	3.25.....	2.250.....	1.50.....	.032.....	ø.390.....	\$38.00
33304.....	3.00.....	3.25.....	2.250.....	1.50.....	.025.....	ø.390.....	\$38.00
11142.....	3.00.....	3.25.....	1.750.....	1.50.....	.040.....	ø.390.....	\$38.00
33302.....	3.00.....	3.75.....	2.250.....	1.50.....	.032.....	ø.390.....	\$38.00
11138.....	3.00.....	3.75.....	2.250.....	1.50.....	.042.....	ø3.90.....	\$38.00
33087.....	3.00.....	4.75.....	3.250.....	1.50.....	.032.....	ø.390.....	\$38.00
11140.....	3.00.....	4.75.....	3.250.....	1.50.....	.040.....	ø.390.....	\$38.00
11141.....	4.00.....	5.50.....	3.500.....	2.00.....	.062.....	ø.531.....	\$38.00
33086.....	4.00.....	6.00.....	3.500.....	2.00.....	.062.....	ø.500.....	\$45.00
33307.....	4.00.....	7.00.....	4.500.....	2.00.....	.062.....	ø.500.....	\$60.00
11139.....	4.00.....	8.50.....	6.500.....	2.00.....	.062.....	ø.531.....	\$63.00
Consult.....	4.00.....	4.75.....	3.25.....	2.00.....	.062.....	ø.531.....	\$45.00



# FAIRBANKS ROCKER COLUMN LOAD CELLS

## Load Cup Identification & Part Number

RL PART #	DESCRIPTION	SUGG. LIST	
109228	EQUIV. FAIRBANKS NO. 66980 SIZE: 3 3/4" DIA x 1 3/8" FITS UPPER & LOWER FITS FLINTEC & SENSORTRONIC LCF -HR4020-1 WITH O-RING 72103	\$147.00	
109331	EQUIV. FAIRBANKS NO. 70511 SIZE: 3 3/4" DIA x 1 5/8" RECEIVER CUP, LOWER FITS FLINTEC RC3 FOR LOAD CELL LCF-HR4020-2A W/ ROLL PIN, PN 15290 W/ O-RINGS, PN 72103, 109355	\$135.00	
109332	EQUIV. FAIRBANKS NO. 70512 SIZE: 3 3/4" DIA. x 1 3/8" RECEIVER CUP, UPPER FIT FLINTEC RC3 FOR LOAD CELL LCF-HR4020-2A W/ O-RINGS, PN 72103,109355	\$135.00	

CALL FOR OTHER LOAD CELL CUPS

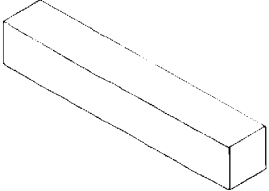
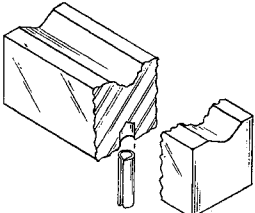
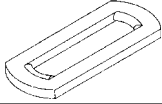
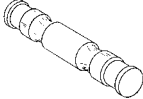
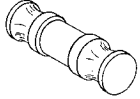
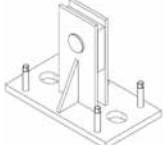
**MISCELLANEOUS**



# Hardin

## Truck Scales

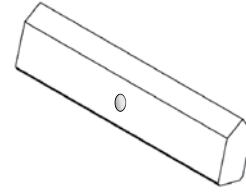
MISCELLANEOUS

RL PART #	DESCRIPTION	SUGG. LIST	
10873	HARDIN EQUIV. PN PIVOT SIZE: 1/2" x 1/2" x 6"	\$30.00	
TH922P	HARDIN EQUIV. PN PIVOT SIZE: 1/2" x 1/2" x 2 1/4"	\$20.00	
10799	HARDIN EQUIV. PN BEARING SIZE: 1" x 1" x 3"	\$36.00	
CM702	HARDIN EQUIV. PN BEARING SIZE: 1" x 1" x 6"	\$42.00	
H714L	HARDIN EQUIV. PN LINK SIZE: 3/4 x 5" x 12 3/8"	\$86.00	
11121	HARDIN EQUIV. PN TRUNNION SIZE: 2" DIA x 8 1/2"	\$135.00	
11120	HARDIN EQUIV. PN SADDLE PIN SIZE: 2" DIA x 5 1/2"	\$105.00	
H910	HARDIN EQUIV. PN STAND, MAIN LEVER SIZE: 8" x 14" BASE x 11" HIGH	\$310.00	

# Rex

## Hopper Scale Pivots

RL PART #	DESCRIPTION	SUGG. LIST
10983	PIVOT SIZE: 1/2" x 3/4" x 3 3/4"	\$38.00
11020	PIVOT SIZE: 3/4" x 1" x 4 3/4"	\$50.00
10984	PIVOT SIZE: 1" x 1 1/4" x 6"	\$62.00




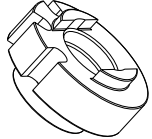




**MISCELLANEOUS**

# Rice Lake

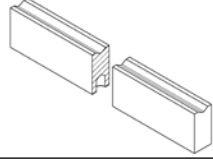
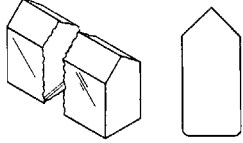
## Load Cell Cups

MISCELLANEOUS

RL PART #	DESCRIPTION	SUGG. LIST	
71602	TOLEDO EQUIV TA200764 SIZE: 3 3/4" DIA x 1 1/4" STANDARD DIGITAL UPPER	\$132.00	
44290	RICE LAKE RETRO KIT CUP SIZE: 3 3/4" DIA x 1 3/4" LOWER FOR KITS 78713, 78714 & 152774 WITH FLINTEC RC1 LOAD CELL	\$125.00	
154107	RICE LAKE RETRO KIT CUP SIZE: 3 3/4" DIA x 1 13/16" UPPER FOR KIT NO. 154347, 154348, 154349 UPPER WITH FLINTEC RC3 LOAD CELL TRUCK ONLY	\$135.00	
154106	RICE LAKE RETRO KIT CUP SIZE: 3 3/4" DIA x 2 3/16" FOR KIT NO. 154347, 154348, 154349 LOWER WITH FLINTEC RC3 LOAD CELLS TRUCK SCALE ONLY	\$135.00	
111365	RICE LAKE RETRO KIT CUP SIZE: 3 3/4" DIA X 2" UPPER FOR KITS 129844, 111367 WITH FLINTEC RC3 LOAD CELLS RAIL/TRUCK COMBO FOR KITS 129844 & 111367	\$135.00	
111366	RICE LAKE RETRO KIT CUP SIZE: 4 1/8" DIA x 1 3/8" LOWER WITH FLINTEC RC3 LOAD CELLS RAIL/TRUCK COMBO FOR KITS 129844 & 111367	\$133.00	

# Southwestern

## Truck Scale Parts

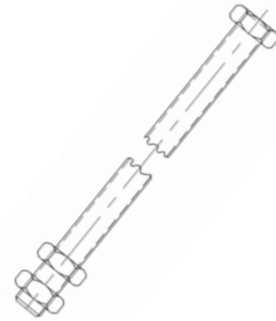
RL PART #	DESCRIPTION	SUGG. LIST	
10825	BEARING SIZE: 5/8" x 1 1/4" x 7"	\$44.00	
10823	BEARING SIZE: 5/8" x 1 1/4" x 6"	\$41.00	
10834	PIVOT SIZE: 1/2" x 1" x 7"	\$33.00	
10832	PIVOT SIZE: 1/2" x 1" x 6"	\$31.00	
10843	PIVOT SIZE: 1/2" x 1" x 2"	\$18.00	

MISCELLANEOUS

# TIP CONNECTION BOLTS


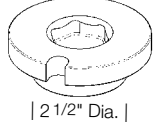

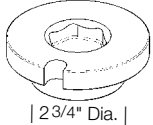
MISCELLANEOUS

RL PART #	DESCRIPTION	SUGG. LIST
154030	BOLT, 1/2" DIA x 16"	\$22.00
90846	BOLT, 5/8" DIA x 8"	\$15.00
90836	BOLT, 5/8" DIA x 13"	\$17.00
90815	BOLT, 5/8" DIA x 16"	\$18.00
CM721	BOLT, 5/8" DIA x 18"	\$19.00
154029	BOLT, 3/4" DIA x 12"	\$21.00
94458	BOLT, 3/4" DIA x 15"	\$22.00
94459	BOLT, 3/4" DIA x 21"	\$28.00



# TOLEDO DIGITOL LOAD CELLS

## Load Cup Identification & Part Number

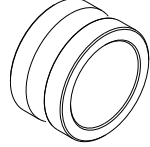
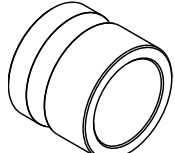
RL PART #	DESCRIPTION	SUGG. LIST	
71602	TOLEDO EQUIV. NO. TA200764 SIZE: 3 3/4" DIA x 1 1/4" RECEIVER CUP, UPPER W/ O-RING 72103 FITS DIGITOL CELLS E14CO2500A, 15476400A A15475900A TRUCK SCALES ONLY	\$132.00	
101563	TOLEDO EQUIV. NO. TA200814 SIZE: 3 3/4" DIA x 1 1/4" RECEIVER CUP, LOWER W/ O-RING 72103 FITS DIGITOL CELLS E14002500A, E12995400A 15476400A, A15475900A TRUCK SCALES ONLY	\$132.00	
156255	TOLEDO EQUIV. NO. TA200835-1 SIZE: 3 3/4" DIA. x 1 1/2 H RECEIVER CUP, UPPER W/ O-RING 94272 FITS DIGITOL CELLS PN 14002900A, 15475900A TRUCK/TRACK COMBO	\$135.00	
156244	TOLEDO EQUIV. NO. TA200830-1 SIZE: 4 1/8" DIA. x 1 1/2 H FITS DIGITOL CELLS PN 14002900A, 15475900A TRUCK/TRACK COMBO	\$135.00	

MISCELLANEOUS

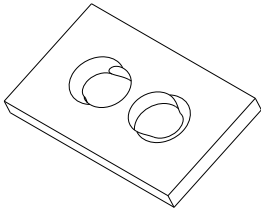
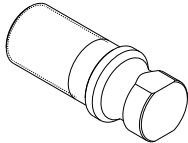
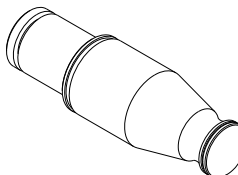
# INDIVIDUAL SCALE PARTS

MISCELLANEOUS

## UNIBRIDGE

RL PART #	DESCRIPTION	SUGG. LIST	
130187	EQUIV. UNIBRIDGE NO. SIZE: 1.8" I.D. x 2.375" O.D. x 1 3/8 LG MECHANICAL SLEEVE	\$96.00	
130188	EQUIV. UNIBRIDGE NO. SIZE: 1.8" I.D. x 2.375" O.D. x 2 1/16 LG ELECTRONIC SCALES SLEEVE	\$96.00	

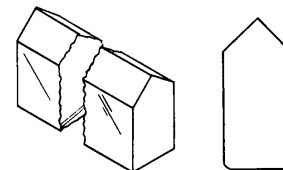
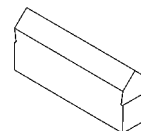
## WEIGH TRONIX

RL PART #	DESCRIPTION	SUGG. LIST	
154031	EQUIV. WEIGH-TRONIX NO. LINK SIZE: 3/4. x 5. x 8 1/2" 4 13/16" I.D.	\$110.00	
154118	EQUIV. WEIGH-TRONIX NO. 27171-0014 LINK SIZE: 3/4. x 6 x 8 1/2" 4 13/16" I.D.	\$120.00	
154119	EQUIV. WEIGH-TRONIX NO. 50816-0015 LINK SIZE: 1 x 6 x 9" 4 15/16" I.D.	\$140.00	
154144	EQUIV. WEIGH TRONIX NO. 14006-0013 SIZE: 1 3/4" DIA x 4 1/4" 1 1/2-12NF THREADS	\$156.00	
154146	EQUIV. WEIGH TRONIX NO. 50816-0017 PIN W/SPACER 55488-0013 SIZE: 2 1/2" DIA x 8 1/4"	\$140.00	

# Winslow

Truck Scale Parts

RL PART #	DESCRIPTION	SUGG. LIST
10739	EQUIV. WINSLOW NO. A698 SIZE: 1/2" x 1" x 2 1/4"	\$26.00
89459	EQUIV. WINSLOW NO. B20 SIZE: 1/2" x 1" x 1 1/2" PIVOT	\$19.00
10733	EQUIV. WINSLOW NO. B2 SIZE: 31/64" x 1" x 2 3/4"	\$19.00
10702	EQUIV. WINSLOW NO. D95L1 SIZE: 1/2" x 1" x 2 3/4"	\$19.00
10714	EQUIV. WINSLOW NO. D95 L15 SIZE: 1/2" x 1" x 3 3/16"	\$19.00
10717	EQUIV. WINSLOW NO. B983L1 SIZE: 1/2" x 1" x 4 1/8"	\$20.00
10718	EQUIV. WINSLOW NO. B983L2 SIZE: 1/2" x 1" x 4 5/8"	\$21.00
*10703	EQUIV. WINSLOW NO. D95-L2 SIZE: 1/2" x 1" x 4 9/16"	\$22.00
10719	EQUIV. WINSLOW NO. B983L3 SIZE: 1/2" x 1" x 5 1/4"	\$24.00
10721	EQUIV. WINSLOW NO. B983L3 SIZE: 1/2" x 1" x 5 5/8"	\$25.00
10700	EQUIV. WINSLOW NO. D95L3 SIZE: 1/2" x 1" x 6 1/16"	\$26.00
10701	EQUIV. WINSLOW NO. D95L4 SIZE: 1/2" x 1" x 6 9/16"	\$28.00
10722	EQUIV. WINSLOW NO. B983 SIZE: 1/2" x 1" x 6 5/8"	\$28.00
10704	EQUIV. WINSLOW NO. D95L5 SIZE: 5/8" x 1 1/4" x 8 7/16"	\$77.00
10724	EQUIV. WINSLOW NO. B983L7 SIZE: 5/8" x 1 1/4" x 8 1/2"	\$77.00



MISCELLANEOUS

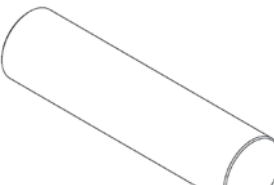


# Winslow

## Truck Scale Parts

MISCELLANEOUS

RL PART #	DESCRIPTION	SUGG. LIST	
10742	EQUIV. WINSLOW NO. SIZE: 7/8" SQ BEARING	\$22.00	
10743	EQUIV. WINSLOW NO. B-15 SIZE: 5/8" x 1 1/4" x 2 3/8" WITH FRICTION PLATES	\$29.00	
89460	EQUIV. WINSLOW NO. B33 SIZE: 1/2" x 1" x 1 5/8" BEARING	\$28.00	
10740	EQUIV. WINSLOW NO. B12 SIZE: 5/8" x 1 1/4" x 2 11/16" WITH FRICTION POINTS BOTH ENDS	\$29.00	
10741	EQUIV. WINSLOW NO. B431U SIZE: 5/8" x 1 1/4" x 2 5/8" WITH A FRICTION POINT ON ONE END	\$33.00	
89458	EQUIV. WINSLOW NO. B38 SIZE: 5/8" x 1 1/4" x 1 7/8" WITH A FRICTION POINT ON ONE END	\$28.00	
10752	EQUIV. WINSLOW NO. D101 L1 SIZE: 3/4" SQ. x 4 1/2"	\$35.00	
11218	EQUIV. WINSLOW NO. A708 SIZE: 3/4" SQ. x 5 1/8"	\$36.00	
10750	EQUIV. WINSLOW NO. A954 SIZE: 3/4" SQ. x 5 1/2"	\$39.00	
10753	EQUIV. WINSLOW NO. D101 L2 SIZE: 3/4" SQ. x 6"	\$44.00	
10754	EQUIV. WINSLOW NO. D101 L3 SIZE: 3/4" SQ. x 6 1/2"	\$46.00	
10755	EQUIV. WINSLOW NO. D101 L4 SIZE: 1" SQ. x 8 3/8"	\$82.00	
89089	EQUIV. WINSLOW NO. A5483 SIZE: 1 15/16" x 3 5/8" x 6 3/8" CAST STEEL WITH BEARING INSERT PN 10754	\$115.00	

RL PART #	ROLLERS	SUGG. LIST	
108469	1" DIA x 3"	25.00	
108470	1 1/2" DIA x 3"	26.00	
108471	1 1/2" DIA x 4"	27.00	
108472	1 1/2" DIA x 6"	28.00	
108473	1 1/2" DIA x 8"	29.00	
108474	2" DIA x 8"	30.00	
108475	2" DIA x 11"	32.00	

# Types of Winslow Scales

TYPE P	SIDE ARM WITH 2 ROLLERS
TYPE P1	ECONOMY 45° CAST LEVER WITH 2 ROLLERS
TYPE P2	BUILT AFTER 1976 WITH 2 ROLLERS
TYPE S	PIT SCALE WITH 3 ROLLERS
TYPE S1	PIT SCALE, ROADWAY, WITH 3 ROLLERS
TYPE S2	PIT SCALE BUILT AFTER 1976 WITH 3 ROLLERS
TYPE CS	PV-CONTRACTOR WITH 2 ROLLERS
TYPE CS1	PV-CONTRACTOR 1972-1976 WITH 2 ROLLERS
TYPE CS2	PV-CONTRACTOR AFTER 1976 WITH 2 ROLLERS

# Winslow Kits

Truck Scale Kits

## Kit No. 89461

50 Ton, 4-Section, 40, 50 & 60 feet, Type CS-1 1976 - 5-10-83 with 6" Pivots

QTY	RL PART #	EQUIV. WINSLOW #	DESCRIPTION
16.....	10700 .....	D95 L3 .....	PIVOT
16.....	10753 .....	D101 L2 .....	BEARING, LOAD X FULCRUM 3/4" x 3/4" x 6"
4.....	10739 .....	A698 .....	PIVOT, M L TIP 1/2" x 1" x 2 1/4"
4.....	10743 .....	B15 .....	BEARING, LOWER M L TIP 5/8" x 1 1/4" x 2 3/8"
4.....	10740 .....	B12 .....	BEARING, UPPER 5/8" x 1 1/4" x 2 11/16"
4.....	10740 .....	B12 .....	BEARING, STAND 5/8" x 1 1/4" x 2 11/16"
8.....	10702 .....	D95 L1 .....	PIVOT, TORQUE TUBE 1/2" x 1" x 2 3/4"
1.....	89459 .....	B20 .....	PIVOT, TORQUE TUBE TIP 1/2" x 1" x 1 1/2"
1.....	89460 .....	B33 .....	BEARING, TORQUE TUBE TIP 1/2" x 1" x 1 5/8"

**\$1,950.00** Sugg. List

## Kit No. 89462

60 Ton, 4-Section, Type CS & CS1 1972-1976 with 6 1/2" Pivots

QTY	RL PART #	EQUIV. WINSLOW #	DESCRIPTION
16.....	10701 .....	D95 L4 .....	PIVOT, LOAD X FULCUM 1/2" x 1" x 6 9/16"
16.....	10754 .....	D101 L3 .....	*BEARING, LOAD X FULCRUM 3/4" x 3/4" x 6 1/2"
4.....	10739 .....	A698 .....	PIVOT, M L TIP 1/2" x 1" x 2 1/4"
4.....	10743 .....	B15 .....	BEARING, LOWER TIP CONN. 5/8" x 1 1/4" x 2 3/8"
4.....	10740 .....	B12 .....	BEARING, UPPER TIP CONN. 5/8" x 1 1/4" x 2 11/16"
4.....	10740 .....	B12 .....	BEARING, T TUBE STAND 5/8" x 1 1/4" x 2 11/16"
8.....	10702 .....	D95 L .....	PIVOT, TORQUE TUBE 1/2" x 1" x 2 3/4"
1.....	89459 .....	B20 .....	PIVOT, TORQUE TUBE TIP 1/2" x 1" x 1 1/2"
1.....	89460 .....	B33 .....	BEARING, TORQUE TUBE TIP 1/2" x 1" x 1 5/8"

**\$ 2,050.00** Sugg. List

## Kit No. 89463

50 x 60 Ton, 4-Section After June 1983  
Type P2 & CS 2

QTY	RL PART #	EQUIV. WINSLOW #	DESCRIPTION
16.....	10701 .....	D95 L4 .....	PIVOT, LOAD X FULCRUM 1/2" x 1" x 6 9/16"
16.....	89089 .....	A5483 .....	BEARING, LOAD X FULCRUM 2" x 3 5/8" x 6 3/8"
4.....	10739 .....	A698 .....	PIVOT, TIP 1/2" x 1" x 2 1/4"
8.....	10714 .....	D95 L15 .....	PIVOT, TORQUE TUBE 1/2" x 1" x 3 3/16"
4.....	10743 .....	B15 .....	BEARING, LOWER TIP CONN. 5/8" x 1 1/4" x 2 3/8"
4.....	10740 .....	E373 .....	BEARING, UPPER TIP CONN. 5/8" x 1" x 2 5/8"
4.....	10740 .....	E373 .....	BEARING, TORQUE TUBE STAND 5/8" x 1 1/4" x 2 5/8"
1.....	10734 .....	7859-A2E .....	PIVOT, TORQUE TUBE TIP 5/8" DIA x 3 1/8"
2.....	10742 .....	B646-3 .....	BEARING, TORQUE TUBE TIP 7/8" X 7/8" X 7/8"

**\$3,290.00** Sugg. List

\* CAST STEEL BEARING

# Winslow Kit

Truck Scale Kits

## Kit No. 89464

50 Ton, 4-Section, Type S, 1971-1976 with 6" Pivots

QTY	RL PART #	EQUIV. WINSLOW #	DESCRIPTION
16.....	10700.....	D95 L3.....	PIVOT, LOAD & FULCRUM 1/2" x 1" x 6 1/16"
16.....	10753.....	D101 L2.....	BEARING, LOAD X FULCRUM 3/4" x 3/4" x 6"
4.....	10739.....	A698.....	PIVOT, TIP 1/2" x 1" x 2 1/4"
4.....	10743.....	B15.....	BEARING, LOWER TIP 5/8" x 1 1/4" x 2 3/8"
4.....	89458.....	B38.....	BEARING, UPPER TIP CONN. 5/8" x 1 1/4" x 1 7/8"
4.....	11024.....	7859-A4E.....	PIVOT, ADJ
4.....	11023.....	7859-A5E.....	PIVOT, FIX
2.....	10742.....	B-646-3.....	BEARING, TIP 7/8" x 7/8" x 7/8"
1.....	10734.....	7859-A2E.....	PIVOT, TIP 5/8" DIA x 3 1/8"
4.....	89458.....	B38.....	BEARING, TORQUE TUBE STAND 5/8" X 1 1/4" X 1 7/8"

**\$2,250.00** Sugg. List

## Kit No. 89465

50 Ton, 4-Section, Type S1, 6" Pivots

QTY	RL PART #	EQUIV. WINSLOW #	DESCRIPTION
16.....	10700.....	D95L3.....	PIVOT, LOAD X FULCRUM 1/2" x 1" x 6 1/16"
16.....	10753.....	D101L2.....	BEARING, LOAD X FULCRUM 3/4" x 3/4" x 6"
4.....	10739.....	A698.....	PIVOT, TIP 1/2" x 1" x 2 1/4"
4.....	10743.....	B15.....	BEARING, LOWER TIP CONN. 5/8" x 1 1/4" x 2 3/8"
8.....	10702.....	D95 L1.....	PIVOT, TORQUE TUBE L & F 1/2" x 1" x 2 3/4"
4.....	10740.....	B12.....	BEARING, UPPER TIP CONN. 5/8" x 1 1/4" x 2 11/16"
4.....	10740.....	B12.....	BEARING, TORQUE TUBE STAND 5/8" x 1 1/4" x 2 11/16"
1.....	10734.....	7859-A2.....	PIVOT, TORQUE TUBE TIP 5/8" DIA x 3 1/8"
2.....	10742.....	B646-3.....	BEARING, TORQUE TUBE TIP 7/8" x 7/8" x 7/8"

**\$1,985.00** Sugg. List

MISCELLANEOUS

# Notes:

---

Lined area for notes, consisting of approximately 30 horizontal lines.

**MISCELLANEOUS**

# RICE LAKE WEIGHING

RICE LAKE WEIGHING

## Beam Scales

# Rice Lake Weighing

## RL1100 Portable Platform Scale

### RL1100 PORTABLE BEAM SCALE

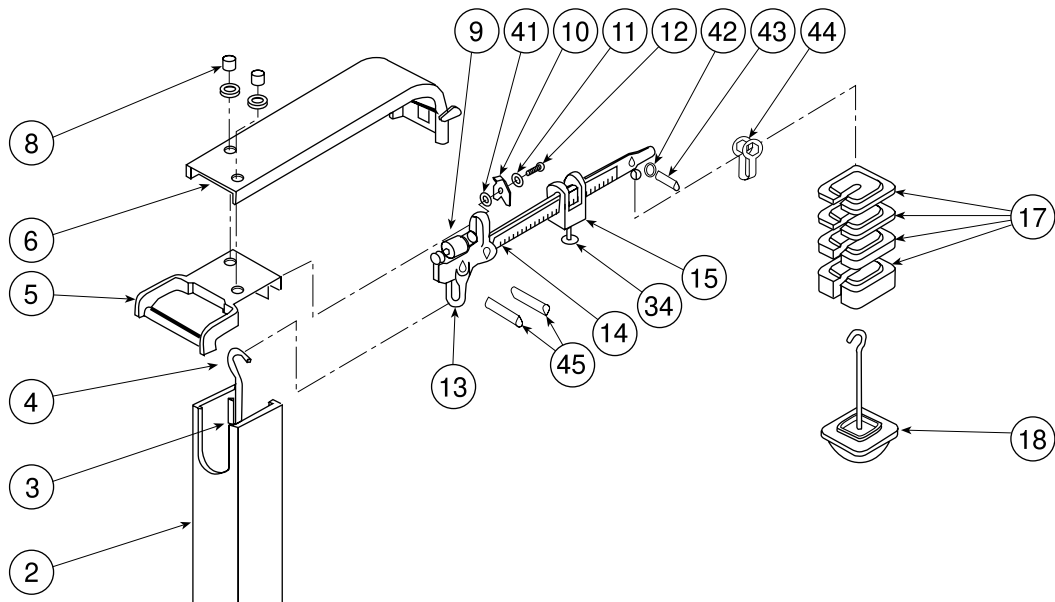
#### Beam and Column Assembly

(See Diagram RL1100-A)



REF #	PART #	DESCRIPTION	SUGGESTED LIST PRICE
2	22306	Pillar	\$7500
3	22307	Rod, pillar	20.00
4	22308	Rod, connecting	18.00
5	22309	Weight rack	44.00
6	22310	Beam cap assembly	67.00
8	22312	Cap nut (for beam cap)	2.50
9	22313	Back balance block assembly	26.00
10	22314	Clamp loop	8.00
11	15153	Washer, lock	1.50
12	14998	Screw, hex	1.50
13	22315	Loop assembly, beam/nose iron	26.00
14	22316	Single beam assembly w/pivots-avoirdupois	210.00
14	26677	Double beam assembly w/pivots-avoirdupois	285.00
14	26679	Single beam assembly w/pivots-metric	225.00
14	26678	Double beam assembly w/pivots-metric	285.00
15	22317	Poise (for PN#22316, for others please consult factory)	72.00
17	10166	Weight, slotted, 500 lb x 5 lb	45.00
17	10164	Weight, slotted, 200 lb x 2 lb	30.00
17	10162	Weight, slotted, 100 lb x 1 lb	29.00
18	22319	Counterpoise assembly (for RL1100 PN#19723)	58.00
18	10193	Counterpoise assembly (for RL1100 PN#26681)	58.00
18	49565	Counterpoise assembly (for RL1100 PN#26680)	58.00
18	10186	Counterpoise assembly (for RL1100 PN#26676)	58.00
34	22330	Thumbscrew, poise	14.00
41	22332	Spacer, clamp	3.00
42	N/A	Friction plate	Consult
43	F488P	Pivot, .235 x .312 x 1.125	8.00
44	F493	Loop, beam tip	13.00
45	F489P	Pivot, .283 x .427 x 2	10.00

RICE LAKE WEIGHING



RL1100-A

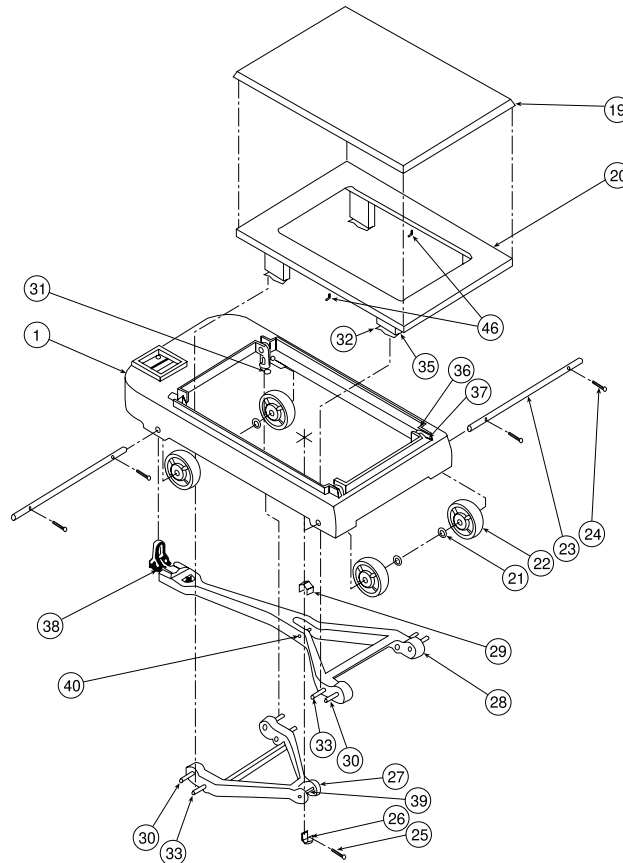
# Rice Lake Weighing

## RL1100 Portable Platform Scale

### RL1100 (Cont.) Platform Assembly

(See Diagram RL1100-B)

REF #	PART #	DESCRIPTION	SUGGESTED LIST PRICE
	22253	.....Operating manual.....	\$18.00
1	22305	.....Frame, base.....	Obsolete
19	22320	.....Cover, platform.....	75.00
20	22321	.....Stool, platform.....	Obsolete
22	22323	.....Wheel, fiber.....	26.00
23	22324	.....Axle.....	16.00
24 & 25	22325	.....Cotter pin.....	1.50
25, 26 & 29	71069	.....Link, upper & lower center, Asb.....	14.00
27	22327	.....Lever, short.....	145.00
28	22328	.....Lever, long.....	165.00
30	F452P	.....Pivot, fulcrum.....	17.00
31	F492	.....Loop assembly, long, with bearing.....	16.00
32	F496	.....V-bearing, platform.....	11.00
33	F452P	.....Pivot, load.....	17.00
34	22330	.....Thumbscrew, poise.....	14.00
35	F498	.....Shim, platform.....	4.00
36	F482	.....Loop assembly, short, with bearing.....	16.00
37	F495	.....Pin, corner.....	9.00
38	22331	.....Nose iron assembly.....	Obsolete
39 & 40	F487P	.....Pivot, center.....	13.00
46	D951	.....Retainer.....	9.00



RL1100-B



# Rice Lake Weighing

RL1100 Portable Platform Scale with IQ 390

REFERENCE NO.	RL PART #	QTY	DESCRIPTION	SUGG. LIST
1	17705	1	EYEBOLT, 1/4-28 NF x 1". SHANK	\$9.50
2	14636	2	JAM NUT, 1/4-20 NC HEX	\$0.20
3	15148	7	LOCK WASHER, 1/4". REGULAR	\$1.50
4	21431	1	LOAD CELL, RL20000-100LB	\$275.00
5	50606	1	THREADED ADAPTER, 1/4-20 NC LH 2 1/4 - 20 NF RH	\$5.00
6	50746	1	COUPLING NUT, 1/4-20 NC	\$12.00
7	50605	1	CARRIAGE BOLT, 1/4-20 NC x 2"	\$2.00
8	51885	1	MOUNTPLATE WELDMNT ASSEMBLY	\$89.00
9	35087	4	CAP SCREW, 1/4-20 NC x 1/2"	\$1.00
10	50902	1	IQ PLUS 390-DC INDICATOR	\$620.00
11	50608	1	BRACKET	\$37.00

RICE LAKE WEIGHING

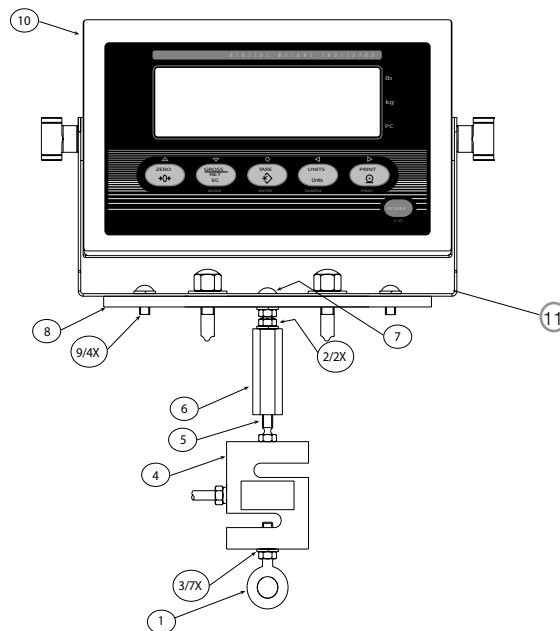
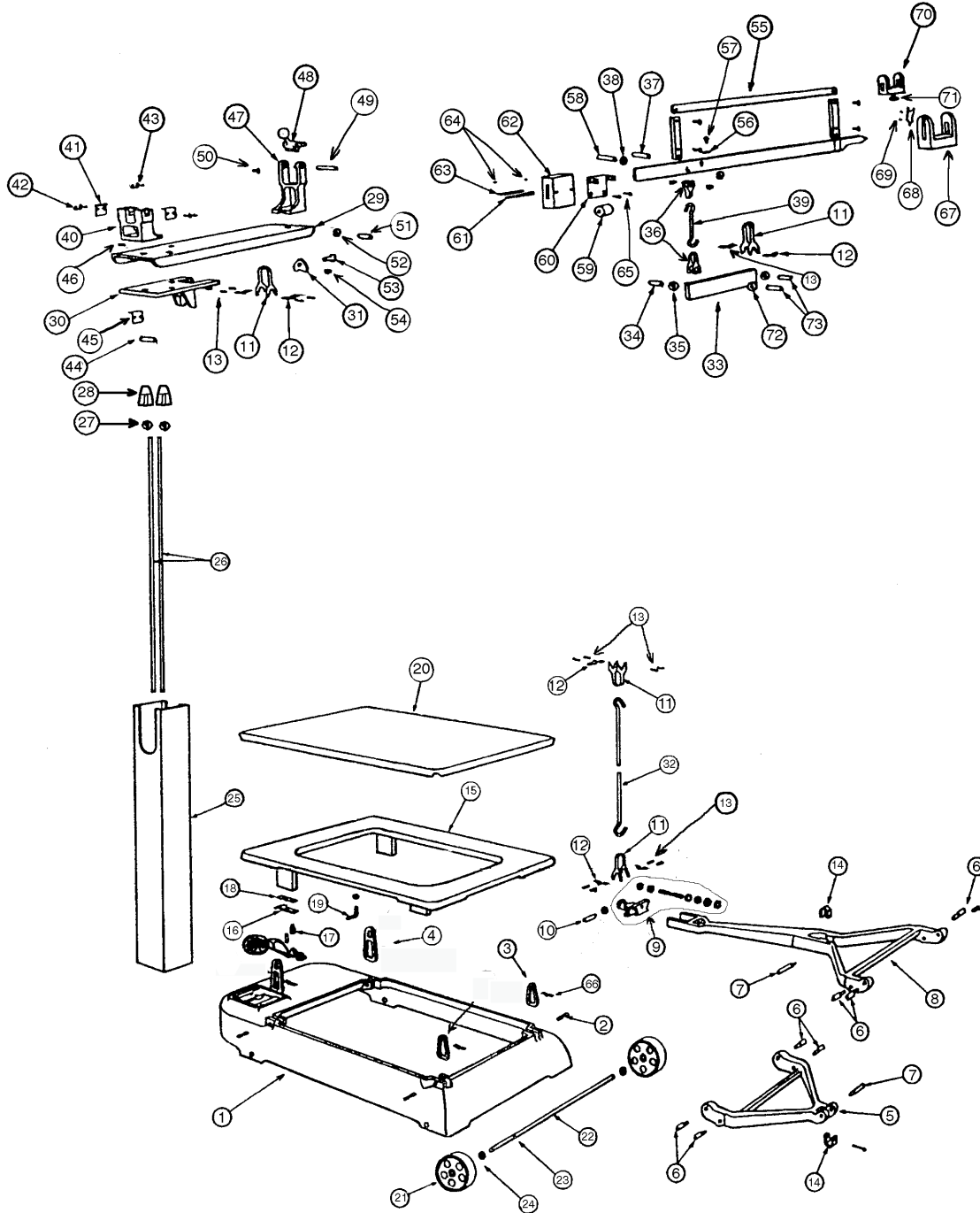


Figure 3-1. Diagram of Installation Kit 50573

# Rice Lake Weighing

F594-PLS Platform Beam Scale



Assembly Drawing

**RICE LAKE WEIGHING**

# Rice Lake Weighing

## F594-PLS Platform Beam Scale

REFERENCE NO.	RL PART #	QTY	DESCRIPTION	SUGG. LIST
1	22305	1	FRAME ASSEMBLY	Obsolete
2	F495	4	PIN, CORNER LOOP	\$9.00
3	F482	2	LOOP ASSEMBLY, FRONT CORNER	\$16.00
4	F492	2	LOOP ASSEMBLY, REAR CORNER	\$16.00
5	22327	1	LEVER ASSEMBLY, SHORT	\$145.00
6	F452P	8	PIVOT	\$17.00
7	F487P	2	PIVOT	\$13.00
8	22328	1	LEVER ASSEMBLY, LONG	\$165.00
9	22331	1	NOSE IRON ASSEMBLY W/ADJUSTABLE SCREW AND NUT	Obsolete
10	F489P	1	PIVOT	\$10.00
11	22315	3	LOOP	\$26.00
12	F494	6	BEARING	\$10.00
13	15242	12	ROLL PIN, 5/32 x 1/2	\$1.00
14	71069	1	CENTER CONNECTOR LINK ASSEMBLY (UPPER/LOWER/COTTER PIN, 3/16 x 1 1/4	\$14.00
15	22321	1	PLATFORM ASSEMBLY	Obsolete
16	F496	4	BEARING, PLATFORM ASSEMBLY	\$11.00
17	F497	4	BEARING STUD	\$7.00
18	F498	AR	PLATFORM SHIM	\$4.00
19	D951	2	HOOK	\$9.00
20	22320	1	PLATFORM COVER ASSEMBLY	\$75.00
21	22323	4	WHEEL, 4" DIA.	\$26.00
22	22324	2	AXLE	\$16.00
23	21985	4	WASHER, PLAIN HEAVY, 5/8"	\$2.00
24	15237	4	COTTER PIN, 1/8 x 1"	\$1.50
25	22306	1	PILLAR/COLUMN	\$75.00

**RICE LAKE WEIGHING**

# Rice Lake Weighing

## F594-PLS Platform Beam Scale

REFERENCE NO.	RL PART #	QTY	DESCRIPTION	SUGG. LIST
26	22307	2	PILLAR RODS	\$20.00
27	21938	2	WASHER, PLAIN, 3/8"	\$1.50
28	22071	2	ACORN NUT, 3/8" - 16 HEX	\$6.00
29	F594-11	1	TOP PLATE	\$75.00
30	F594-18	1	BEAM SUPPORT	\$68.00
31	22314	1	LOOP CLAMP	\$8.00
32	22308	1	STEEL YARD ROD	\$18.00
33	F594-15A	1	SHELF LEVER ASSEMBLY	\$145.00
34	F594-28	1	PIVOT	\$23.00
35	21925	2	ANTI-FRICTION PLATE	\$2.00
36	F493	2	LOOP ASSEMBLY	\$13.00
37	F594-29	1	PIVOT	\$23.00
38	21925	2	ANTI-FRICTION PLATE	\$2.00
39	F594-14	1	BEAM CONNECTOR LINK	\$18.00
40	F594-12	1	STAND, SUB-ASSEMBLY (BEARING ONLY F594-22)	\$95.00
41	F594-17	2	ANTI-FRICTION PLATE	\$19.00
42	22088	4	MACHINE SCREW, 8-32 x 3/8"	\$1.00
43	49788	1	HEX CAP SCREW, 5/16 - 18 x 1 1/4"	\$1.50
44	14647	1	HEX NUT, 5/16" - 18 x 1 1/4"	\$1.00
45	15153	1	LOCK WASHER, MEDIUM 5/16"	\$1.50
46	15248	2	GROOVE PIN, TYPE 4, 3/16 x 3/4"	\$1.00
47	F594-16	1	TRIG STAND	\$112.00
48	F594-13	1	TRIG	\$81.00
49	15272	1	ROLL PIN, 1/4 x 2"	\$2.00
50	14998	1	HEX CAP SCREW, 5/16" x - 18 x 1	\$1.50

**RICE LAKE WEIGHING**

# Rice Lake Weighing

## F594-PLS Platform Beam Scale

REFERENCE NO.	RL PART #	QTY	DESCRIPTION	SUGG. LIST
51	14647	1	HEX NUT, 5/16" - 18	\$1.00
52	15153	1	LOCK WASHER, MEDIUM 5/16"	\$1.50
53	14998	2	HEX CAP SCREW, 5/16" - 18 x 1	\$1.50
54	15153	1	LOCK WASHER , MEDIUM 5/16"	\$1.50
55	F594SA	1	BEAM ASSEMBLY	\$560.00
56	F594-9	1	POISE STOP	\$9.00
57	21999	1	MACHINE SCREW, 4 - 40 x 5/16"	\$1.00
58	F594-28	1	PIVOT	\$23.00
59	F594-7	1	BALANCE WEIGHT	\$58.00
60	F594-5	1	BRACKET WEIGHT	\$34.00
61	F594-6	1	STEM	\$14.00
62	F594-10	1	BACK BALANCE WEIGHT	\$46.00
63	F594-8	2	GUIDE ROD	\$11.00
64	14620	2	HEX NUT, #4-40	\$1.00
65	22088	1	MACHINE SCREW, PAN HEAD, 8/32"	\$1.00
66	F575	1	BEARING	\$9.00
67	F594-3	1	MAIN POISE ASSEMBLY	\$140.00
68	F594-23	2	POISE DOG	\$14.00
69	14909	2	SCREW, #5 - 40 x 3/8"	\$1.00
70	F594-4	1	FRACTIONAL POISE ASSEMBLY	\$78.00
71	F594-24	1	THUMBSCREW	\$14.00
72	22302	4	ANT-FRICTION PLATE	\$2.00
73	F594-27	2	PIVOT	\$23.00

# RICE LAKE WEIGHING

## Pipe Lever Scales

RICE LAKE WEIGHING

# Rice Lake Weighing

Pipe Lever Scale Type I, 25K/30K



REF#	PART #	DESCRIPTION	PRICE
1	40174	Bolt .....	\$2.00
2	15179	Washer.....	1.50
3	14697	Lock nut.....	1.50
4	39990	Bearing.....	70.00
5	39991	Spool .....	65.00
6	39993	Trunnion Pin .....	130.00
7	0525-0056	Pivot.....	39.00
8	39988	Loop assembly.....	240.00
9	39101	Drive screw .....	1.50
10	39989	Loop side plate .....	35.00
11	26344	Cap screw.....	3.00
12	15177	Washer.....	1.50
13	40181	Lock nut .....	1.50
14	39975	Nose iron assembly, right .....	170.00
15	39969	Shackle assembly, nose iron connection.....	165.00
16	39972	Nose iron assembly, left.....	170.00
17	39963	Shackle support block, center connection .....	54.00
18	CM764	Bearing with friction plates .....	29.00
19	39971	Large shackle loop, center connection.....	91.00
20	15244	Cotter pin .....	1.50
21	22102	Clevis pin.....	3.00
22	39970	Small shackle loop, center connection.....	91.00
23	17899	ITCM mount, mild steel without load cell.....	260.00
24	21443	Load cell, RL20000 - 5k .....	440.00
25	*39978	Girder chair .....	340.00
26	*39982	Fulcrum stand assembly .....	295.00

\* The standard part number is shown; however, this part can be customized. Please specify any customized parts when ordering replacements.

27 42499 Hold-down chain option..... 165.00

**Components of Part # 42499**

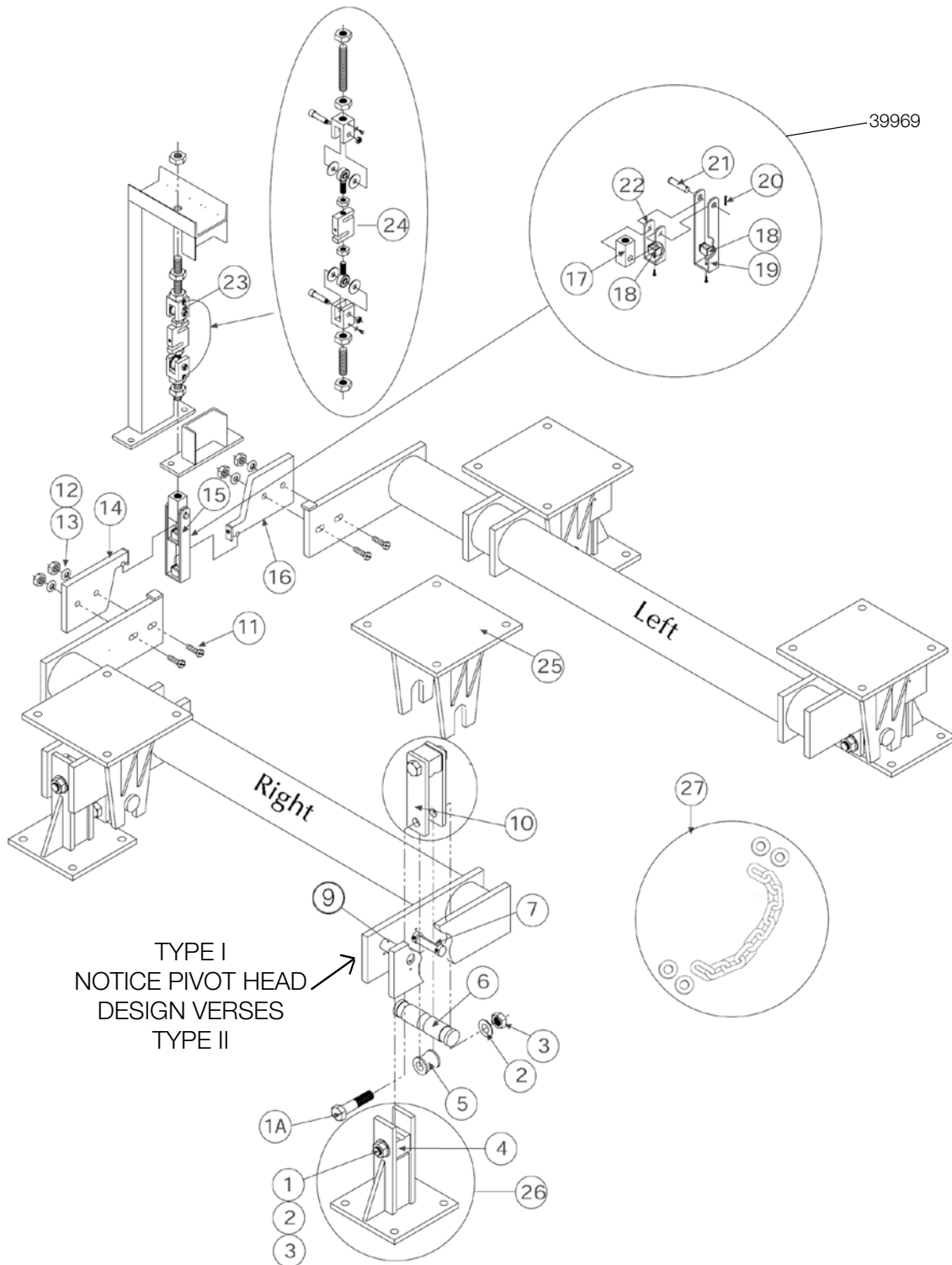
15179	Washer, plain 3/4 Type A.....	1.50
42095	Chain, 5/8 Grade 40 .....	35.00

(See Diagram Pipe Lever Scale Type I)

**RICE LAKE WEIGHING**

# Rice Lake Weighing

Pipe Lever Scale Type I, 25K/30K



Pipe Lever Scale Type I

**RICE LAKE WEIGHING**



# Rice Lake Weighing

## Pipe Lever Scale Type I, 40K/50K

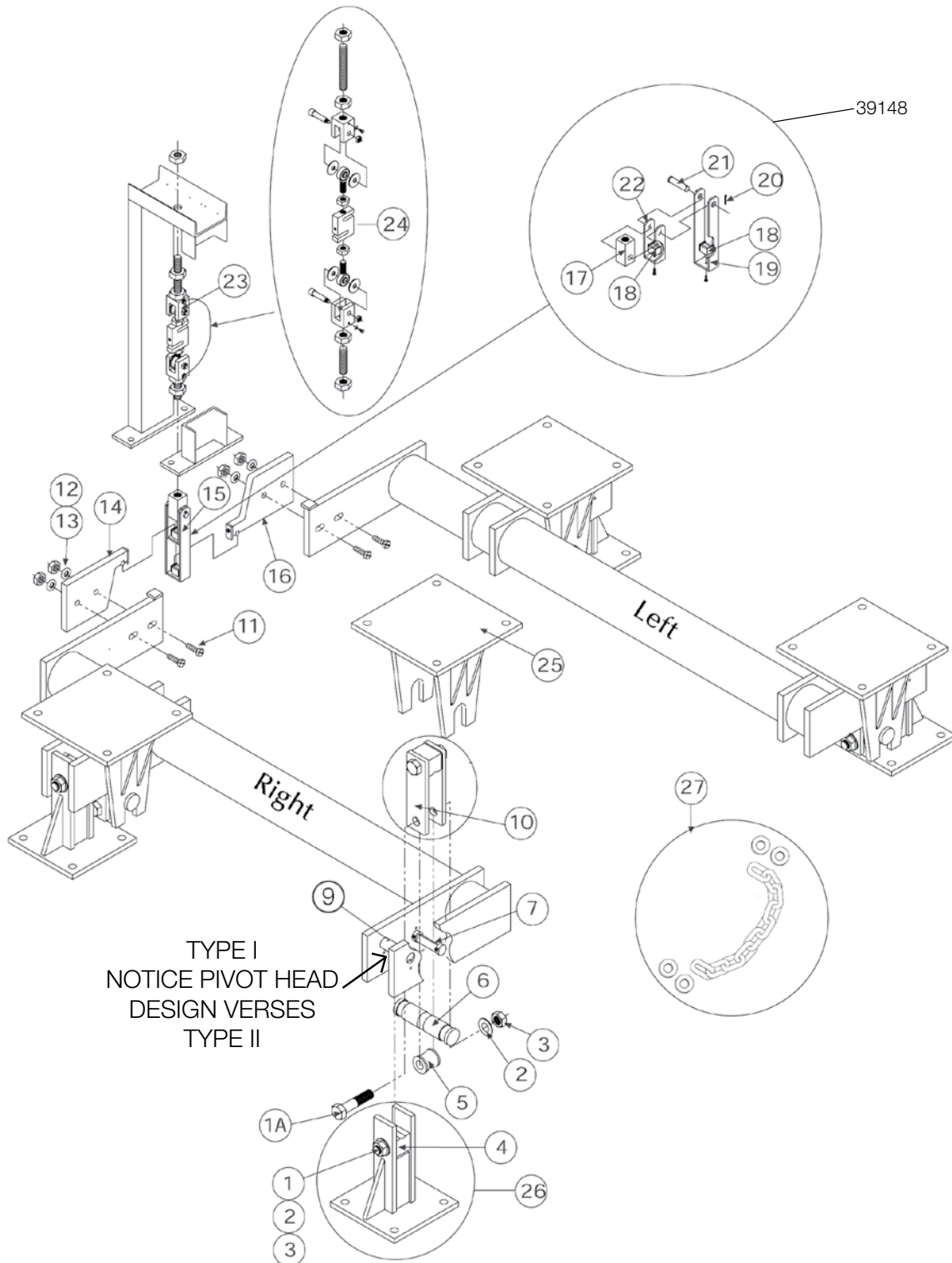


**RICE LAKE WEIGHING**

REF#	PART #	DESCRIPTION	PRICE
<b>Components of Part #39133</b>			<b>\$260.00</b>
1	39164	Bolt .....	15.00
2	15190	Washer.....	1.50
3	22457	Lock nut.....	6.00
4	39134	Bearing.....	83.00
5	39135	Spool .....	70.00
6	39131	Trunnion Pin .....	145.00
7	0525-0070	Pivot.....	41.00
8	39133	Loop assembly.....	260.00
9	39101	Drive screw .....	1.50
10	39132	Loop side plate .....	45.00
11	15097	Cap screw.....	2.20
12	15179	Washer.....	1.50
13	14697	Lock nut .....	1.50
14	39119	Nose iron assembly, right .....	170.00
15	39148	Shackle assembly, nose iron connection.....	185.00
16	39116	Nose iron assembly, left.....	170.00
17	39143	Shackle support block, center connection .....	85.00
18	39146	Bearing with friction plates .....	40.00
19	39144	Large shackle loop, center connection.....	80.00
20	39186	Cotter pin .....	1.50
21	39185	Clevis pin.....	14.00
22	39145	Small shackle loop, center connection .....	52.00
23	17900	ITCM mount, mild steel without load cell.....	260.00
24	21444	Load cell, RL20000 - 10,000lb .....	440.00
25	*39136	Girder chair .....	340.00
26	39128	Fulcrum stand assembly .....	295.00
* The standard part number is shown; however, this part can be customized. Please specify any customized parts when ordering replacements.			
<b>Components of Part #42499</b>			<b>240.00</b>
27	42500	Hold-down chain option.....	240.00
<b>Components of Part #42500</b>			
	22138	Washer, plain 1 Type A.....	0.50
	42098	Chain, 3/4 Grade 40 .....	75.00
<i>(See Diagram Pipe Lever Scale Type I)</i>			

# Rice Lake Weighing

Pipe Lever Scale Type I, 40K/50K



**RICE LAKE WEIGHING**

Pipe Lever Scale Type I

# Rice Lake Weighing

## Pipe Lever Scale Type II 25K, Mild Steel

### MILD STEEL SCALE PART NUMBER, SIZE (INCHES) AND COMPONENT PART NUMBER

MODEL #	PLS25-3	PLS25-1	PLS25-2	PLS25-4	PLS25-5	PLS25-6	PLS7272-25		
PART #	29587	29586	29588	29589	35008	35009	40409		
DIMENSIONS	62.5/8 x 62.5/8	60.1/2 x 66	66.1/2 x 91	64 x 64	62 x 92	62 x 105	72 x 72		
REF#	DESCRIPTION	QTY							
1	Main pipe lever, left	1	35005	35001	35003	35007	35011	35013	40473
2	Main pipe lever, right	1	35004	35000	35002	35006	35010	35012	40472
3	Girder chair	4	35045	35058	35045	35051	35051	35051	40478
4*	Bearing	8	CM755	CM755	CM755	CM755	CM755	CM755	CM755
5	Pin, trunnion	4	CM773	CM773	CM773	CM773	CM773	CM773	CM773
6*	Pin, cotter	16	15232	15232	15232	15232	15232	15232	15232
7*	Pin, clevis	8	15295	15295	15295	15295	15295	15295	15295
8*	Bolt, hex	8	14739	14739	14739	14739	14739	14739	14739
9*	Washer, plain STD	8	21938	21938	21938	21938	21938	21938	21938
10*	Side plate, loop	8	CM729-1	CM729-1	CM729-1	CM729-1	CM729-1	CM729-1	CM729-1
11*	Spool	4	CM729-2	CM729-2	CM729-2	CM729-2	CM729-2	CM729-2	CM729-2
12	Pivot	8	65351	65351	65351	65351	65351	65351	65351
13	Fulcrum stand, assembly, clevis pin	4	35055	35055	35055	35054	35039	35054	40483
16	Nose iron, left	1	35049	35049	35049	N107	N107	N107	40469
17	Nose iron, right	1	35048	35048	35048	N106	N106	N106	40468
18	Pivot	2	CM761P	CM761P	CM761P	CM761P	CM761P	CM761P	CM761P
19	Screw cap	4	22096	22096	22096	22096	22096	22096	22096
20	Washer plain	4	15173	15173	15173	15173	15173	15173	15173
21	Nut, flexloc	4	22076	22076	22076	22076	22076	22076	22076
22	Shackle loop, large	1	CM791-1	CM791-1	CM791-1	CM791-1	CM791-1	CM791-1	CM791-1
23	Shackle support block	1	N109	N109	N109	N109	N109	N109	N109
24	Shackle loop, small	1	CM791-2	CM791-2	CM791-2	CM791-2	CM791-2	CM791-2	CM791-2
25	Bearing assembly	2	CM764	CM764	CM764	CM764	CM764	CM764	CM764
26	Pin, clevis	1	22102	22102	22102	22102	22102	22102	22102
27	Pin, cotter	1	15244	15244	15244	15244	15244	15244	15244
28	Screw, machine	2	22005	22005	22005	22005	22005	22005	22005
29	Load cell, SBM RL 20000 - 3k	1	21442	21442	21442	21442	21442	21442	21442
30	Ground strap	1	17779	17779	17779	17779	17779	17779	17779
31	Rod end	2	17740	17740	17740	17740	17740	17740	17740
32	Clevis assembly	2	17788	17788	17788	17788	17788	17788	17788
33	Shackle support rod	1	35084	35084	35084	N111	N111	N111	40471
34	Nut, jam	3	14676	14676	14676	14676	14676	14676	14676
35	Adapter, threaded	1	33571	33571	33571	33571	33571	33571	33571
36	Load cell support stand	1	--	--	35036	35059	35059	35059	40475

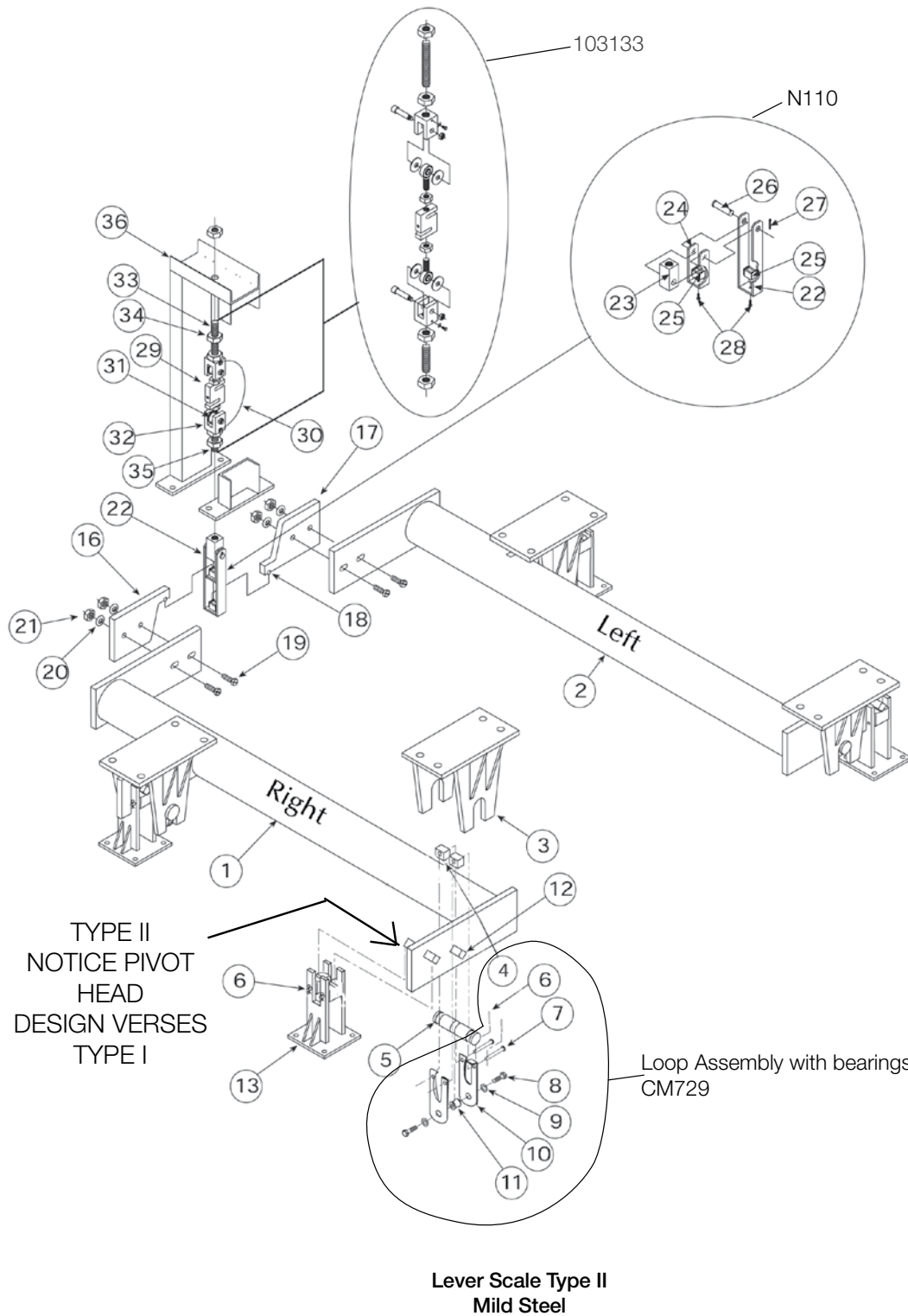
\* CM729 with bearings

(See Diagram Lever Scale Type II-Mild Steel)

RICE LAKE WEIGHING

# Rice Lake Weighing

Pipe Lever Scale Type II 25K, Mild Steel



**RICE LAKE WEIGHING**

# Rice Lake Weighing

## Pipe Lever Scale Type II 25K, Stainless Steel

### STAINLESS STEEL SCALE PART NUMBER, SIZE (INCHES) AND COMPONENT PART NUMBER

MODEL #	PLS25-3SST	PLS25-1SST	PLS25-2SST	PLS25-4SST	PLS25-5SST	PLS25-6SST
<b>PART #</b>	46264	46265	46266	50172	50173	50174
<b>DIMENSIONS</b>	625/8 x 625/8	601/2 x 66	661/2 x 91	64 x 64	62 x 92	62 x 105

REF#	DESCRIPTION	QTY						
1	Main pipe lever, left	1	46268	46270	46272	50198	50195	50197
2	Main pipe lever, right	1	46267	46269	46271	50175	50194	50193
3	Girder chair	4	46308	46308	46308	50178	50178	50178
4*	Bearing	8	46323	46323	46323	46323	46323	46323
5	Pin, trunnion	4	46302	46302	46302	46302	46302	46302
6*	Pin, cotter	16	15233	15233	15233	15233	15233	15233
7*	Pin, clevis	8	47992	47992	47992	47992	47992	47992
8*	Screw cap	8	21949	21949	21949	21949	21949	21949
9*	Washer plain STD	8	15161	15161	15161	15161	15161	15161
10*	Side plate, loop	8	46300	46300	46300	46300	46300	46300
11*	Spool	4	46315	46315	46315	50182	50182	50182
12**	Pivot	8	65351	65351	65351	65351	65351	65351
13	Fulcrum stand, assembly	4	46315	46315	46315	50182	50182	50182
16	Nose iron, left	1	46303	46303	46303	46303	46303	46303
17	Nose iron, right	1	46304	46304	46304	46304	46304	46304
18	Pivot	2	46307	46307	46307	46307	46307	46307
19	Screw cap	4	38210	38210	38210	38210	38210	38210
20	Washer plain	4	15175	15175	15175	15175	15175	15175
21	Nut, lock	4	14666	14666	14666	14666	14666	14666
22	Shackle loop, large	1	46289	46289	46289	46289	46289	46289
23	Shackle support block	1	46295	46295	46295	46295	46295	46295
24	Shackle loop, small	1	46292	46292	46292	46292	46292	46292
25	Bearing assembly	2	46296	46296	46296	46296	46296	46296
26	Pin, clevis	1	47994	47994	47994	47994	47994	47994
27	Pin, cotter	1	47993	47993	47993	47993	47993	47993
28	Screw, machine	2	47995	47995	47995	47995	47995	47995
29	Load cell, RL 20000 - 3k	1	21442	21442	21442	21442	21442	21442
30	Ground strap	1	17779	17779	17779	17779	17779	17779
31	Rod end	2	33507	33507	33507	33507	33507	33507
32	Clevis assembly	2	33639	33639	33639	33639	33639	33639
33	Shackle support rod	1	46324	46324	46324	46324	46324	46324
34	Nut, jam	3	14680	14680	14680	14680	14680	14680
35	Adapter, threaded	1	33571	33571	33571	33571	33571	33571
36	Load cell stand	--	--	--	--	--	--	--

\*46299 with bearings

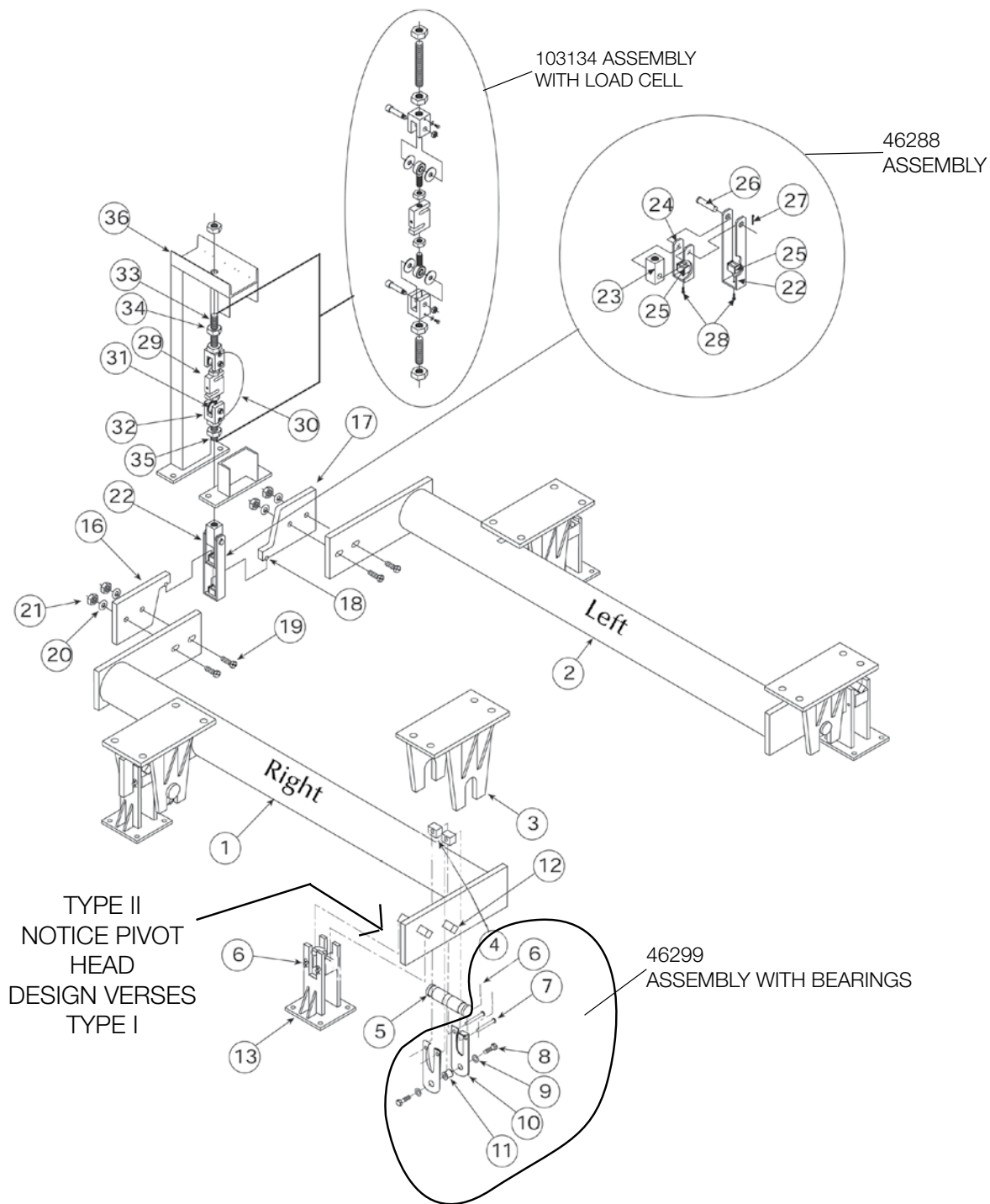
\*\* Old SST scales used a round pivot, 46285 and wedge 46286

(See Diagram Lever Scale Type II-Stainless Steel)

**RICE LAKE WEIGHING**

# Rice Lake Weighing

Pipe Lever Scale Type II 25K, Stainless Steel



Lever Scale Type II  
Stainless Steel

**RICE LAKE WEIGHING**

# Rice Lake Weighing

## Chairs/Stands/Trunnions & Bearings

**RICE LAKE WEIGHING**

<b>PART #</b>	<b>DESCRIPTION</b>	<b>PRICE</b>
CM755	Bearing, 1-3/8 x 15/16.....	\$38.00
CM773	Trunnion .....	64.00
CM783	Fulcrum stand .....	145.00
F731	Bearing.....	27.00
35045	Girder chair, 6 1/2 x 10.....	185.00
35051	Girder chair, 7 3/4 x 7 3/4 .....	185.00
35054	Stand, fulcrum 7 3/4 x 7 3/4 .....	185.00
35055	Stand, fulcrum 6 x 6 base.....	185.00
35058	Girder chair, 6 x 7 3/4 base.....	185.00
39128	Fulcrum stand assembly, 40K.....	295.00
39131	Pin, trunnion 2 3/8 diameter.....	145.00
39134	Bearing, 2 5/8 x 2 5/8 x 3 1/4 .....	83.00
39136	Girder chair, 40k and 50k.....	340.00
39523	Pin, trunnion 7/8 diameter.....	70.00
39524	Fulcrum stand assembly, 5k.....	295.00
39529	Girder chair, 5k pipe .....	340.00
39978	Girder chair, 20k and 25k.....	340.00
39982	Fulcrum stand assembly, 20k.....	295.00
39990	Bearing, 1 3/4 x 2 x 2 1/2 .....	70.00
39993	Pin, trunnion 1 5/8 diameter.....	130.00
40449	Girder chair, 10k pipe .....	340.00
40452	Fulcrum stand assembly, 10k.....	295.00
40460	Bearing 1 3/16 x 1 1/4 .....	60.00
40461	Pin, trunnion 1 1/8 diameter .....	90.00
40478	Girder chair, 8 x 8 base .....	60.00
46302	Pin, trunnion 1 1/4 diameter.....	90.00
46308	Girder chair, 25k SST pipe .....	295.00
46315	Fulcrum stand assembly, 25k.....	195.00
50178	Girder chair, 7 3/4 x 7 3/4 .....	295.00
50182	Stand, fulcrum 7 3/4 x 7 3/4 .....	290.00
101601	Fulcrum stand assembly, 60k.....	325.00



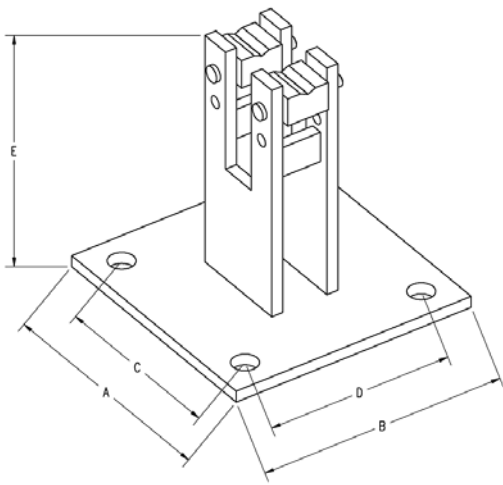


# Rice Lake Weighing

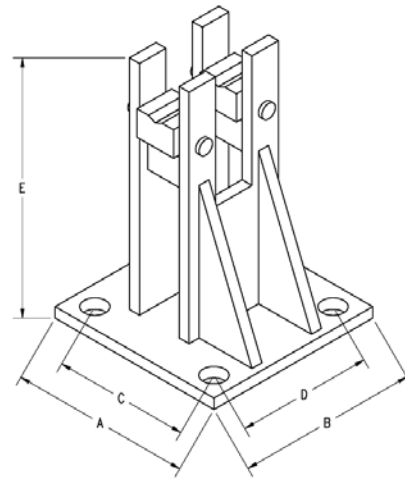
## Pipe Lever Stands

PN	Capacity	Style	Material	A	B	C	D	E	Bearing PN
CM783	25K	A	Steel	8	8	8 1/8	6	6	CM755
35055	25K	B	Steel	6	6	4 1/2	4 1/2	8 5/8	CM755
46315	25K	B	SST	6	6	4 1/2	4 1/2	8 5/8	46323
35054	25K	B	Steel	7 3/4	7 3/4	4/6	6	8 1/8	CM755
50040	25K	B	Steel	6	7 3/4	6	4 1/2	8 1/8	CM755
50182	25K	B	SST	7 3/4	7 3/4	4 1/2	6	8 1/8	46323
39524	5K	C	Steel	5	5	3 1/2	3 1/2	5	F731
40452	10K	C	Steel	6	6	4 1/2	4 1/2	6 3/4	40460
39982	20K/25K/30K	C	Steel	9	9	6 1/2	6 1/2	11 1/8	39990
39128	40K/50K	C	Steel	12	12	9 1/4	9 1/4	14 3/4	39134
101601	60K	C	Steel	12	12	7 1/2	5	14 3/4	39134
115797	25K/30K	D	Steel	6	6	-	-	6 17/32	CM755

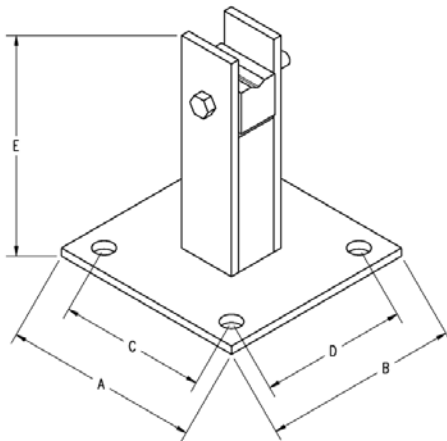
RICE LAKE WEIGHING



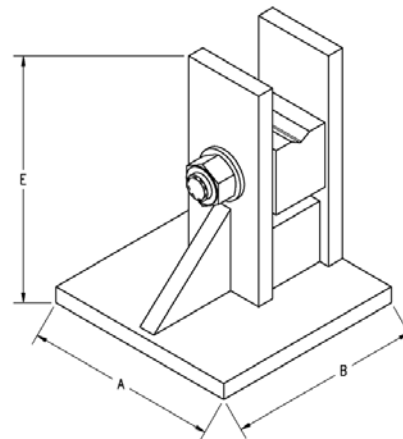
STYLE A



STYLE B



STYLE C

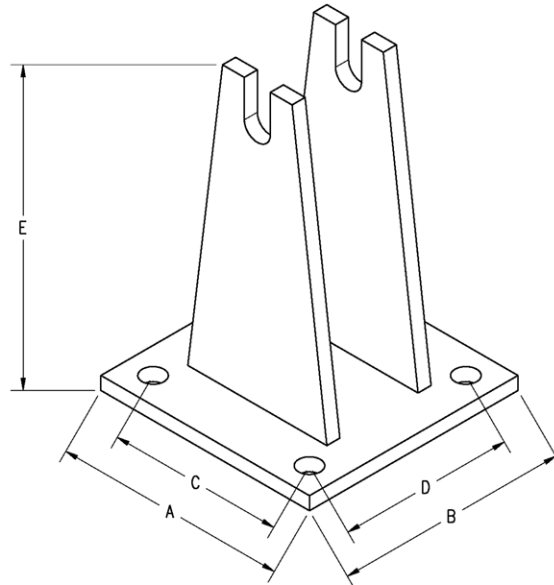


STYLE D

# Rice Lake Weighing

## Girder Chairs

PN	Capacity	Material	A	B	C	D	E	Trunnion PN
CM776	25K	Steel	7 3/4	7 3/4	4/6	6	10 1/2	CM773
35051	25K	Steel	7 3/4	7 3/4	4/6	6	9 1/2	CM773
40478	25K	SST	8	8	6	6	9 1/2	46302
50178	25K	SST	7 3/4	7 3/4	4/6	6	9 1/2	46302
35045	25K	Steel	10	6 1/2	7 1/2	3	9 1/2	CM773
46308	25K	SST	10	6 1/2	7 1/2	3	9 1/2	46302
35058	25K	Steel	6	7 3/4	-	5 3/4	9 1/2	CM773
39529	5K	Steel	7	5 1/2	5 1/2	5 1/2	6 1/4	39523
40449	10K	Steel	7 1/2	7 1/2	6	6	6 7/8	40461
39978	25K/30K	Steel	12	12	9 1/2	9 1/2	11 1/8	39993
Sp	40K	Steel	12	16	6 1/2	11	15 1/8	39131
39136	40K/50K	Steel	16	16	13	13	15 1/8	39131



**RICE LAKE WEIGHING**



# RICE LAKE WEIGHING

## Hopper Scale Kits for Type I & II

RICE LAKE WEIGHING

# Pivot and Bearing Kit Type 1

## Kit No. 154148

5K Basic Kit

QTY	RL PART #	DESCRIPTION
-----	-----------	-------------

8.....	T195P.....	PIVOT, LOAD AND FULCRUM
8.....	F731.....	BEARING, LOAD AND FULCRUM
2.....	CM761P.....	PIVOT, TIP
2.....	CM764.....	BEARING, TIP

**\$674.00** Sugg. List / XX lb Ship Wt.

## Kit No. 154150

5K Kit With Complete Assemblies

QTY	RL PART #	DESCRIPTION
-----	-----------	-------------

8.....	T195P.....	PIVOT, LOAD AND FULCRUM
4.....	F731.....	BEARING, FULCRUM
4.....	39549.....	LOOP ASSEMBLY WITH BEARING
1.....	N110.....	TIP CONNECTION
1.....	35048.....	NOSE IRON, RIGHT
1.....	35049.....	NOSE IRON, LEFT
4.....	39523.....	TRUNNION PINS

**\$1,614.00** Sugg. List / XX lb Ship Wt.

## Kit No. 154151

10K Basic Kit

QTY	RL PART #	DESCRIPTION
-----	-----------	-------------

8.....	T197P.....	PIVOT, LOAD AND FULCRUM
8.....	40460.....	BEARING, LOAD AND FULCRUM
2.....	CM7618.....	PIVOT, TIP
2.....	CM764.....	BEARING, TIP

**\$970.00** Sugg. List / 77 lb Ship Wt.

RISE LAKE WEIGHING

# Pivot and Bearing Kit Type 1

## Kit No. 154152

10K Kit With Complete Assemblies

QTY	RL PART #	DESCRIPTION
8.....	T195P.....	PIVOT, LOAD AND FULCRUM
4.....	40460.....	BEARING, LOAD AND FULCRUM
4.....	40457.....	LOOP ASSEMBLY, LOAD
1.....	35048.....	NOSE IRON, RIGHT
1.....	35049.....	NOSE IRON, LEFT
1.....	N110.....	SHACKLE ASSEMBLY, NOSE IRON
4.....	40461.....	TRUNNION PINS

**\$2,186.00** Sugg. List / XX lb Ship Wt.

## Kit No. 154153

25K and 30K Basic Kit

QTY	RL PART #	DESCRIPTION
8.....	0525-0056.....	PIVOT, LOAD AND FULCRUM
8.....	39990.....	BEARING, LOAD AND FULCRUM
2.....	CM761P.....	PIVOT, NOSE IRON
2.....	CM764.....	BEARING, TIP CONNECTION

**\$994.00** Sugg. List / XX lb Ship Wt.

## Kit No. 154154

25K & 30K Kit With Complete Assemblies

QTY	RL PART #	DESCRIPTION
8.....	0525-0056.....	PIVOT, LOAD AND FULCRUM
4.....	39990.....	BEARING, FULCRUM
4.....	39988.....	LOOP ASSEMBLY, LOAD
1.....	39975.....	NOSE IRON, RIGHT
1.....	39972.....	NOSE IRON, LEFT
1.....	39969.....	SHACKLE ASSEMBLY
4.....	39993.....	TRUNNION

**\$2,593.00** Sugg. List / XX lb Ship Wt.

RICE LAKE WEIGHING

# Pivot and Bearing Kit Type 1

---

## Kit No. 154156

40K & 50K Basic Kit

QTY	RL PART #	DESCRIPTION
-----	-----------	-------------

---

8.....	0525-0070.....	PIVOT, LOAD AND FULCRUM
8.....	39134.....	BEARING, LOAD AND FULCRUM
2.....	0525-0059.....	PIVOT, TIP
2.....	39146.....	BEARING, TIP

**\$1,136.00** Sugg. List / XX lb Ship Wt.

---

## Kit No. 154155

40K & 59K Kit With Complete Assemblies

QTY	RL PART #	DESCRIPTION
-----	-----------	-------------

---

8.....	0525-0070.....	PIVOT, LOAD AND FULCRUM
4.....	39134.....	BEARING, FULCRUM
4.....	39133.....	LOOP ASSEMBLY, WITH BEARINGS
1.....	39148.....	TIP CONNECTIONS
1.....	39116.....	NOSE IRON, LEFT
1.....	39119.....	NOSE IRON, RIGHT
4.....	39131.....	TRUNNION

**\$3,368.00** Sugg. List / XX lb Ship Wt.

RICE LAKE WEIGHING

# Rice Lake Weighing

Type II Hopper Scale Repair Kits

## Kit No. 108647 Tool Steel Scales

This is a repair kit for models: PLS-25-1, PLS-25-2, PLS-25-3, PLS-25-4, PLS-25-5, PLS-25-6 and PLS-7272-25

QTY	RL PART #	DESCRIPTION
8.....	65351 .....	PIVOT, LOAD & FULCRUM
4.....	CM729 .....	LOOPS, LOAD
8.....	CM755 .....	BEARING, FULCRUM
1.....	N110 .....	TIP CONNECTION
2.....	CM761P .....	PIVOTS, TIP
8.....	15297 .....	PIN, STAND BEARING
4.....	15232 .....	PIN, COTTER
4.....	CM773 .....	TRUNNION

**\$1,508.00** Sugg. List / 33 lb Ship Wt.

## Kit No. 108648 Stainless Steel Scales

This is a repair kit for models: PLS-25-1SST, PLS-25-2SST, PLS-25-3SST, PLS-25-4SST, PLS-25-5SST and PLS-25-6SST

QTY	RL PART #	DESCRIPTION
*8 .....	65351 .....	PIVOT, LOAD & FULCRUM
4.....	46299 .....	LOOP, LOAD
1.....	46288 .....	CENTER CONNECTION
2.....	46307 .....	PIVOT, TIP
8.....	46323 .....	BEARING, STAND
4.....	46302 .....	TRUNNION
8.....	47992 .....	PIN, STAND BEARING
8.....	15233 .....	COTTER KEY

**\$2,229.00** Sugg. List / 33 lb Ship Wt.

\* 65351 is for new style scales with 3/4" square pivots. Old style uses round pivot  
PN 46285 x wedge 46286. Page 351

RICE LAKE WEIGHING





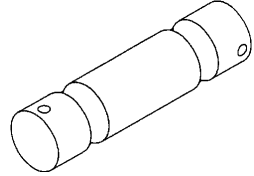
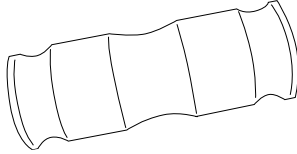
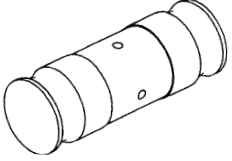
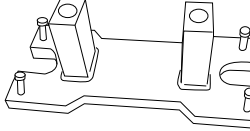
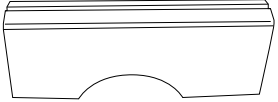
# RICE LAKE/ POWELL

RICE LAKE/POWELL

# Individual Powell Scale Parts

(For scales built in Jasper, AL facility)

32.5 Ton/Sectional capacity, unless otherwise indicated

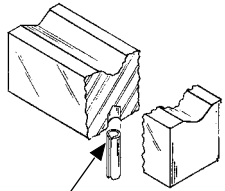
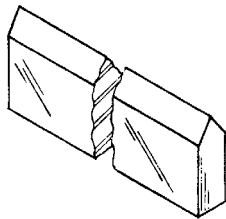
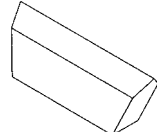
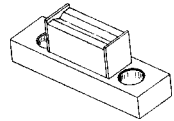
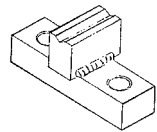
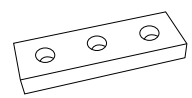
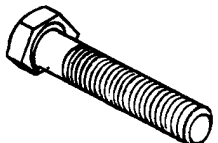
RL PART #	DESCRIPTION	SUGG. LIST	
P705	EQUIV. POWELL NO. 3104 SIZE: 2" DIA. x 8 3/8" TRUNNION MECHANICAL & ELECTRONIC	\$135.00	
P706	EQUIV. POWELL NO. 3303 SIZE: 2" DIA. x 5 5/8" UPPER LOAD PIN FOR 60K ELECTRONIC MOUNT	\$105.00	
P707	EQUIV. POWELL NO. 3103 SIZE: 2" DIA. x 5 5/8" UPPER LOAD PIN MECHANICAL SCALES	\$109.00	
90259	EQUIV. POWELL NO. SIZE: 8" x 18" BASE x 6 1/4" HIGH LOAD CELL STAND 60K FOR ET MODELS	\$310.00	
90258	EQUIV. POWELL NO. SIZE: 8" x 18" BASE 6 1/2" HIGH LOAD CELL STAND 75K FOR ET MODELS	\$310.00	
71043	EQUIV. POWELL NO. 3102 SIZE: 2" x 2" x 5" BLOCK, SADDLE FITS P707 PIN USE BEARING H624 ROLL PIN PN 71043, 3/16" DIA x 1"	\$91.00	

**RICE LAKE/POWELL**

# Individual Powell Scale Parts

(For scales built in Jasper, AL facility)

32.5 Ton/Sectional capacity, unless otherwise indicated

RL PART #	DESCRIPTION	SUGG. LIST	
H624	EQUIV. POWELL NO. 3106 SIZE: 1" x 1" x 6 1/2" BEARINGS	\$47.00	 <p>Part No. 15280</p>
H691	EQUIV. POWELL NO. 3108 SIZE: 1" x 1" x 4" BEARINGS	\$35.00	
P716P	EQUIV. POWELL NO. 3105 SIZE: 1/2" x 1 1/8" x 6 1/2"	\$38.00	
H655P	EQUIV. POWELL NO. 3107 SIZE: 1/2" x 1 1/8" x 4" PIVOTS	\$35.00	
10797	EQUIV. POWELL NO. 3109 SIZE: 1/2" x 1 1/8" x 2 5/8" PIVOT, TIP	\$32.00	
P701	EQUIV. POWELL NO. 3110 SIZE: 2" x 1 7/8" x 6" LOWER TIP CONNECTION PARALLEL STRAP MAIN LEVER & TRANS LEVER SHACKLES	\$59.00	
P702	EQUIV. POWELL NO. 3111 SIZE: 2 3/4" x 1 3/4" x 6" UPPER TIP CONNECTION HORIZONTAL STRAP MAIN LEVER SHACKLES	\$56.00	
90163	EQUIV. POWELL NO. 3119 SIZE: 2" x 3/4" x 6" THREE HOLE STRAP FOR TRANS LEVER SHACKLE	\$40.00	
90846	SIZE: 5/8" x 8" BOLT FOR TRANS LEVER SHACKLE	\$15.00	 <p>Use Nut PN 90873</p>
90836	SIZE: 5/8" x 13" BOLT FOR MAIN LEVER SHACKLE, PV SCALES	\$17.00	
90815	SIZE: 5/8" x 16" BOLT FOR MAIN LEVER SHACKLE, PIT SCALE	\$18.00	

**RICE LAKE/POWELL**

# Individual Powell Scale Parts

(For scales built in Jasper, AL facility)

32.5 Ton/Sectional capacity, unless otherwise indicated

RL PART #	DESCRIPTION	SUGG. LIST	
90760	EQUIV. POWELL NO. 3118 SIZE: 1 3/8" x 3" x 18" NOSE IRON	\$245.00	
90176	EQUIV. POWELL NO. 3213 SIZE: 6"x 14" BASE x 12 3/4" MAIN LEVER STAND, PIT SCALES GIRDER CHAIR ROLL PIN PN 15288	\$284.00	
90166	EQUIV. POWELL NO. 3212 SIZE: 8" x 14" BASE x 20 1/4" HIGH BACKBONE STAND, PIT SCALE	\$280.00	
90167	EQUIV. POWELL NO. 3114 SIZE: 6" x 14" BASE 12 3/4" H STAND MAIN LEVER MAIN LEVER STAND, PIT SCALE	\$282.00	
90161	EQUIV. POWELL NO. 3112 SIZE: 2" x 5" x 9 1/2" STAND BACK BONE STAND, PORTABLE	\$235.00	
90162	EQUIV. POWELL NO. 3113 SIZE: 2" x 5" x 8 1/2" STAND MAIN LEVER STAND, PORTABLE	\$225.00	
69784	EQUIV. POWELL NO. 3101 SIZE: 3/4" x 5" x 12 3/8" 2 3/8" x 8 1/8" ID LINK, ALL MECHANICAL	\$86.00	
70596	EQUIV. POWELL NO. 3301 SIZE: 3/4" x 5" x 10 1/2" OD 2 1/4" x 6 3/4" ID ELECTRONIC TRUCK SCALES	\$80.00	

RICE LAKE/POWELL

# RICE LAKE/ POWELL KITS

RICE LAKE/POWELL

# Rice Lake ATV-M Powell Portable MC Parts Kits

## Kit No. P-1003K 2-Section

32.5 Ton Sectional  
Portable Scale Length 10', 20', 25'  
Pivot and Bearing Kit

QTY	RL PART #	DESCRIPTION
10.....	P716P.....	MAIN PIVOT
8.....	H624.....	MAIN BEARING
2.....	H655P.....	BACKBONE PIVOT
2.....	H691.....	BACKBONE BEARING
3.....	10797.....	NOSE IRON PIVOT
3.....	P701.....	PARALLEL STRAP WITH BEARING
2.....	P702.....	HORIZONTAL STRAP WITH BEARING
10.....	15280.....	ALIGNMENT PIN FOR BEARING

**\$1,291.00** Sugg. List / 50 lb Ship Wt.

## Kit No. 89051 2-Section

Portable Scale Length 30' and 35'

QTY	RL PART #	DESCRIPTION
12.....	P716P.....	MAIN PIVOT
10.....	H624.....	MAIN BEARING
0.....	H655P.....	BACKBONE PIVOT
0.....	H691.....	BACKBONE BEARING
3.....	10797.....	NOSE IRON PIVOT
3.....	P701.....	PARALLEL STRAP WITH BEARING
2.....	P702.....	HORIZONTAL STRAP WITH BEARING
10.....	15280.....	ALIGNMENT PIN FOR BEARING

**\$1,321.00** Sugg. List / 55 lb Ship Wt.

## Kit No. P-1004K 2-Section

Suspension Kit for P-1003K and 89051

QTY	RL PART #	DESCRIPTION
8.....	69784.....	LINK
4.....	71043.....	UPPER BLOCK WITHOUT BEARING
4.....	P707.....	UPPER BEARING PIN
4.....	P705.....	LOWER TRUNNION PIN
4.....	15288.....	PIN 3/8" X 1 1/2"

**\$2,035.00** Sugg. List / 130 lb Ship Wt

**RICE LAKE/POWELL**

# Rice Lake ATV-M/PT-M Powell Portable MC/MP Scale Parts

## Kit No. 71020 3-Section

32.5 Ton Sectional  
Portable Scale Lengths 35' and 40'  
Pivot and Bearing Kit

QTY	RL PART #	DESCRIPTION
16.....	P716P.....	MAIN PIVOT
13.....	H624.....	MAIN BEARING
2.....	H655P.....	BACKBONE PIVOT
2.....	H691.....	BACKBONE BEARING
4.....	10797.....	NOSE IRON PIVOT
4.....	P701.....	PARALLEL STRAP WITH BEARING
3.....	P702.....	HORIZONTAL STRAP WITH BEARING
15.....	15280.....	ALIGNMENT PIN FOR BEARING

**\$1,906.00** Sugg. List / 75 lb Ship Wt.

## Kit No. 107658 3-Section

Pit Scale Length 50'

QTY	RL PART #	DESCRIPTION
17.....	P716P.....	MAIN PIVOT
14.....	H624.....	MAIN BEARING
0.....	H655P.....	BACKBONE PIVOT
0.....	H691.....	BACKBONE BEARING
4.....	10797.....	NOSE IRON PIVOT
4.....	P701.....	PARALLEL STRAP WITH BEARING
3.....	P702.....	HORIZONTAL STRAP WITH BEARING
14.....	15280.....	ALIGNMENT PIN FOR BEARING

**\$1,782.00** Sugg. List / 75 lb Ship Wt

## Kit No. 107659 3-Section

Pit Scale Length 60'

QTY	RL PART #	DESCRIPTION
18.....	P716P.....	MAIN PIVOT
15.....	H624.....	MAIN BEARING
0.....	H655P.....	BACKBONE PIVOT
0.....	H691.....	BACKBONE BEARING
4.....	10797.....	NOSE IRON PIVOT
4.....	P701.....	PARALLEL STRAP WITH BEARING
3.....	P702.....	HORIZONTAL STRAP WITH BEARING
15.....	15280.....	ALIGNMENT PIN FOR BEARING

**\$1,936.00** Sugg. List / 80 lb Ship Wt

## Kit No. 71063 3-Section

Suspension Kit for 71020, 107658 and 107659

QTY	RL PART #	DESCRIPTION
12.....	69784.....	LINK
6.....	71043.....	UPPER BLOCK WITHOUT BEARING
6.....	P707.....	UPPER BEARING PIN
6.....	P705.....	LOWER TRUNNION PIN
6.....	15288.....	ROLL PIN

**\$3,053.00** Sugg. List / 195 lb Ship Wt

**RICE LAKE/POWELL**



# Rice Lake ATV-M Powell Portable MC Scale Parts

## Kit No. 107661 4-Section

32.5 Ton Sectional  
Portable Scale Length 50'  
Pivot and Bearing Kit

QTY	RL PART #	DESCRIPTION
20.....	P716P.....	MAIN PIVOT
16.....	H624.....	MAIN BEARING
4.....	H655P.....	BACKBONE PIVOT
4.....	H691.....	BACKBONE BEARING
5.....	10797.....	NOSE IRON PIVOT
5.....	P701.....	PARALLEL STRAP WITH BEARING
4.....	P702.....	HORIZONTAL STRAP WITH BEARING
20.....	15280.....	ALIGNMENT PIN FOR BEARING

**\$2,331.00** Sugg. List / 96 lb Ship Wt.

## Kit No. P-1001K 4-Section

Portable Scale Length 60' and 70'

QTY	RL PART #	DESCRIPTION
24.....	P716P.....	MAIN PIVOT
20.....	H624.....	MAIN BEARING
4.....	H655P.....	BACKBONE PIVOT
4.....	H691.....	BACKBONE BEARING
5.....	10797.....	NOSE IRON PIVOT
5.....	P701.....	PARALLEL STRAP WITH BEARING
4.....	P702.....	HORIZONTAL STRAP WITH BEARING
20.....	15280.....	ALIGNMENT PIN FOR BEARING

**\$2,811.00** Sugg. List / 100 lb Ship Wt.

## Kit No. P-1002K 4-Section

Suspension Kit for 107661 and P1001K

QTY	RL PART #	DESCRIPTION
16.....	69784.....	LINK
8.....	71043.....	UPPER BLOCK WITHOUT BEARING
8.....	P707.....	UPPER BEARING PIN
8.....	P705.....	LOWER TRUNNION PIN
8.....	15288.....	ROLL PIN

**\$4,070.00** Sugg. List / 255 lb Ship Wt

RICE LAKE/POWELL

# Rice Lake PT-M Powell MP Pit Scale Parts

## Kit No. 107660 4-Section

32.5 Ton Sectional  
Pit Scale Lengths 50', 60' and 70'  
Pivot and Bearing Kit

QTY	RL PART #	DESCRIPTION
23.....	P716P.....	MAIN PIVOT
19.....	H624.....	MAIN BEARING
0.....	H655P.....	BACKBONE PIVOT
0.....	H691.....	BACKBONE BEARING
5.....	10797.....	NOSE IRON PIVOT
5.....	P701.....	PARALLEL STRAP WITH BEARING
4.....	P702.....	HORIZONTAL STRAP WITH BEARING
19.....	15280.....	ALIGNMENT PIN FOR BEARING

**\$2,465.90** Sugg. List / 100 lb Ship Wt.

## Kit No. P-1002K 4-Section

Suspension Kit for 107660

QTY	RL PART #	DESCRIPTION
16.....	69784.....	LINK
8.....	71043.....	UPPER BLOCK WITHOUT BEARING
8.....	P707.....	UPPER BEARING PIN
8.....	P705.....	LOWER TRUNNION PIN
8.....	15288.....	ROLL PIN

**\$4,070.00** Sugg. List / 255 lb Ship Wt

**RICE LAKE/POWELL**

# Rice Lake ATV-M Powell Portable MC Scale Parts

## Kit No. 107664 5-Section

32.5 Ton Sectional  
Portable Scale Length 70'  
Pivot and Bearing Kit

QTY	RL PART #	DESCRIPTION
28.....	P716P.....	MAIN PIVOT
23.....	H624.....	MAIN BEARING
2.....	H655P.....	BACKBONE PIVOT
2.....	H691.....	BACKBONE BEARING
6.....	10797.....	NOSE IRON PIVOT
6.....	P701.....	PARALLEL STRAP WITH BEARING
5.....	P702.....	HORIZONTAL STRAP WITH BEARING
20.....	15280.....	ALIGNMENT PIN FOR BEARING

**\$3,131.00** Sugg. List / 125 lb Ship Wt.

# Rice Lake PT-M Powell MP Pit Scale Parts

## Kit No. 107662 5-Section

32.5 Ton Sectional  
Pit Scale Length 70' and 80'  
Pivot and Bearing Kit

QTY	RL PART #	DESCRIPTION
29.....	P716P.....	MAIN PIVOT
24.....	H624.....	MAIN BEARING
0.....	H655P.....	BACKBONE PIVOT
0.....	H691.....	BACKBONE BEARING
6.....	10797.....	NOSE IRON PIVOT
6.....	P701.....	PARALLEL STRAP WITH BEARING
5.....	P702.....	HORIZONTAL STRAP WITH BEARING
24.....	15280.....	ALIGNMENT PIN FOR BEARING

**\$3,080.00** Sugg. List / 125 lb Ship Wt.

## Kit No. 107663 5-Section

Suspension Kit for 107662 and 107664

QTY	RL PART #	DESCRIPTION
20.....	69784.....	LINK
10.....	71043.....	UPPER BLOCK WITHOUT BEARING
10.....	P707.....	UPPER BEARING PIN
10.....	P705.....	LOWER TRUNNION PIN
10.....	15288.....	ROLL PIN

**\$5,088.00** Sugg. List / 255 lb Ship Wt

RICE LAKE/POWELL

# Rice Lake ATV-M Powell Portable MC Pit Scale Parts

## Kit No. 71021 6-Section

32.5 Ton Sectional  
Pit Scale Lengths 70' and 80'  
Pivot and Bearing Kit

QTY	RL PART #	DESCRIPTION
32.....	P716P.....	MAIN PIVOT
26.....	H624.....	MAIN BEARING
4.....	H655P.....	BACKBONE PIVOT
4.....	H691.....	BACKBONE BEARING
7.....	10797.....	NOSE IRON PIVOT
7.....	P701.....	PARALLEL STRAP WITH BEARING
6.....	P702.....	HORIZONTAL STRAP WITH BEARING
30.....	15280.....	ALIGNMENT PIN FOR BEARING

**\$3,721.00** Sugg. List / 145 lb Ship Wt.

## Kit No. 71062 6-Section

Suspension Kit for 71021

QTY	RL PART #	DESCRIPTION
24.....	69784.....	LINK
12.....	71043.....	UPPER BLOCK WITHOUT BEARING
12.....	P707.....	UPPER BEARING PIN
12.....	P705.....	LOWER TRUNNION PIN
12.....	15288.....	ROLL PIN

**\$6,106.00** Sugg. List / 385 lb Ship Wt

**RICE LAKE/POWELL**



# TECHNICAL SUPPORT

TECHNICAL SUPPORT

# UNDERSTANDING PIVOTS AND BEARINGS

## 1.0 INTRODUCTION

---

Levers are used to support the platform and transmit force throughout the scale. However, without pivots and bearings to support the levers, they are useless. Precision machining of pivots and bearings is necessary to ensure as little friction as possible is present in the lever system. This lesson will help you:

- Identify types of pivots and bearings
- Identify proper pivot and bearing hardening techniques
- Identify proper grinding and honing techniques
- Identify sources of avoidable and unavoidable friction
- Define range and sensitivity

## 2.0 PIVOTS AND BEARINGS

In studying levers we will talk about fulcrum, load and power points. Levers are supported at these points by pivots and bearings. Pivots are knife edges which rest in bearings to provide not only support, but as little friction and freedom to turn as possible. Of course it is not possible to totally eliminate friction, but its effects can be minimized. Pivots and bearings are designed so they can be removed and replaced. Pivots and bearings take the hardest wear and abuse of all scale parts.

### 2.1 Pivot Types

All pivots are designed to provide lever support with minimum friction. Since there are various scale manufacturers and designs available, the types of pivots that are used will vary.

#### Teardrop Pivot

The teardrop pivot derives its name from its shape. See Figure 1.

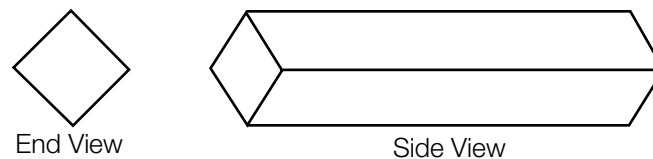


**FIGURE 1**

Teardrop pivots are used in scales up to 1000 lb capacity, feed mill scales, and beam scales. Other names for the teardrop pivot are the pear-shaped and pippin-shaped pivots. They are usually made from an amalgam of hardenable steel with a low carbon steel backing.

#### Square Pivot

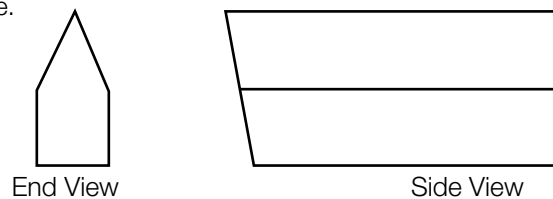
Square pivots have four edges. Some square pivots have all four edges ground so they can be turned when one edge becomes worn. Some have three edges knocked off so they can be used only one way. They are used on Thurman and Cardinal hopper levers, and to support weigh beams. They are simple to change as they do not need to be gauged. Some square pivots are welded in place. Square pivots are sometimes called diamond pivots.



**FIGURE 2**

#### Block Pivot

Block pivots are also called pentagonal pivots because they have five sides. The tapered block pivot is flat on one side and machined to a knife edge on the opposite side. The pivot shown has one end tapered to provide minimum contact with the friction plate.

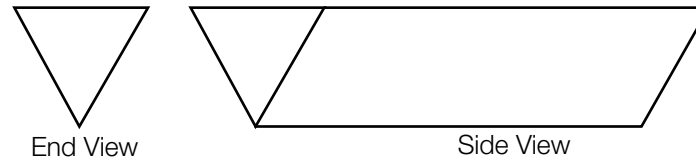


**FIGURE 3**



## Triangular Knife Edge

The triangular pivoted or knife edge is used in precision balances of capacities up to 5 kg. They are made of agate, stellite or high-carbon alloy steel.



**FIGURE 4**

## 2.2 Pivot Requirements

A pivot point must retain the following characteristics over a reasonable time frame.

### Sensitivity

A good knife edge in theory makes contact at one single point. However magnification of the edge will show some rounding. The rounding can be nonpermanent (elastic) or permanent. Wear will also cause increases in radius development. The bearing associated with this pivot will also yield to pivot pressure and will develop a rounded groove. The less contact the pivot makes with the bearing the more sensitive the pivot.

### Accuracy

Accuracy can be affected if the pivots do not return to their correct seating position. This can be caused by friction. The tendency to not return to their proper position is more pronounced with radiused and “V” bearings than with the flat bearings.

### Mechanical Stability

A pivot is caused to be mechanically unstable when subjected to shock loading and/or lateral forces when loading or unloading. Means must be provided to ensure that knife edges are not easily disturbed from their normal working positions and if disturbed come back to their original positions.

### Range of Movement

The angle of the knife edge must be sufficiently acute and the angle of the bearing must be sufficiently obtuse to provide sufficient range of movement and to withstand dirt buildup.

### Strength

There can be considerable pressure on the knife edge because of the weight of the platform and live load. The knife edge must be able to withstand pressures on the order of 22 tons/cm<sup>2</sup>

### Durability

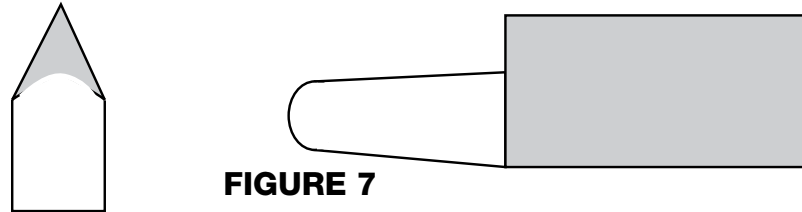
Application of a load on a truck scale will cause immediate flattening of the knife edge. Subsequent loading will not cause further flattening. However deterioration of the edge continues even where a pivot has been subjected to maximum loading early in its life. The radiusing of the knife edge increases by abrasion, proportional to the angular movement. Wear is also caused by shock loading, erosion and movement of the pivots in their bearings. A knife edge with an obtuse angle is more durable than one with an acute angle. Wear is increased rapidly if the angle of movement is greater than 5°. Some stainless steel has been used but the hardness requirement is difficult to meet.

## 2.3 Hardening

Pivots and steel bearings are made from a steel alloy which gives the following properties:

- Hardness for wear resistance
  
- Toughness or strength
  
- Quality of not deforming during heat treatment
  
- Resistance to staining and corrosion

All pivots and bearings must be heat treated for hardness and tempered at the pivot knife edge and the bearing contact point. The pivot should be as hard as the bearing and vice-versa. Under large loads pivots may mushroom, but if manufactured correctly, they will return to their original shape. A pivot should be hardened as shown in Figure 7.



**FIGURE 7**

If the entire pivot or bearing is completely hardened and tempered, it will become brittle and crack under extreme loads. Conversely, if it is soft, it will wear out quickly and cause friction. Pivots and bearings, because of their hardness, very seldom wear out. Their biggest enemy is corrosion. To prevent corrosion while they are being stored pivots and bearings are plated with nickel. However, under normal use the nickel will wear off. That is why it is necessary to grease bearings to keep them from corroding.

## Lapping

Lapping is the cutting or polishing of a surface with a lap. A lap is a tool made from soft metal (brass or aluminum) used to sharpen a pivot or bearing. Lapping sharpens the edge of the pivot or frees the pivot or bearing from scratches or gouges. Lapping must be done equally on both sides of the pivot or the angle will change, which will cause a change in lever ratio. Lapping takes off just a small portion of the surface.

## Grinding

In some cases it may be necessary to grind a pivot to smooth rough surfaces. Grinding can change the location of the pivot edge, thus changing the lever multiple. It is also possible to disturb the parallel of the knife edge which will cause friction. Care must be taken when grinding as case-hardened materials may have their hardness ground away. This leaves a soft metal which will not be able to stand up to the normal rigors of scale operation. In this case the part must be replaced. It is more advantageous to replace pivots than to grind them. Sometimes you have no choice but to grind if the pivots/bearings are not readily available. The heat produced during grinding can jeopardize the pivot hardness.



**FIGURE 8**

## Honing

Honing a pivot is accomplished to change a lever's ratio. Honing changes the position of the knife edge in relationship to the distance to the knife edge on another pivot. Honing is used to lengthen or shorten the distance between the load and fulcrum pivots.

To hone a load pivot that is fast, you must hone the side of the load pivot farthest away from the fulcrum pivot which shortens the distance between the two knife edges, increasing the ratio. To hone a load pivot that is slow, you must hone the side of the load pivot nearest the fulcrum pivot, which lengthens the distance between the two knife edges, decreasing the ratio.

A small, coarse handstone is normally used for honing. Do not use a file! Do not make a major change in the angle of the pivot side or the pivot will not seat properly in the bearing. The pivot also will bind, causing friction and repeatability problems.

## 2.4 Friction

Since scales are mechanical devices they contain moving parts. When parts move against one another friction develops. It is impossible to eliminate all friction but its effects can be decreased. We will look at causes of unavoidable and avoidable friction with regard to scales.

### 2.4.1 Unavoidable Friction

Surface resistance of a pivot edge as it revolves on the bearing surface is a source of unavoidable friction. Even a fine razor edge has a surface. No matter how fine the edge of the pivot is, it will develop a small radius because it cannot withstand the strain of load. After some usage the pivot edge will wear down to a point where it will be able to withstand the load strain for years without affecting the scale accuracy. Figure 9 shows a teardrop pivot before use. Figure 10 shows the same pivot after it has worn to the point where it will give years of service.

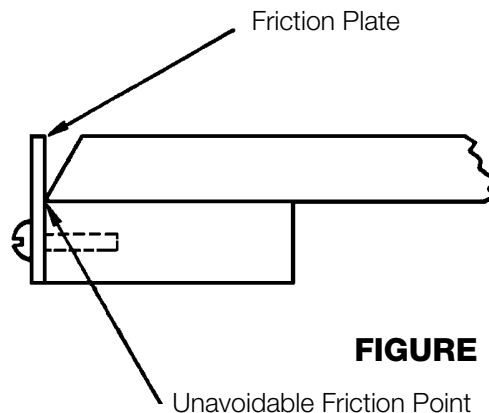


**FIGURE 9**



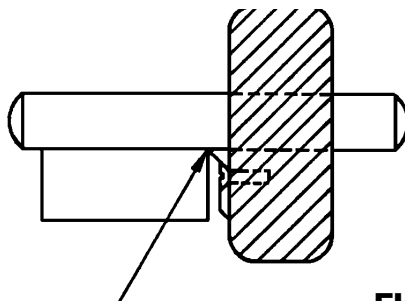
**FIGURE 10**

Another source of unavoidable friction is the antifriction plate. The antifriction plate keeps the pivot and/or bearing from sliding out of place. The antifriction plate is often called a "friction plate" or just a "friction." The use of a friction plate in Figure 11 is the ideal method. The contact between the end of the pivot and the friction plate is reduced to a minimum.



**FIGURE 11**

This method should be used where economy will allow and when it is technically possible. This method is being used more frequently because of its dependability. Rough handling can cause the pivot tip and/or the plate to break.



Unavoidable Friction Point

**FIGURE 12**

The method shown in Figure 12 is commonly used on the understructures of commercial and industrial scales. It is cheaper to build and the friction plate is reinforced by the lever body and is less likely to break. Rough handling is less likely to break this antifriction system.

### 2.4.2 Avoidable Friction

Improperly made and/or aligned bearings can be a source of avoidable friction. Normally if the bearing is bad, the pivot is also bad. A sharp pivot and smooth bearing equal minimal friction. Using the wrong pivot can cause friction. The scale understructure generally receives a severe punishment when being loaded and unloaded. Therefore, it is not advisable to use a sharp bottom “V” bearing in the understructure. As the fine edge of the pivot wears it will jam into the sharply lapped bearing bottom. Round bottom “V” bearings are much more suited for understructure applications.

A soft, blunt, or broken pivot tip and/or coarsely finished antifriction plate (steel) can be sources of friction. A crooked pivot will also cause tension and friction, as will soft pivots and bearings. A soft pivot dulls quickly and soft metal has a tendency to cling. A hard and sharp pivot edge will cut its way through bearings that are too soft, restricting the pivot’s ability to rotate.

Incorrect pivot installation will cause friction. If the pivot is tapered on one end it is to be installed in one direction only. The tapered end must fit against the friction plate. This makes sure the pivot touches the friction steel at only one point. If a non-tapered edge touches the friction plate there will be an increase of friction and binding. Friction plates keep the levers from sliding out of position, thus reducing friction. Frictions are hard and brittle and can break. Hardness of the pivot must match the hardness of the friction plate. If the pivot is harder than the plate, a groove will be worn into the friction plate and the pivot can be come caught and bind in the groove. It may be possible to take the nick out out the friction plate by grinding. If the plate is case hardened (hardened to only a certain depth) you may grind to soft metal. This will cause quick wearing of the friction plate and replacement with a friction plate of the correct hardness will be required.

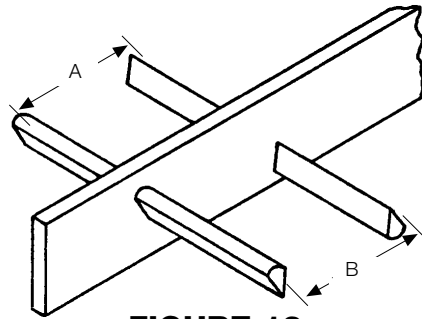
There are other sources of friction, such as the steelyard rod rubbing against something or the platform rubbing against the frame. Keep all moving parts at a safe distance from stationary parts.

## 2.5 Parallel

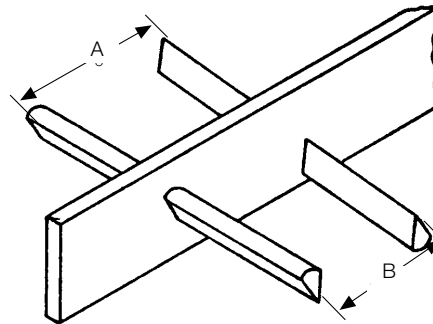
The pivots must be straight, sharp and hard to eliminate friction and function with precision. They must also run parallel to each other on two planes.

### Gauge Parallel

Figure 13 shows pivots in proper gauge parallel. (Distance A = Distance B)



**FIGURE 13**

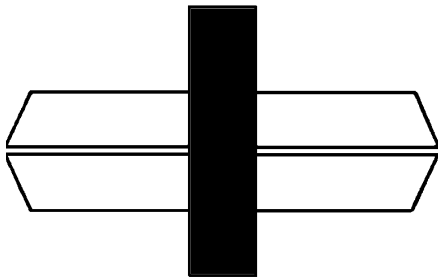


**FIGURE 14**

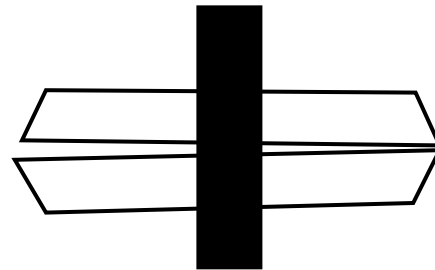
The pivots in Figure 14 are NOT in proper gauge parallel. (Distance A is greater than Distance B). The ratio of the lever is smaller at A than at B. The pivots of a lever must have a certain amount of end play in their bearing to ensure freedom of movement. Because of this end play the levers can change their positions. When this occurs there will be a change in ratio with resultant inconsistent indication.

### Plane Parallel

Pivots also must be parallel to each other in a 90° plane; use a pivot gauge to measure. See Figure 15 for pivots in correct plane parallel.



**FIGURE 15**



**FIGURE 16**

Figure 16 illustrates pivots not in proper plane parallel. Pivots set in this manner will cause inconsistency. The bearings will have a tendency to slide down on the sloping pivot and jam against the friction points, causing friction. The lever will be less sensitive besides having poor repeatability.

## 2.6 Service Tips

- Use an old file to check pivot hardness. If the pivot is hard, it will cut the teeth of the file.
- When installing pivots, use round stock, or preferably a brass hammer. A hardened hammer can break the pivot.
- Use a pivot gauge when measuring.
- If the scale is not returning to zero, check for cut or worn bearings to be replaced or lapped. In a small capacity scale, cut bearings will have a large affect, while in large capacity scales, cut bearings may work well.
- When pounding out pivots, place a block behind the lever to support the lever casting. Without support the lever may break when pounded.

### 3.0 SENSITIVITY

Sensitivity is the amount of structural displacement caused by the addition of any weight to any portion of a balanced structure.

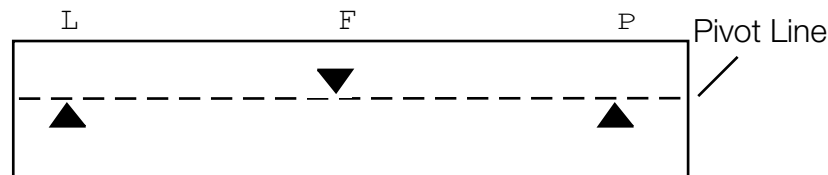
The degree or amount of sensitivity depends on the distribution of mass above and below the fulcrum point of a lever.

When we talk about sensitivity in conjunction with scales, we are referring to the amount of beam travel from balance position to a new point of equilibrium.

*NOTE:* A beam is a graduated lever used to balance a scale. Weight can be read from the beam graduations.

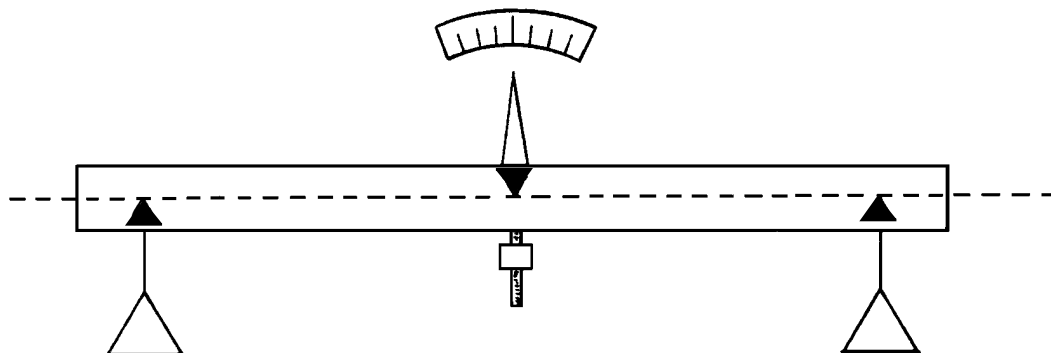
#### 3.1 Neutral Lever

If the pivot edges of a lever are on a straight line, see Figure 17, and the mass of the lever is equally distributed above, below, right and left of the edge of the fulcrum pivot, the lever will be neutral.



**FIGURE 17**

If the body of the lever is slightly heavier below the fulcrum pivot a pendulum effect will be created. The heavier the mass below the fulcrum pivot, the less sensitive the lever will be.



**FIGURE 18**

Figure 18 shows a neutral lever with an indicator and gravity ball attached. If a pan is hung on the load and power pivots the lever becomes an equal arm scale. The gravity ball will stabilize the otherwise neutral lever. The sensitivity can be increased by raising the gravity ball or decreased by lowering the gravity ball.

#### Gravity

All objects, including levers, have a center of gravity. If an object is suspended by its center of gravity it will remain motionless until an external force is applied. We can say the lever is balanced. If the lever is moved in any direction it will stop in the position it is moved to. It will remain in this position until an external force is again exerted on it.

If we suspend the lever at a point below its center of gravity the lever will become top heavy and unstable. It will turn on its axis or fulcrum. The change in position will not be abrupt, but be preceded by oscillations caused by its momentum. The number of oscillations will depend on friction and the amount of fulcrum displacement from the center of gravity.

If we suspend the lever at a point above its center of gravity the lever will become very stable. However, it will also become very insensitive.

Let's refer back to our equal arm scale in Figure 18.

With the indicator pointing to the chart centerline we will place a 1/4 ounce weight on the right hand pan, moving the indicator to the right, two graduations. We will then remove the 1/4 ounce weight and the indicator points again to the center. Now we will place a 10 pound weight on each pan. Again we have a centerline indication. If the lever is solid and does not deflect under the load, a 1/4 ounce weight placed in the right hand pan will again move the indicator to the second graduation. This indicates that the sensitivity of the lever is constant. The reason the sensitivity is constant is because all pivots are in a straight line. In other words adding weight to the load and power pivots adds weight even with the fulcrum pivot, not above it nor below it.

### 3.2 Open Range

If the edges of the load and power pivots are below the straight line passing under the edge of the fulcrum pivot (see Figure 19) the lever would have what is referred to as OPEN RANGE.

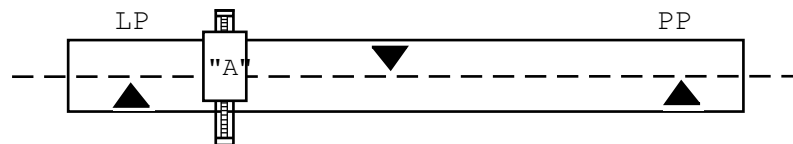


FIGURE 19

If we raise the gravity ball the sensitivity may be increased to the point of neutrality or even to instability if we raise it far enough.

However, when weight is placed on the load and power pivots, the sensitivity will decrease. The bigger the load the less sensitive the lever will be. Remember the load and power pivots are below the fulcrum pivot line, so when weight is added to the load and power pivots, the weight is being added below the fulcrum pivot. The results are decreased sensitivity and increased stability.

### 3.3 Closed Range

Let's look at a lever that is said to have CLOSED RANGE. (Figure 20)

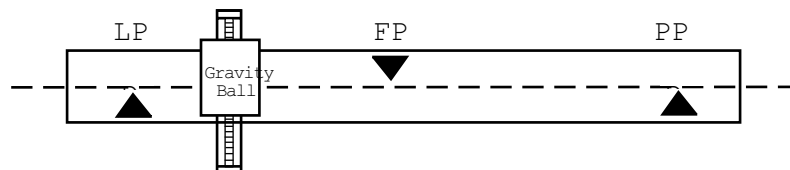


FIGURE 20

A lever is said to have closed range when the edges of the load and power pivots are higher than the edge of the fulcrum pivot.

When pans are hung on the power and load pivots the lever will be unstable (top heavy). The lever can be stabilized by lowering its gravity ball which increases the mass below the fulcrum pivot.

As the pans are loaded, the increasing load will gradually overcome the stabilizing effect of the gravity ball. This is true because the weight is felt at the loaded power pivots which are located above the fulcrum pivot line. As the weight increases it will first cause neutrality and finally a top heavy, unstable condition.

### 3.4 Lever Deflection

To construct a lever or weighbeam with no deflection, it may be necessary to over-dimension the body, making it very clumsy and heavy. Because of its great inertia, the lever would require more time to pick up momentum when changing directions during oscillation.

To ensure a reasonably uniform sensitivity, a slightly closed range can be used.

Levers are usually made as light as possible to decrease the weight of the lever system, minimize inertia, and to save material.

If the deflection is not too great and is temporary, it can be compensated by a closed range in the pivot line. A permanent deflection will render a scale useless. Deflection in any lever will decrease its sensitivity. If the lever is incorrectly proportioned it will change its ratio. A correctly proportioned lever with, let's say, a 10:1 ratio must have a similar deflection factor. If the load arm deflects .001" then the power arm should deflect .001" to maintain the lever ratio.

Closed range, to compensate for deflection, can be utilized only in scales with predetermined, one-spot indication (beam scales) or in a scale equipped with balance indicators that only have a zero indication. Scales with graduated charts (each graduation representing a certain weight value) must not utilize closed or open range.

Using a neutral pivot line on a flexible lever would result in gradual loss of sensitivity due to the increase in mass below the fulcrum pivot as the load and power pivots deflect downward.

Levers and beams are usually constructed so the larger mass of the lever body is below the pivot line. This produces sufficient pendulum action to stabilize the scale. Closed range has an opposite effect, causing the scale to become unstable.

The stabilizing effect of the lever body has to be greater than the unstabilizing effect of the closed range when the scale is unloaded. As the scale is being loaded, a gradual deflection will take place which will eventually eliminate the range. This stabilizing effect of the lever body must remain active until the load and power pivots sink to the level of the fulcrum pivot. Should the stabilizing effect of the lever mass be insufficient and become nullified before the pivot line becomes neutral, the scale will become unstable at this point. A further increase in load will result in a gradually increasing loss of sensitivity.

## 4.0 Sensitivity Requirement (SR)

---

The sensitivity of a scale is the distance the beam or indicator travels when a certain unit of weight is placed on the scale platform. The term "sensitivity" is NOT the same as the sensitivity requirement or SR.

SR is the amount of weight necessary to make the scale travel a certain specified distance. The SR requirements for commercial scales vary depending on the type of scale. SR tolerances are prescribed in Handbook 44.





















